

ENGLISH

ITALIANO

ESPAÑOL

PORTUGUÊS

Hisense

USE AND INSTALLATION INSTRUCTIONS

AKT26UR4RK8
AKT35UR4RK8
AKT40UR4RK8
AKT52UR4RK8




Thank you very much for purchasing this Air Conditioner. Please read this use and installation instructions carefully before installing and using this appliance and keep this manual for future reference.

Contents

Caution Statements	1
Safety Precautions.....	3
Composition of the Air-Conditioner	8
Operation Manual	
Special Remarks.....	10
Trouble Shooting.....	10
Installation and Maintenance	
1. Safety Notice	12
2. The Tools and Instruments for Installation	13
3. The Installation of the Indoor Unit	13
3.1 Before Installation	13
3.2 Installation Location	15
3.3 Exposed Installation.....	16
3.4 Half Concealed Installation	21
3.5 Concealed Installation.....	23
4. Electrical Wiring	24
4.1 General Check	24
4.2 Electrical Wiring Diagram.....	24
4.3 Electrical Data	25
5. Test Run	25

CAUTION Statements

Alert Symbols:

-  **DANGER** : The symbol refers to a hazard which can result in severe personal injury or death.
-  **WARNING** : The symbol refers to a hazard or an unsafe practice which may result in severe personal injury or death.
-  **CAUTION** : The symbol refers to a hazard or an unsafe practice which may result in personal injury, product or property damage.
- NOTE** : It refers to the remarks and instruction to the operation, maintenance, and service.

- This air-conditioner should be installed properly by qualified personnel in accordance with the installation instructions provided with the unit.
- Before installation, check if the voltage of the power supply at installation site is the same as the voltage shown on the nameplate.

 **DANGER**

- You must not carry on any transformation to this product, otherwise, it may cause water leakage, breakdown, short-circuit, electric shock, fire, and so on.
- Piping, welding and other such works should be carried out far away from the flammable explosive material vessels, including the air-conditioner refrigerant, to guarantee the security of the site.
- To protect the air-conditioner from heavy corrosion, avoid installing the outdoor unit where sea water can splash directly onto it or in sulphurous air near a spa. Do not install the air-conditioner where excessively high heat-generating objects are placed.

 **WARNING**

- If the supply cord is damaged, it must be replaced by the factory or its service department in case of danger.
- The place where this product is installed must have the reliable electrical grounding facility and protection. Please do not connect the grounding of this product to various kinds of air-feeding ducts, drain piping, lightning protection facility as well as other piping lines to avoid receiving an electric shock and damages caused by other factors.
- Wiring must be done by a qualified electrician. All the wiring must comply with the local electrical codes.
- Consider the capacity of the electric current of your electrical meter and socket before installation.
- The power wire where this product is installed is supposed to have the independent leakage protective device and the electric current over-load protection device which are provided for this product.
- This appliance is not intended for use by persons (including children) with reduced physical, sensory or mental capabilities, or lack of experience and knowledge, unless they have been given supervision or instruction concerning use of the appliance by a person responsible for their safety.
- Children should be supervised to ensure that they do not play with the appliance.
- Means for disconnection, which can provide full disconnection in all poles, must be incorporated in the fixed wiring in accordance with the wiring rules.

- **Read this manual carefully before using this air-conditioner. If you still have any difficulties or problems, consult your dealer for help.**
- **The air-conditioner is designed to provide you with comfortable room conditions. Use this unit only for its intended purpose as described in this instruction manual.**

CAUTION Statements

WARNING

- Never use gasoline or other inflammable gas near the air-conditioner, which is very dangerous.
- When the air conditioner operation is abnormal, such as burnt smell, deformation, fire, smoke, and so on, it is forbidden to continue using the air conditioner, the main power switch of the air conditioner must be cut off immediately and the agent must be contacted.

CAUTION

- Do not turn the air-conditioner on or off from the main power switch. Use the ON/OFF operation button.
- Do not stick anything into the air inlet and air outlet of both the indoor and outdoor units. This is dangerous because the fan is rotating at a high speed.
- Do not cool or heat the room too much if babies or invalids are present.
- The method of connection of the appliance to the electrical supply and interconnection of separate components, and the wiring diagram with a clear indication of the connections and wiring to external control devices and supply cord are detailed in below parts.
- The cord of the H07RN-F type or the electrically equivalent type must be used for power connection and interconnection between outdoor unit and indoor unit. The size of the cord is detailed in outdoor instruction manual.
- Type and rating of circuit breakers / ELB are detailed in outdoor instruction manual.
- The information of dimensions of the space necessary for correct installation of the appliance including the minimum permissible distances to adjacent structures is detailed in below parts.

NOTE:

- **Storage condition:** Temperature -25~60°C
Humidity 30%~80%
- **Heating and electric heater function are not available for cooling only models.**

Precautions for using R32 refrigerant

The basic installation work procedures are the same as the conventional refrigerant (R22 or R410A). However, pay attention to the following points:

WARNING

1. Transport of equipment containing flammable refrigerants.

Attention is drawn to the fact that additional transportation regulations may exist with respect to equipment containing flammable gas. The maximum number of pieces of equipment or the configuration of the equipment, permitted to be transported together will be determined by the applicable transport regulations.

2. Marking of equipment using signs

Signs for similar appliances (containing flammable refrigerants) used in a work area generally are addressed by local regulations and give the minimum requirements for the provision of safety and/or health signs for a work location. All required signs are to be maintained and employers should ensure that employees receive suitable and sufficient instruction and training on the meaning of appropriate safety signs and the actions that need to be taken in connection with these signs. The effectiveness of signs should not be diminished by too many signs being placed together. Any pictograms used should be as simple as possible and contain only essential details.

3. Disposal of equipment using flammable refrigerants

Compliance with national regulations

4. Storage of equipment/appliances

The storage of equipment should be in accordance with the manufacturer's instructions.

5. Storage of packed (unsold) equipment

- Storage package protection should be constructed such that mechanical damage to the equipment inside the package will not cause a leak of the refrigerant charge.
- The maximum number of pieces of equipment permitted to be stored together will be determined by local regulations.

6. Information on servicing

6-1 Checks to the area

Prior to beginning work on systems containing flammable refrigerants, safety checks are necessary to ensure that the risk of ignition is minimized. For repair to the refrigerating system, the following precautions should be complied with prior to conducting work on the system.

6-2 Work procedure

Work shall be undertaken under a controlled procedure so as to minimise the risk of flammable gas or vapour being present while the work is being performed.

6-3 General work area

- All maintenance staff and others working in the local area shall be instructed on the nature of work being carried out. Work in confined spaces shall be avoided.
- The area around the workspace shall be sectioned off. Ensure that the conditions within the area have been made safe by control of flammable material.

6-4 Checking for presence of refrigerant

- The area shall be checked with an appropriate refrigerant detector prior to and during work, to ensure the technician is aware of potentially flammable atmospheres.
- Ensure that the leak detection equipment being used is suitable for use with flammable refrigerants, i.e. non-sparking, adequately sealed or intrinsically safe.

6-5 Presence of fire extinguisher

- If any hot work is to be conducted on the refrigeration equipment or any associated parts, appropriate fire extinguishing equipment shall be available to hand.
- Have a dry powder or CO₂ fire extinguisher adjacent to the charging area.

6-6 No ignition sources

- No person carrying out work in relation to a refrigeration system which involves exposing any pipe work that contains or has contained flammable refrigerant shall use any sources of ignition in such a manner that it may lead to the risk of fire or explosion.
- All possible ignition sources, including cigarette smoking, should be kept sufficiently far away from the site of installation, repairing, removing and disposal, during which flammable refrigerant can possibly be released to the surrounding space.
- Prior to work taking place, the area around the equipment is to be surveyed to make sure that there are no flammable hazards or ignition risks. "No Smoking" signs shall be displayed.

6-7 Ventilated area

- Ensure that the area is in the open or that it is adequately ventilated before breaking into the system or conducting any hot work.
- A degree of ventilation shall continue during the period that the work is carried out.
- The ventilation should safely disperse any released refrigerant and preferably expel it externally into the atmosphere.

6-8 Checks to the refrigeration equipment

- Where electrical components are being changed, they shall be fit for the purpose and to the correct specification.
- At all times the manufacturer's maintenance and service guidelines shall be followed. If in doubt consult the manufacturer's technical department for assistance.

WARNING

- The following checks shall be applied to installations using flammable refrigerants:
 - The charge size is in accordance with the room size within which the refrigerant containing parts are installed;
 - The ventilation machinery and outlets are operating adequately and are not obstructed;
 - If an indirect refrigerating circuit is being used, the secondary circuit shall be checked for the presence of refrigerant;
 - Marking to the equipment continues to be visible and legible. Markings and signs that are illegible shall be corrected;
 - Refrigeration pipe or components are installed in a position where they are unlikely to be exposed to any substance which may corrode refrigerant containing components, unless the components are constructed of materials which are inherently resistant to being corroded or are suitably protected against being so corroded.

6-9 Checks to electrical devices

- Repair and maintenance to electrical components shall include initial safety checks and component inspection procedures.
- If a fault exists that could compromise safety, then no electrical supply shall be connected to the circuit until it is satisfactorily dealt with.
- If the fault cannot be corrected immediately but it is necessary to continue operation, an adequate temporary solution shall be used.
- This shall be reported to the owner of the equipment so all parties are advised.
- Initial safety checks shall include:
 - That capacitors are discharged: this shall be done in a safe manner to avoid possibility of sparking;
 - That there no live electrical components and wiring are exposed while charging, recovering or purging the system;
 - That there is continuity of earth bonding.

7. Repairs to sealed components

- During repairs to sealed components, all electrical supplies shall be disconnected from the equipment being worked upon prior to any removal of sealed covers, etc.
- If it is absolutely necessary to have an electrical supply to equipment during servicing, then a permanently operating form of leak detection shall be located at the most critical point to warn of a potentially hazardous situation.
- Particular attention shall be paid to the following to ensure that by working on electrical components, the casing is not altered in such a way that the level of protection is affected.
- This shall include damage to cables, excessive number of connections, terminals not made to original specification, damage to seals, incorrect fitting of glands, etc.
- Ensure that apparatus is mounted securely.
- Ensure that seals or sealing materials have not degraded such that they no longer serve the purpose of preventing the ingress of flammable atmospheres.
- Replacement parts shall be in accordance with the manufacturer's specifications.
NOTE: The use of silicon sealants may inhibit the effectiveness of some types of leak detection equipment. Intrinsically safe components do not have to be isolated prior to working on them.

8. Repair to intrinsically safe components

- Do not apply any permanent inductive or capacitance loads to the circuit without ensuring that this will not exceed the permissible voltage and current permitted for the equipment in use.
- Intrinsically safe components are the only types that can be worked on while live in the presence of a flammable atmosphere. The test apparatus shall be at the correct rating.
- Replace components only with parts specified by the manufacturer.
- Other parts may result in the ignition of refrigerant in the atmosphere from a leak.

9. Cabling

- Check that cabling will not be subject to wear, corrosion, excessive pressure, vibration, sharp edges or any other adverse environmental effects.
- The check shall also take into account the effects of aging or continual vibration from sources such as compressors or fans.

WARNING

10. Detection of flammable refrigerants

- Under no circumstances shall potential sources of ignition be used in the searching for or detection of refrigerant leaks.
- A halide torch (or any other detector using a naked flame) shall not be used.

11. Leak detection methods

The following leak detection methods are deemed acceptable for systems containing flammable refrigerants:

- Electronic leak detectors shall be used to detect flammable refrigerants, but the sensitivity may not be adequate, or may need re-calibration. (Detection equipment shall be calibrated in a refrigerant-free area.)
- Ensure that the detector is not a potential source of ignition and is suitable for the refrigerant used.
- Leak detection equipment shall be set at a percentage of the LFL of the refrigerant and shall be calibrated to the refrigerant employed and the appropriate percentage of gas (25 % maximum) is confirmed.
- Leak detection fluids are suitable for use with most refrigerants but the use of detergents containing chlorine shall be avoided as the chlorine may react with the refrigerant and corrode the copper pipe-work.
- If a leak is suspected, all naked flames shall be removed/ extinguished.
- If a leakage of refrigerant is found which requires brazing, all of the refrigerant shall be recovered from the system, or isolated (by means of shut off valves) in a part of the system remote from the leak.
- Oxygen free nitrogen (OFN) shall then be purged through the system both before and during the brazing process.

12. Removal and evacuation

- When breaking into the refrigerant circuit to make repairs – or for any other purpose –conventional procedures shall be used.
- However, it is important that best practice is followed since flammability is a consideration.
- The following procedure shall be adhered to:
 - Remove refrigerant;
 - Purge the circuit with inert gas;
 - Evacuate;
 - Purge again with inert gas;
 - Open the circuit by cutting or brazing.
- The refrigerant charge shall be recovered into the correct recovery cylinders.
- The system shall be “flushed” with OFN to render the unit safe.
- This process may need to be repeated several times.
- Compressed air or oxygen shall not be used for this task.
- Flushing shall be achieved by breaking the vacuum in the system with OFN and continuing to fill until the working pressure is achieved, then venting to atmosphere, and finally pulling down to a vacuum.
- This process shall be repeated until no refrigerant is within the system. When the final OFN charge is used, the system shall be vented down to atmospheric pressure to enable work to take place.
- This operation is absolutely vital if brazing operations on the pipe-work are to take place.
- Ensure that the outlet for the vacuum pump is not close to any ignition sources and there is ventilation available.

13. Charging procedures

- In addition to conventional charging procedures, the following requirements shall be followed:
 - Ensure that contamination of different refrigerants does not occur when using charging equipment.
 - Hoses or lines shall be as short as possible to minimise the amount of refrigerant contained in them.
 - Cylinders shall be kept upright.
 - Ensure that the refrigeration system is earthed prior to charging the system with refrigerant.
 - Label the system when charging is complete (if not already).
 - Extreme care shall be taken not to overfill the refrigeration system.
 - Prior to recharging the system it shall be pressure tested with OFN.
- The system shall be leak tested on completion of charging but prior to commissioning.
- A follow up leak test shall be carried out prior to leaving the site.

14. Decommissioning

Before carrying out this procedure, it is essential that the technician is completely familiar with the equipment and all its detail.
It is recommended good practice that all refrigerants are recovered safely.

WARNING

Prior to the task being carried out, an oil and refrigerant sample shall be taken in case analysis is required prior to re-use of reclaimed refrigerant. It is essential that electrical power is available before the task is commenced.

- a) Become familiar with the equipment and its operation.
- b) Isolate system electrically.
- c) Before attempting the procedure ensure that:
 - Mechanical handling equipment is available, if required, for handling refrigerant cylinders;
 - All personal protective equipment is available and being used correctly;
 - The recovery process is supervised at all times by a competent person;
 - Recovery equipment and cylinders conform to the appropriate standards.
- d) Pump down refrigerant system, if possible.
- e) If a vacuum is not possible, make a manifold so that refrigerant can be removed from various parts of the system.
- f) Make sure that cylinder is situated on the scales before recovery takes place.
- g) Start the recovery machine and operate in accordance with manufacturer's instructions.
- h) Do not overfill cylinders. (No more than 80 % volume liquid charge).
- i) Do not exceed the maximum working pressure of the cylinder, even temporarily.
- j) When the cylinders have been filled correctly and the process completed, make sure that the cylinders and the equipment are removed from site promptly and all isolation valves on the equipment are closed off.
- k) Recovered refrigerant shall not be charged into another refrigeration system unless it has been cleaned and checked.

15. Labelling

Equipment shall be labelled stating that it has been de-commissioned and emptied of refrigerant. The label shall be dated and signed. Ensure that there are labels on the equipment stating the equipment contains flammable refrigerant.

16. Recovery

- When removing refrigerant from a system, either for servicing or decommissioning, it is recommended good practice that all refrigerants are removed safely.
- When transferring refrigerant into cylinders, ensure that only appropriate refrigerant recovery cylinders are employed.
- Ensure that the correct number of cylinders for holding the total system charge is available.
- All cylinders to be used are designated for the recovered refrigerant and labelled for that refrigerant (i.e. special cylinders for the recovery of refrigerant).
- Cylinders shall be complete with pressure relief valve and associated shut-off valves in good working order.
- Empty recovery cylinders are evacuated and, if possible, cooled before recovery occurs.
- The recovery equipment shall be in good working order with a set of instructions concerning the equipment that is at hand and shall be suitable for the recovery of flammable refrigerants.
- In addition, a set of calibrated weighing scales shall be available and in good working order.
- Hoses shall be complete with leak-free disconnect couplings and in good condition.
- Before using the recovery machine, check that it is in satisfactory working order, has been properly maintained and that any associated electrical components are sealed to prevent ignition in the event of a refrigerant release.
- Consult manufacturer if in doubt.
- The recovered refrigerant shall be returned to the refrigerant supplier in the correct recovery cylinder, and the relevant Waste Transfer Note arranged.
- Do not mix refrigerants in recovery units and especially not in cylinders.
- If compressors or compressor oils are to be removed, ensure that they have been evacuated to an acceptable level to make certain that flammable refrigerant does not remain within the lubricant.
- The evacuation process shall be carried out prior to returning the compressor to the suppliers.
- Only electric heating to the compressor body shall be employed to accelerate this process.
- When oil is drained from a system, it shall be carried out safely.





WARNING

- Appliance shall be installed, operated and stored in a room with a floor area larger than X (X see below).
- The installation of pipe-work shall be kept to a room with a floor area larger than X (X see below).
- The pipe-work shall be complied with national gas regulations.
- When moving or relocating the air conditioner, consult experienced service technicians for disconnection and reinstallation of the unit.
- Do not place any other electrical products or household belongings under indoor unit or outdoor unit.
- Condensation dripping from the unit might get them wet, and may cause damage or malfunction of your property.
- Do not use means to accelerate the defrosting process or to clean, other than those recommended by the manufacturer.
- The appliance shall be stored in a room without continuously operating ignition sources (for example: open flames, an operating gas appliance or an operating electric heater).
- Do not pierce or burn.
- Be aware that refrigerants may not contain an odour.
- To keep ventilation openings clear of obstruction.
- The appliance shall be stored in a well-ventilated area where the room size corresponds to the room area as specified for operation.
- The appliance shall be stored in a room without continuously operating open flames (for example an operating gas appliance) and ignition sources (for example an operating electric heater).
- Any person who is involved with working on or breaking into a refrigerant circuit should hold a current valid certificate from an industry-accredited assessment authority, which authorises their competence to handle refrigerants safely in accordance with an industry recognized assessment specification.
- Servicing shall only be performed as recommended by the equipment manufacturer.
- Maintenance and repair requiring the assistance of other skilled personnel shall be carried out under the supervision of the person competent in the use of flammable refrigerants.
- The appliance shall be installed and stored so as to prevent mechanical damage from occurring.
- Mechanical connectors used indoors shall comply with ISO 14903. When mechanical connectors are reused indoors, sealing parts shall be renewed. When flared joints are reused indoors, the flare part shall be re-fabricated.
- The installation of pipe-work shall be kept to a minimum.
- Mechanical connections shall be accessible for maintenance purposes.

Required minimum room area X (m²)

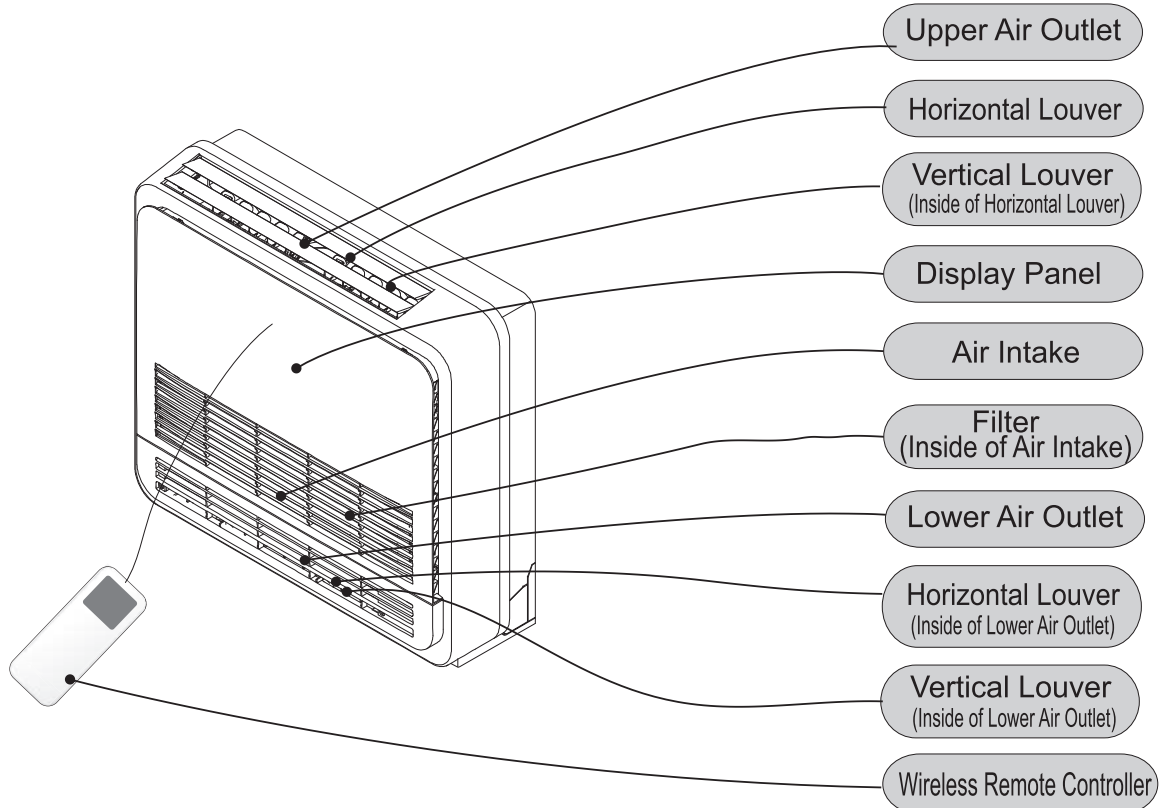
Series	Model	Installation height (m)			
		0.6	1.0	1.8	2.2
Multi-split	26~52	111	40	12	8
Split	26/35	13.3	4.8	1.5	1
	40/52	30.2	10.9	3.4	2.2

Explanation of symbols displayed on the indoor unit or outdoor unit.

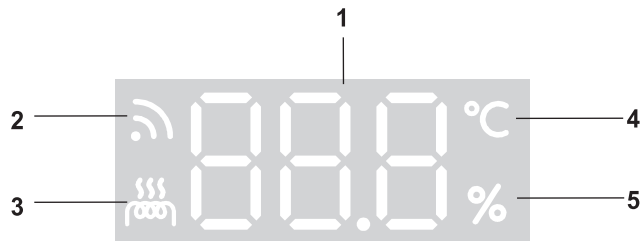
	WARNING	This symbol shows that this appliance uses a flammable refrigerant. If the refrigerant is leaked and exposed to an external ignition source, there is a risk of fire.
	CAUTION	This symbol shows that the operation manual should be read carefully.
	CAUTION	This symbol shows that a service personnel should be handling this equipment with reference to the installation manual.
	CAUTION	This symbol shows that information is available such as the operating manual or installation manual.

Composition of the Air-conditioner

Indoor Unit



Display Panel



1 Temperature/humidity indicator

Display indoor set temperature or indoor temperature; Display indoor humidity (models without a humidity sensor display “---”).

2 Wi-Fi receiver

It lights up when Wi-Fi is connected. It stops lighting when Wi-Fi is disconnected.

3 Electric heater indicator (It is only valid for the air conditioner with electric heater function.)

It lights up during heating mode when electric heater is on. It stops lighting when heater is completed.

4 Temperature Unit (°C) indicator

It lights up when the air conditioner displays with Celsius temperature, and stops lighting when it is displays with Fahrenheit temperature.

5 Humidity indicator

It lights up when display humidity.

Notes:

Figures in the manual are only simple representation of the appliance, the shape may not comply with the appearance of the air conditioner you purchased.

Composition of the Air-conditioner

Remote controller (optional)

You can control the air-conditioner with the wired controller or remote controller.

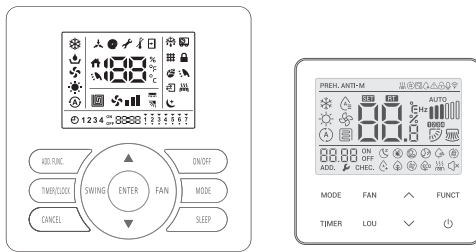
It is used for power ON/OFF, setting the operating mode, temperature, fan speed and other functions.

There are different types of remote controllers which can be used.

Operation instruction will be further specified in remote controller's manual separately.

Please read it carefully before using this appliance and keep it for future reference.

Wired controller



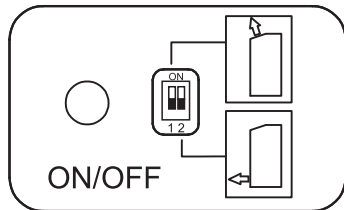
Wireless remote controller



Changing air flow dipswitch

Change the air flow dipswitch to ON to limit the air flow direction.

- 1) Remove the front grille.
- 2) Switch the dipswitch on right side of the panel to ON.



Switch setting	Air flow	
	Cooling	Heating
ON 1 2		
ON 1 2		
ON 1 2		
ON 1 2		

Note: Air conditioner automatically decides the appropriate blowing pattern.

- The figures in this manual are based on the external view of a standard model. Consequently, the shape may differ from that of the air conditioner you have selected.

Special Remarks

- **3-minute protection after compressor stop**
To protect compressor, it will be off continuously for at least 3 minutes once it has stopped.
- **5-minute protection**
Compressor must run for at least 5 minutes once it has operated. During the 5 minutes, compressor will not stop even that the room temperature reaches the set temperature point unless you use remote controller to turn off the unit (all indoor units can be turned off by user).
- **Cooling operation**
The fan of the indoor unit will never stop running in cooling operation. It continues to operate even if the compressor stops working.
- **Heating operation**
Heating capacity depends on external factors like outdoor unit temperature. Heating capacity might decrease if outdoor ambient temperature is too low.
- **Anti-freezing function during cooling**
When the temperature of the air from the indoor outlet is too low, the unit will run for some time under the ventilating mode, to avoid frost or ice forming on the indoor heat exchanger.
- **Anti cold air function**
When heating, in order to prevent the indoor unit from blowing cold air, the fan speed is controlled at low speed air or stopped in heating mode, and the fan speed is set according to the indoor coil temperature.
- **Defrosting**
When the outdoor temperature is too low, frost or ice may form on the outdoor heat exchanger, reducing heating performance. When this happens, the defrosting system of the air conditioner will operate. At the same time the fan in the indoor unit stops (or runs at a very low speed in some cases), to prevent cold draft. After defrosting is over, the heating operation and the fan speed resume.
- **Blowing out the residual heating air**
When stopping the air conditioner in normal operation, the fan motor will run with low speed for a while to blow out the residual heating air.
- **Auto restart from power break**
When the power supply is recovered after power break, all presets are still effective and the air conditioner will run according to the previous setting.

Trouble Shooting



If the trouble still exists even after checking the following, contact your dealer and inform them of the following items.

1. If Trouble still exists

- (1) Unit Model Name
- (2) Content of Trouble

2. No Operation

Check whether the SET TEMP is set at the correct temperature.

3. Not Cooling or Heating Properly

- Check for obstruction of air flow in outdoor or indoor units.
- Check if there are too many heating sources in the room.
- Check if the air filter is clogged with dust.
- Check if the doors or windows are open.
- Check if the temperature condition is within the operation range.

4. This is Not Abnormal

● Odour from Indoor Unit

Unpleasant odour diffuses from indoor unit after a long period of time. Clean the air filter and panels or allow a good ventilation.

● Sound from Deforming Parts

During system starting or stopping, a sound might be heard. However, this is due to thermal deformation of plastic parts. It is not abnormal.

● Steam from Outdoor Heat Exchanger

During defrosting operation, ice on the outdoor heat exchanger melts resulting in steam.

● Dew on Air Panel

When the cooling operation continues for a long period of time under high humidity conditions, dew can form on the air panel.

● Refrigerant Flow Sound

While the system is being started or stopped, the refrigerant flow sound may be heard.

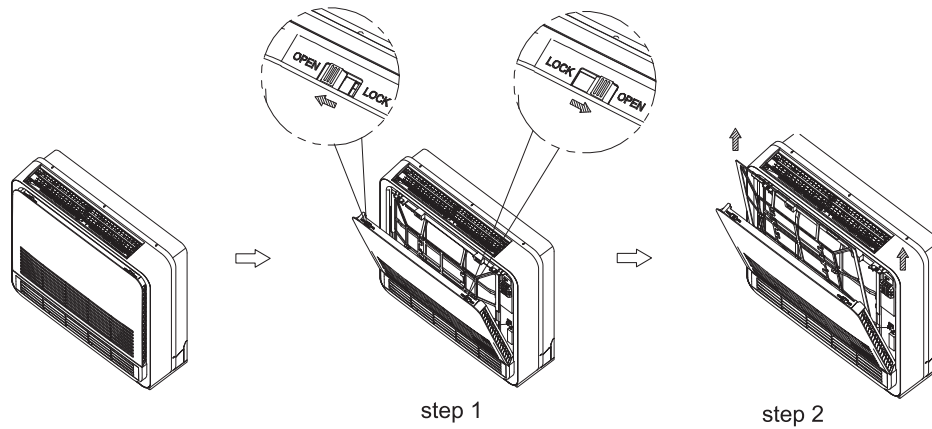
5. Filter Removing and Installing

● **Removal method**

Take out the air filter according to the following steps.

Step1: Slide until the 2 stoppers click into place as shown.

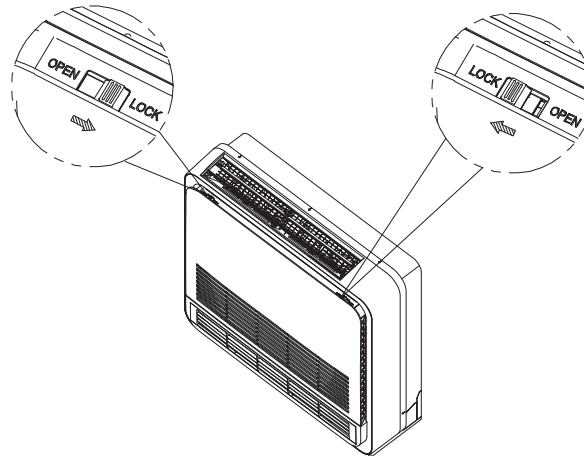
Step2: Open the front grille to an angle of more than 30° and take out the air filter from the front panel.



● **Installation method**

Step1: Insert the filter to the panel and aim the bottom hooks. Pay attention to top hooks is locked .

Step2: Close the front grille and slide until the 2 stoppers click into place as shown.



6. Mode Interfere(for multi-split)

Multi-zone outdoor units can only support a single mode at one time (cooling or heating).

When the mode set at one or more indoor unit is different from the mode that outdoor unit is using, mode interfere will occur.

	cooling	dry	heating	fan	
Cooling	✓	✓	×	✓	✓ --- Normal
Dry	✓	✓	×	✓	×
Heating	×	×	✓	×	
Fan	✓	✓	×	✓	

Outdoor units always use the mode of the first indoor unit that started operation. When mode interfere occurs, the unit in interference will emit 3 beeps and turn off automatically.

1. Safety Notice

WARNING

- Installation should be performed by a qualified personnel. (Improper installation may cause water leakage, electrical shock or fire.)
- Install the unit according to the instructions given in this manual. (Incomplete installation may cause water leakage, electrical shock or fire).
- Be sure to use the supplied or specified installation parts. (Use of other parts may cause the unit to loosen, water leakage, electrical shock or fire).
- Install the air conditioner on a solid base that can support the unit weight. (An inadequate base or incomplete installation may cause injury if it falls off the base).
- Electrical work should be carried out in accordance with the installation manual along with local and national electrical wiring rules or code of practice.
(Insufficient capacity or incomplete electrical work may cause electrical shock or fire).
- Be sure to use a dedicated power circuit. (Never use a power supply shared by another appliance).
- For wiring, use a cable long enough to cover the entire distance, do not use an extension cord.
- Do not put other loads on the power supply, use a dedicated power circuit.
- Use the specified types of wires for electrical connections between the indoor and outdoor units. (Firmly clamp the interconnecting wires so that the terminals receive no external stress).
- Incomplete connections or clamping may cause terminal overheating or fire.
- After establishing connection between all the wires be sure to fix the cables so that they do not put undue force on the electrical covers or panels. (Install covers over the wires, incomplete cover installation may cause terminal overheating, electrical shock or fire).
- When installing or relocating the system, be sure to keep the refrigerant circuit free from substances (such as air) other than the specified refrigerant. (Any presence of air or other foreign substance in the refrigerant circuit causes an abnormal pressure rise or rupture, resulting in injury).
- If any refrigerant has leaked out during the installation work, ventilate the room.
- After all installation is complete, check to make sure that there is no refrigerant leakage. (The refrigerant produces a toxic gas if exposed to flames).
- When carrying out piping connection, do not to let air substances other than the specified refrigerant enter the refrigeration cycle. (Otherwise, it will cause lower performance, abnormal high pressure in the refrigeration cycle, explosion and injury).
- Make sure the installation has a proper earth connection. Do not earth the unit to a utility pipe, arrester, or telephone grounding. Incomplete grounding may cause electrical shock. (A high surge current from lightning or other sources may damage the air conditioner).
- An earth leakage circuit breaker may be required depending on the site condition to prevent electrical shock.
- Disconnect the power supply before wiring, piping, or checking the unit.
- When moving the indoor unit and outdoor unit, please be careful, do not make the outdoor unit incline over 45 degree. Pay attention to the sharp edges of the air conditioner to avoid any injury.
- During wired controller installation, ensure that the length of the wire between the indoor unit and wired controller is within 40 meters.

CAUTION

- Do not install the air conditioner in a place where there is danger of exposure to inflammable gas leakage. (If the gas leaks and builds up around the unit, it may catch fire).
- Establish drain piping according to the instructions in this manual. (Inadequate piping may cause flooding).
- Tighten the flare nut according to the torque specifications with a torque wrench. (If the flare nut is tightened too hard, the flare nut may crack after a long time and cause refrigerant leakage).

2. The Tools and Instruments for Installation

Number	Tool	Number	Tool
1	Standard screwdriver	8	Knife or wire stripper
2	Refrigerant vacuum pump	9	Level
3	Charge hose	10	Hammer
4	Pipe bender	11	Drill
5	Adjustable wrench	12	Flaring kit
6	Pipe cutter	13	Inner hexagon spanner and torque wrench
7	Cross head screwdriver	14	Measuring Tape

3. The Installation of the Indoor Unit



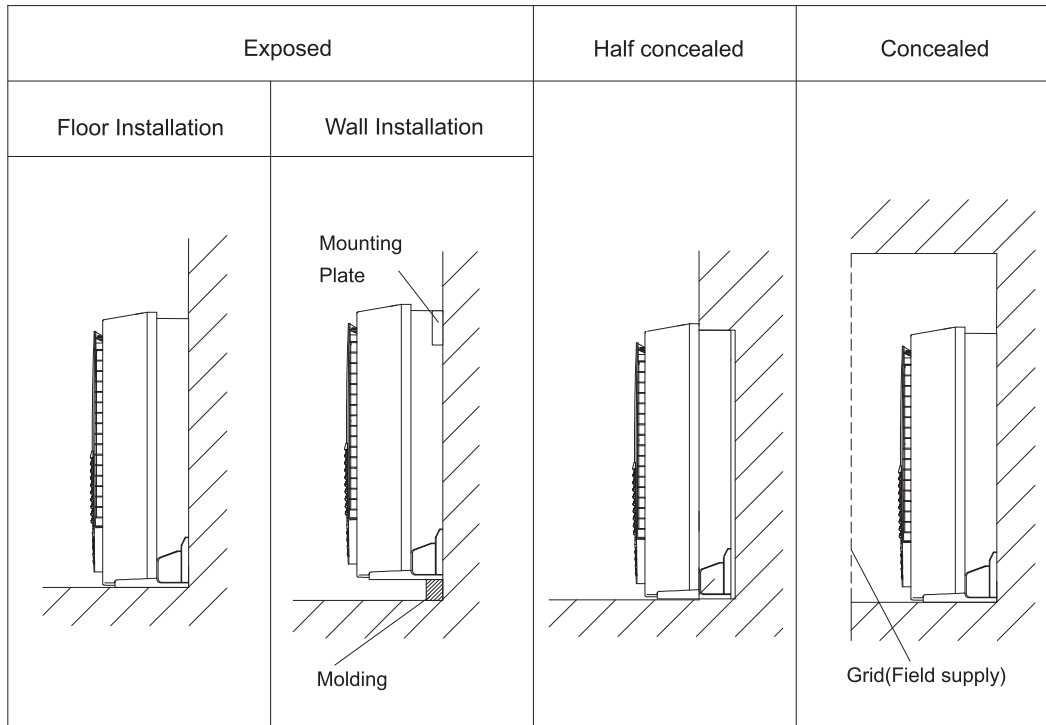
During installation, do not damage the insulation material on the surface of the indoor unit.

3.1 Before installation

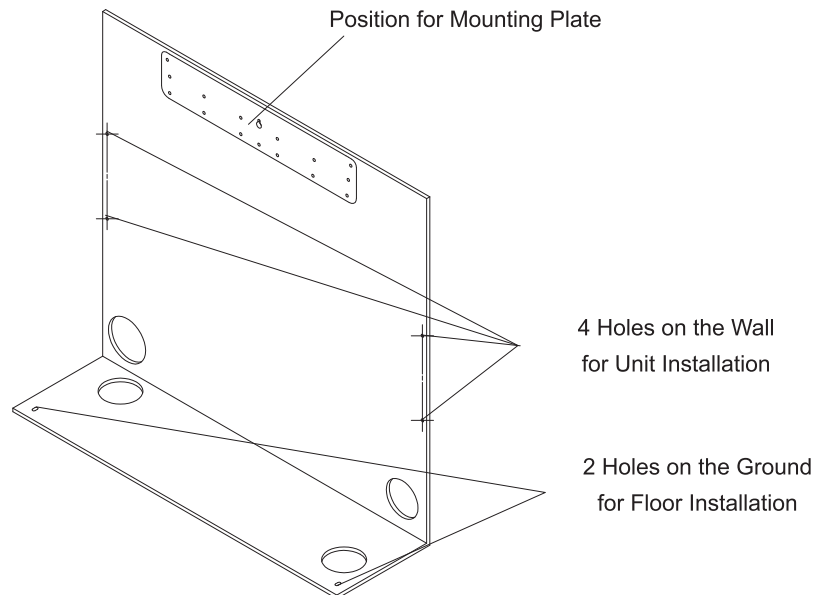
- Wear protective gears when installing the unit.
- Install correctly according to the installation manual.
- Confirm the following points:
 - Unit type/Power supply specification
 - Pipes/Wires/Small parts
 - Accessory items

Installation and Maintenance

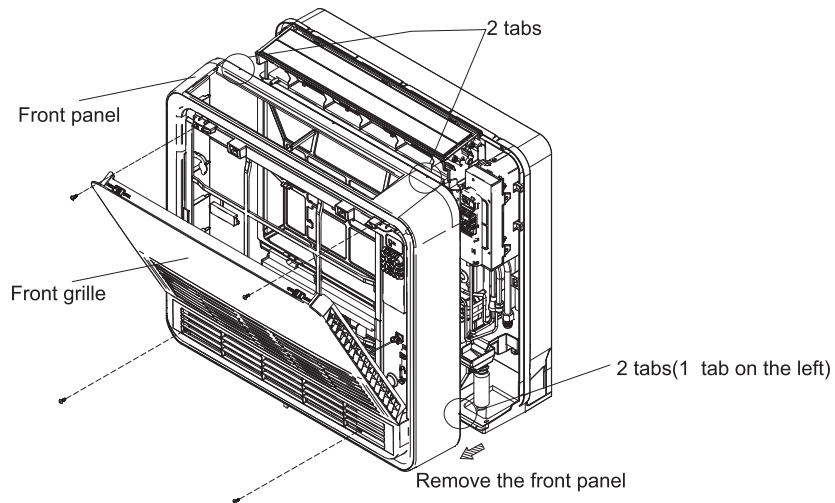
- the indoor unit may be mounted in any of the three styles shown below:



- Location for securing the installation template.



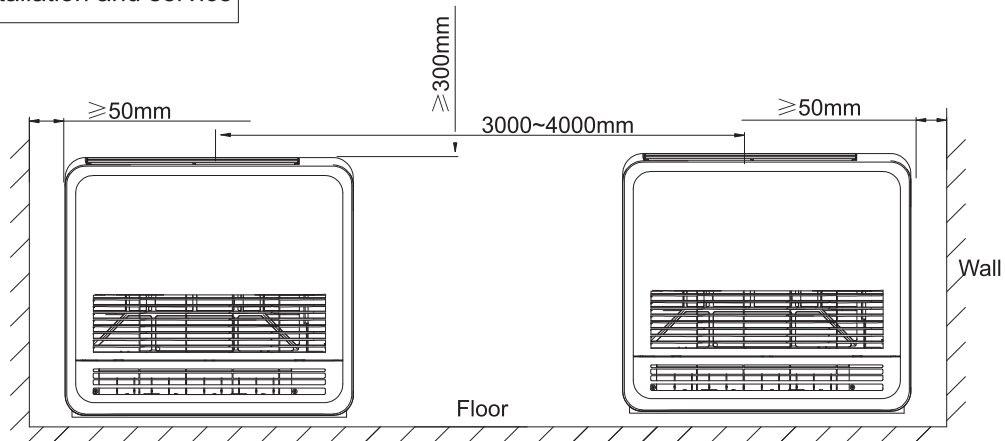
- Removing and installing front panel
- Removal method: Open the front grille. Remove the 4 screws and remove the front panel while pulling it forward(4 tabs indicated by “▼”).
- Installation method: Secure the front panel with the 4 installation screws(4 tabs) .Return the front grille to the original position.



3.2 Installation location

- Select the suitable areas to install the unit under approval of the user.
- The air passage is not blocked.
- Condensate can drain properly.
- The wall is strong enough to bear the weight of the indoor unit. If there is a risk that the wall is not strong enough, reinforce the wall before installing the unit.
- Sufficient clearance for maintenance and servicing is ensured.
- Piping between the indoor and outdoor units is within the allowable limits. (refer to the installation of the outdoor unit)
- The indoor unit, outdoor unit, power supply wiring and transmission wiring is at least 1 meter away from televisions and radio, this prevents image inter-ference and noise in electrical appliances. (Noise may be generated depending on the conditions under which the electric wave is generated, even if a one-meter allowance is maintained.)
- If there are 2 units of wireless type, keep them away for more than 6m to avoid malfunction due to cross communication.
- When plural indoor units are installed nearby, keep them away for more than 3-4m.

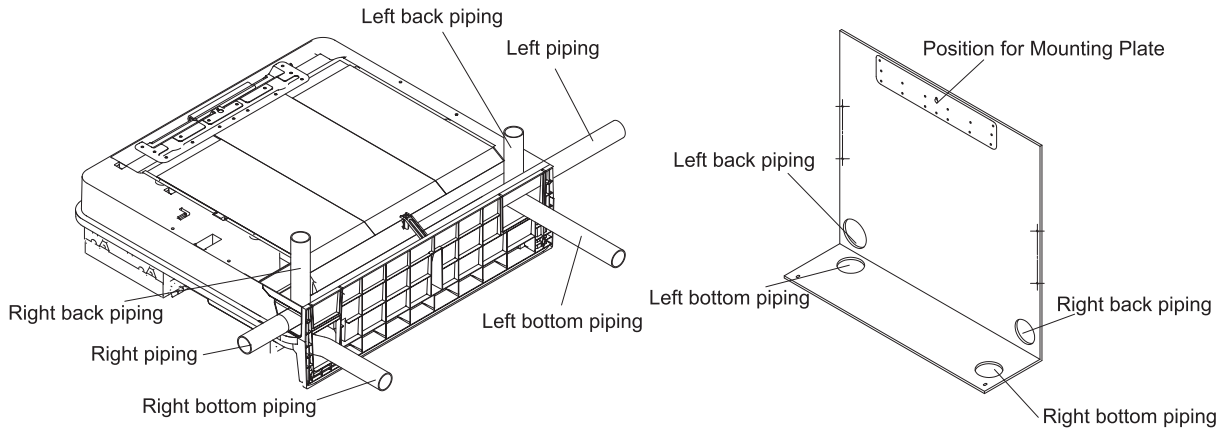
Space for installation and service



3.3 Exposed Installation

3.3.1 Refrigerant piping

- (1) Drill a hole (65mm in diameter) in the spot indicated by "○" symbol in installation template as below.
- (2) The location of the hole is different depending on which side of the pipe is taken out.
- (3) For piping, see **3.3.5 Connecting the refrigerant pipe**.
- (4) Allow space around the pipe for a easier indoor unit pipe connection.

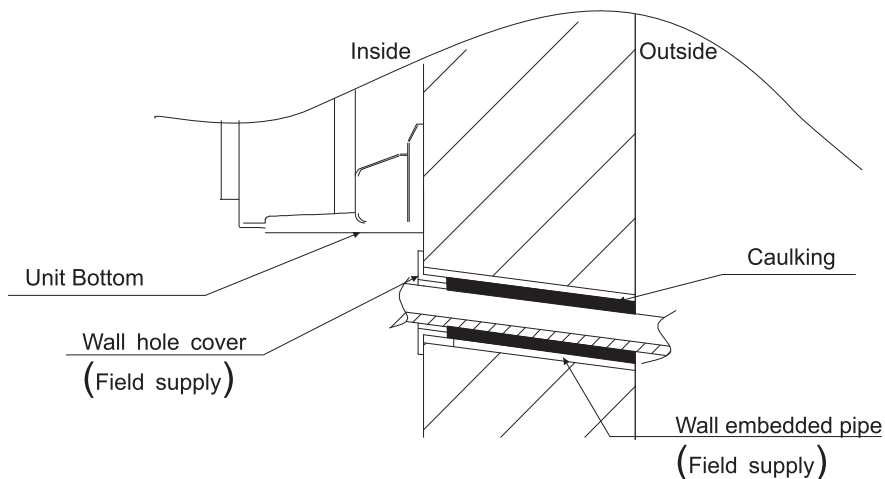


CAUTION

After completing refrigerant piping, wiring, and drain piping, for the indoor unit, caulk the gap between the unit bottom and the pipe with putty, insulation or else to prevent people insert hands into the unit.

3.3.2 Boring a wall hole and installing wall embedded pipe

- For walls containing metal frame or metal board, be sure to use a wall embedded pipe and wall cover in the feed-through hole to prevent possible heat, electrical shock, or fire.
- Be sure to caulk the gaps around the pipes with caulking material to prevent water leakage.
 - (1) Bore a feed-through hole of 65mm in the wall so it has a down slope toward the outside.
 - (2) Insert a wall pipe into the hole.
 - (3) Insert a wall cover into wall pipe.
 - (4) After completing refrigerant piping, wiring, and drain piping, caulk pipe hole gap with putty.



3.3.3 Drain piping

- (1) Use commercial rigid polyvinyl chloride pipe (outdoor diameter 26mm, inner diameter 20mm) for drain pipe.
- (2) The drain hose (315mm long) and water pipe (2000mm long) are supplied with the indoor unit. Prepare the drain pipe picture below position.
- (3) The drain pipe should be inclined downward at a gradient at least 1/100 so that water will flow smoothly without any accumulation. (Should not be trap.)
- (4) Insert the drain hose to this depth (50mm or more) so it won't be pulled out of the drain pipe.
- (5) Insulate the indoor drain pipe with 10mm or more of insulation material to prevent condensation.
- (6) Remove the air filters and pour some water (approximately 1000cc) into the drain pan to check the water flows smoothly.



▲ CAUTION

- . Water accumulating in the drain piping can cause the drain to clog.
- . Do not twist or bend the drain hose, so that excessive force is not applied to it. Failure to do so may cause water leakage.

3.3.4 Installing indoor unit

3.3.4.1 Preparation

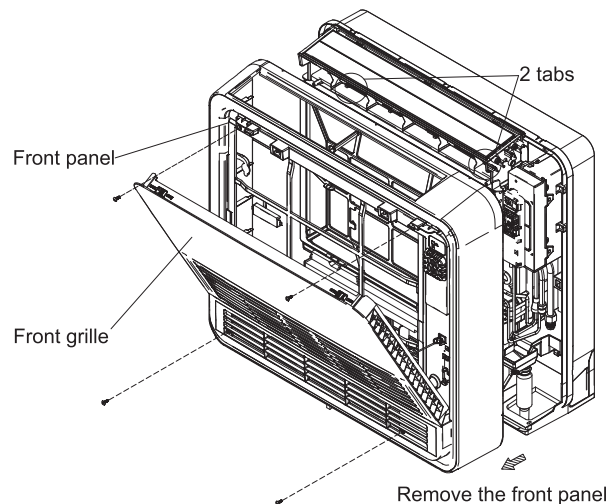
- . Open the front grille, remove the 4 screws and dismount the front panel while pulling it forward.
- . Follow the procedure below when removing the slit portions.

○ For Moldings

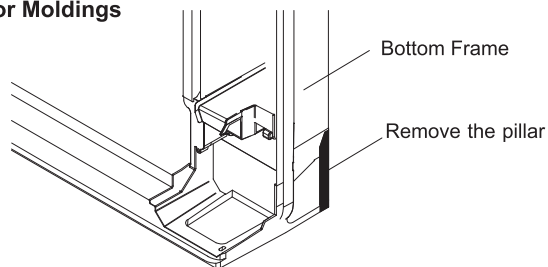
- . Remove the pillars. (Remove the slit portions on the bottom frame using nippers.)

○ For Side Piping

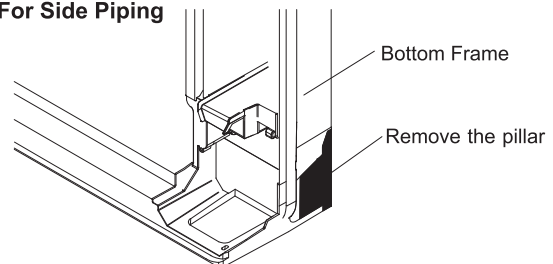
- . Remove the slit portions on the bottom frame using nippers.



For Moldings



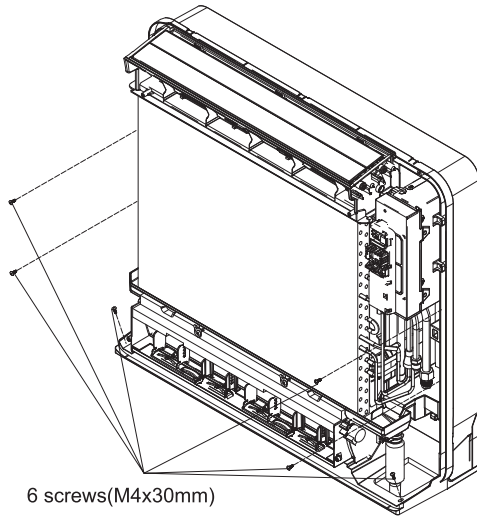
For Side Piping



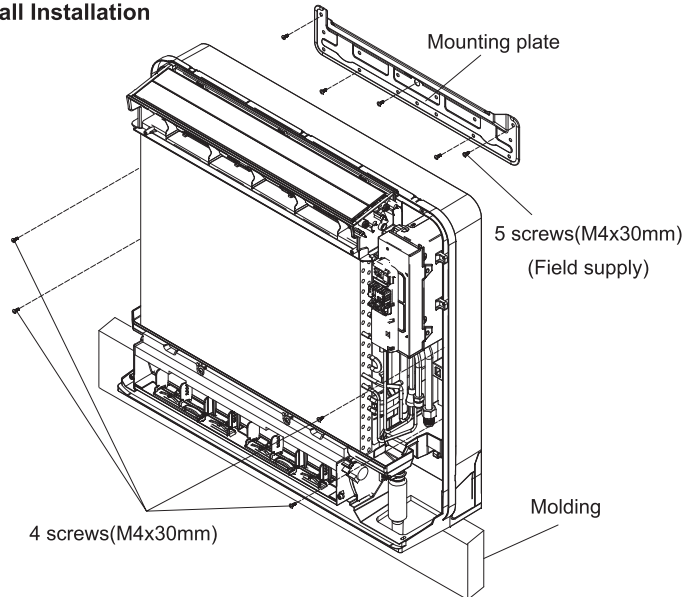
3.3.4.2 Installation

- Secure using 6 screws for floor installations.(Do not forget to secure to the rear wall.)
 - For wall installation, secure the mounting plate using 5 screws and the indoor unit using 4 screws.
 - The mounting plate should be installed on a wall which can support the weight of the indoor unit.
- (1) Temporarily secure the mounting plate to the wall, make sure that the panel is completely level, and mark the boring points on the wall.
 - (2) Secure the mounting plate to the wall with screws.

Floor Installation



Wall Installation



- (3) Once refrigerant piping and drain piping connections are complete, fill in the gap of the through hole with putty. A gap can lead to condensation on the refrigerant pipe, and drain pipe, and the entry of insects into the pipes.
- (4) Attach the front panel and front grille in the original positions once all connections are complete.

3.3.5 Connecting the refrigerant pipe



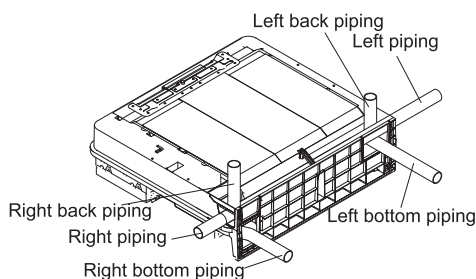
When carrying on the leakage check and test, do not mix in the oxygen, the acetylene and flammable and the virulent gas, for these gases are quite dangerous, and may possibly cause explosion. It is suggested that the compressed air, the nitrogen or the refrigerant be used to perform these experiments.

3.3.5.1 The Pipe Material

- (1) Prepare the copper pipe on the spot.
- (2) Choose dustless, non-humid, clean copper pipe. Before installing the pipe, use nitrogen or dry air to blow away the tube dust and impurity.
- (3) Choose the copper pipe according to the table.

3.3.5.2 The Connection of the Pipe

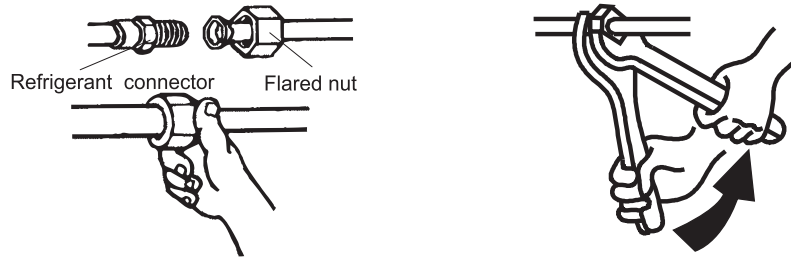
- (1) The connection positions of the pipe are shown as below.



Capacity (Btu/h)	Gas pipe	Liquid pipe
26/35	φ9.52	φ 6.35
40/52	φ 12.7	φ 6.35

Installation and Maintenance

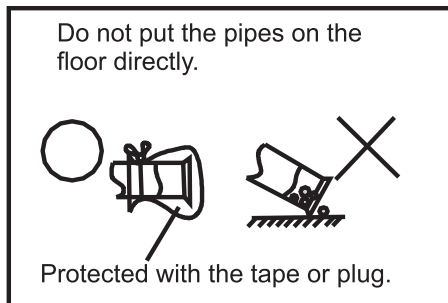
(2) As shown, align the centres of both flares and tighten the flare nuts 3 or 4 turns by hand. Then tighten them fully with the torque wrenches. Screw up the nuts with 2 spanners.



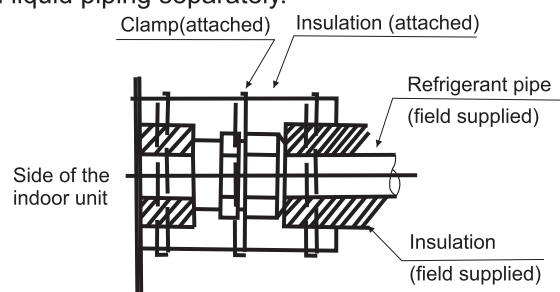
Pipe size	Torque (N.m)
φ 6.35mm	20
φ 9.52mm	40
φ 12.7mm	60

▲ CAUTION

- The pipe go through the hole with the seal.
- Protect the open end of the pipe against dust and moisture.
- All pipe bends should be as gentle as possible. Use a pipe bender for bending.
- Do not put the pipes on the floor directly.

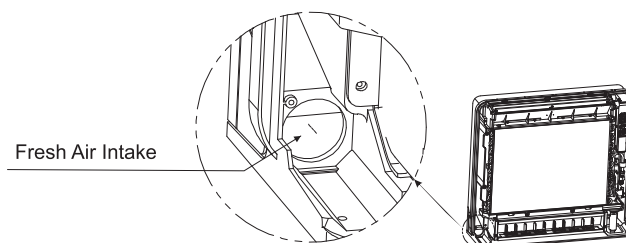


(3) After finishing connecting the refrigerant pipes, keep it warm with the insulation material. Be sure to insulate both the gas and liquid piping separately.



3.3.6 Fresh Air Intake

The unit refreshes your house with a pipe through the Fresh Air Intake.



3.3.7 Electrical wiring

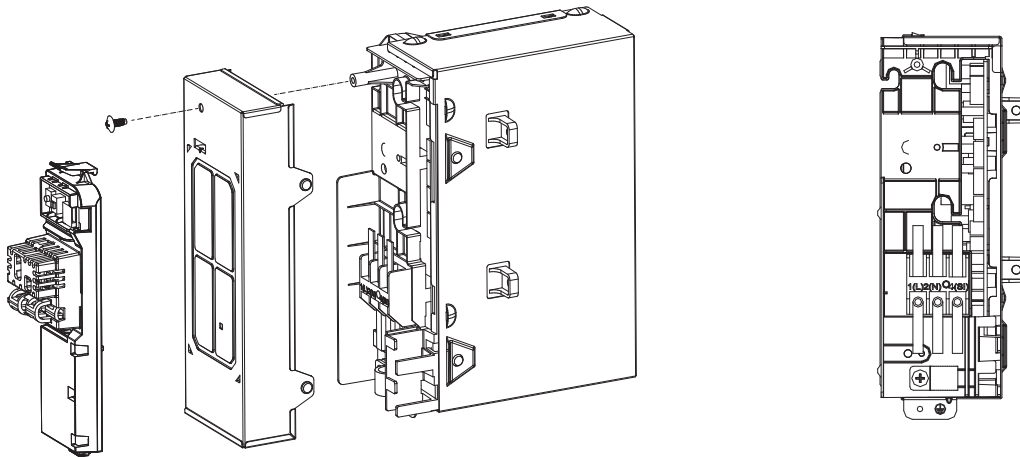
3.3.7.1 General check



- When clamping the wiring, use the included clamping material to prevent outside pressure being exerted on the wiring connections and clamp firmly.
- When doing the wiring, make sure the wiring is neat and does not cause the control box lid to stick up, then close the cover firmly. When attaching the control lid, make sure you do not pinch any wires.
- Outside the machine, separate the weak wiring (remote controller and transmission wiring) and strong wiring (earth and power supply wiring) at least 50 mm so that they do not pass through the same place together. Proximity may cause electrical interference, Malfunction, and breakage.

3.3.7.2 Wiring

- Live the sensor cover, remove the front metal plate cover(1 screw), and connect the branch wiring to the terminal block.
 - (1) Strip wire ends.(15mm)
 - (2) Match wires with terminal numbers on indoor and outdoor unit's terminal blocks and firmly screw wires to the corresponding terminals according to the electric wiring diagram.
 - (3) Connect the power wire to the main terminal.
 - (4) Connect the earth wire to the hole with a symbol "⊕".
 - (5) Connect the remote control wire to the subsidiary terminal box according to electric wiring diagram.
- (4) Pull wires to make sure that they are securely latched up, then retain wires with wire holder.
- (5) Make sure that the wires do not come in contact with the metal conduit for the heat exchanger.



Note: A cable is connected with the terminal for the factory default. Remove the cable before wiring.



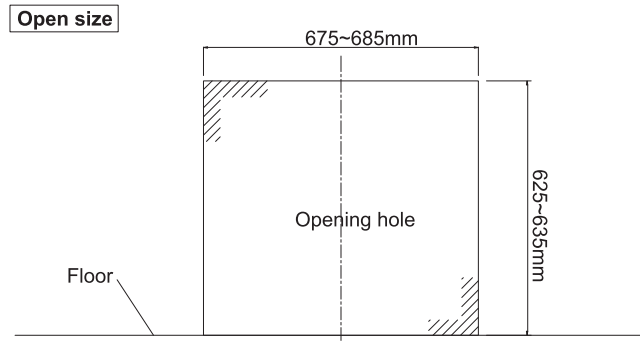
- If the fuses burn up, please call the service agency to instead it. Please do not instead by yourself, or else may result in accident, for example shock.
- Do not use tapped wires, stranded wires, extension cords, or starburst connections, as they may cause overheating, electrical shock, ore fire.
- Do not use locally purchased electrical parts inside the product. (Do not branch the power for the drain power, etc., from the terminal block.) Doing so may cause electric shock or fire.

3.4 Half Concealed Installation

Only items peculiar to this installation method are given here. See **3.3 Exposed Installation** for additional instructions.

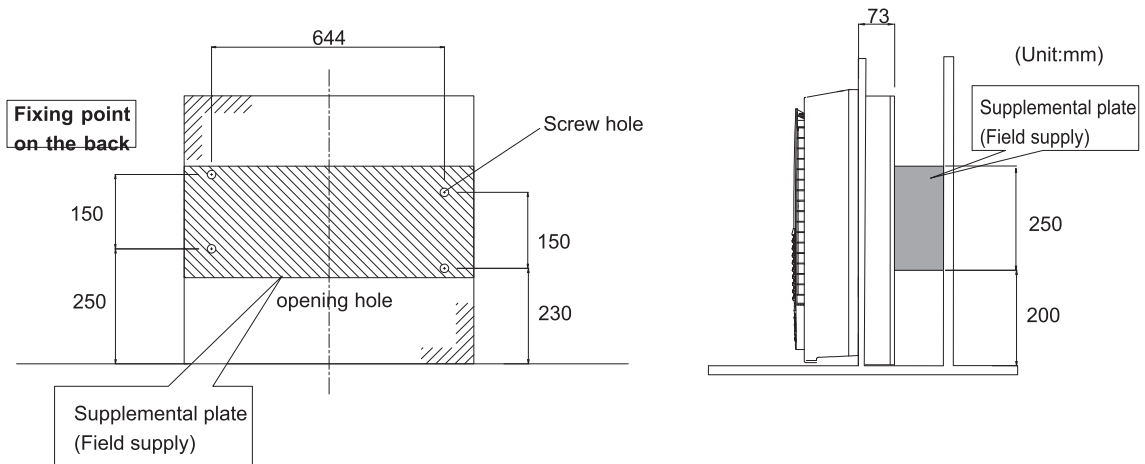
3.4.1 Wall hole

- Drill a wall hole of the size shown in the illustration on the right.



3.4.2 Installation of supplemental plate for attaching main unit

- The rear of the unit can be fixed with screws at the points shown in the illustration as below. Be sure to install the supplemental plate in accordance with the depth of the inner wall.



CAUTION

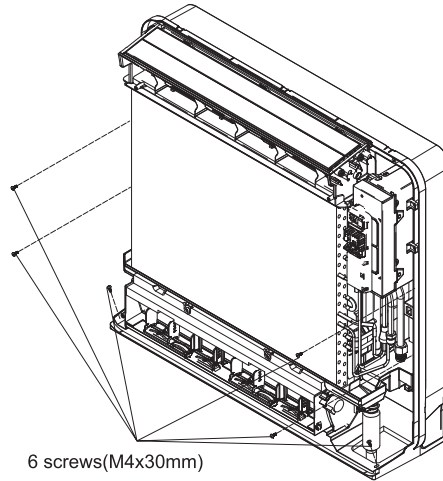
- The supplemental plate for installing the main unit must be used, or there will be a gap between the unit and the wall.

3.4.3 Refrigerant piping

- See **3.3.1 Refrigerant piping** under **3.3 Exposed Unit Installation**.

3.4.4 Installing indoor unit

- (1) Remove the front panel
- (2) Attach the indoor unit to the wall and secure using screws in 6 locations (M4x30mm).



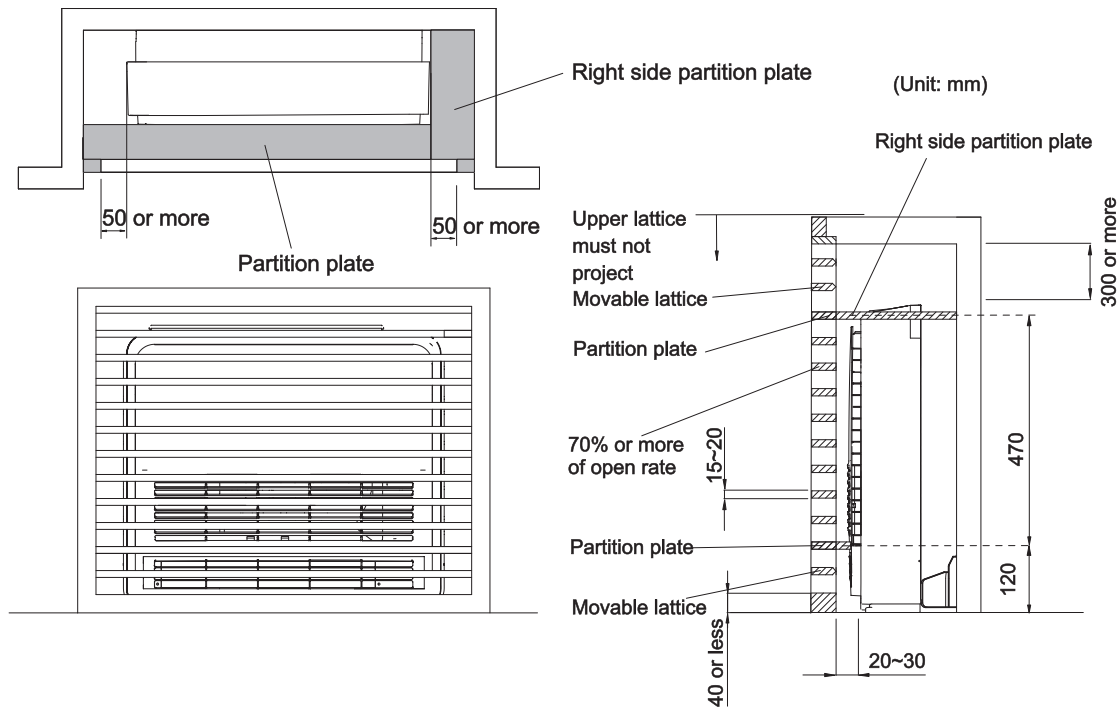
- Use drain pan edge for horizontal projection of the indoor unit.
- Install the indoor unit flush against wall.

3.5 Concealed Installation

Only items peculiar to this installation method are given here. See **3.3 Exposed Installation** for additional instructions.

Install the unit according to the instructions below. Failure to do so may cause lead to both cooling and heating failure and the condensation inside the house.

- (1) Allow enough space between the main unit and ceiling not to obstruct the flow of cool/warm air.
- (2) Place a partition plate between outlet and inlet sections.
- (3) Plate a partition plate on the right side.
- (4) Change the upward-blow limit switch.
- (5) Use a movable lattice at the air outlet to allow the adjustment of cool/warm air flow direction.
- (6) Lattice size should be 70% or more of open rate.



3.5.1 Wall hole

- See **3.3.1 Refrigerant piping** under **3.3 Exposed Unit Installation**.

3.5.2 Changing upward air flow dipswitch

- Change the upward air flow dipswitch to ON to limit the upward air flow.
- (1) Remove the front grille.
 - (2) Switch the dipswitch on the PCB in the electrical equipment box to ON.



Be sure to turn on the upward air flow switch. Failure to do so may cause incomplete cooling/heating and formation of condensation inside the house.

4. Electrical wiring

4.1 General Check

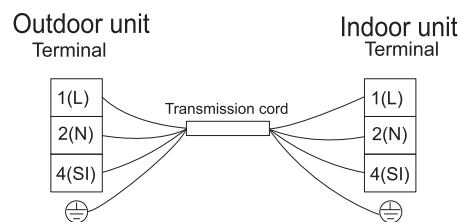


- When clamping the wiring, to prevent external pressure being exerted on the wiring connections, use the clamping material and fix firmly.
- When performing the wiring work, ensure that the wiring is proper and does not cause the control box lid to open up, if so close the cover firmly. When attaching the control lid, make sure that the wires are not affected.
- Outside the unit, keep the weak wiring (remote controller and transmission wiring) and strong wiring (earth and power supply wiring) at least 50 mm away so that they do not pass through the same place together. Proximity may cause electrical interference malfunction and breakage.



- If the fuses blow, please call the service dealer. Please do not replace them by yourself, as it may lead to electric shock and other injuries.
- (1) Remove the screws on the control box.
 - (2) Connect the power cord and earth wire to the main terminal.
 - (3) Connect the remote control wire to the subsidiary terminal box according to electric wiring diagram.
 - (4) Connect the power supply of the indoor and outdoor units to the main terminal.
 - (5) Tie the wire in the control box with the clamp tightly.
 - (6) After completing the wiring, seal the wiring hole with the sealing material (with the lid) to prevent the condensed water and insects entering the wiring space.

4.2 Electrical Wiring Diagram



4.3 Electrical Data

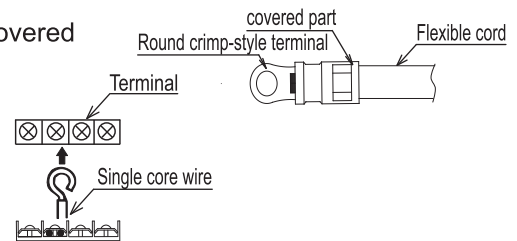
Model Capacity(Btu/h)	Transmitting Cable Size
26~52	4 × 1.5mm ²

NOTES:

- 1) Follow national and local codes when selecting sizing field wiring, and all the above are the minimum wire sizes.
- 2) The wire sizes marked in the table are selected at the maximum current of the unit according to EN 60335-1 or regional standards. Use the wires which are not lighter than the ordinary polychloroprene sheathed flexible cord (code designation H07RN-F).

When connecting the terminal block using flexible cord, make sure to use the round crimp-style terminal for connection to the power supply terminal block.

Place the round crimp-style terminals on the wires up to the covered part and secure in place.



When connecting the terminal block using a single core wire, be sure to perform crimping.

- 3) When the transmission cable exceeds 15 meters, a larger wire size should be selected.
- 4) Use a shielded cable for the transmission circuit and connect it to ground.
- 5) In the case that power cables are connected in series, add each unit maximum current and select wires below.

Selection According to EN60335-1

Current i(A)	Wire Size(mm ²)
$i \leq 6$	0.75
$6 < i \leq 10$	1
$10 < i \leq 16$	1.5
$16 < i \leq 25$	2.5
$25 < i \leq 32$	4
$32 < i \leq 40$	6
$40 < i \leq 63$	10
$63 < i$	*

*In the case that current exceeds 63A, do not connect cables in series.

5. Test Run

Please perform test run according to outdoor unit installation manual.



Correct Disposal of this product

This marking indicates that this product should not be disposed with other household wastes throughout the EU. To prevent possible harm to the environment or human health from uncontrolled waste disposal, recycle it responsibly to promote the sustainable reuse of material resources. To return your used device, please use the return and collection systems or contact the retailer where the product was purchased. They can take this product for environmental safe recycling.


Hisense


ISTRUZIONI D'USO E D'INSTALLAZIONE


Grazie mille per aver acquistato questo condizionatore d'aria. Si prega di leggere attentamente le presenti istruzioni di installazione e d'uso prima di installare e usare il prodotto e di conservare questo manuale per una futura consultazione.

Messaggi di AVVERTENZA	1
Precauzioni di sicurezza	3
Composizione del condizionatore d'aria	8
Manuale di funzionamento	
Osservazioni speciali	10
Risoluzione dei problemi.....	10
Installazione e manutenzione	
1. Informativa sulla sicurezza	13
2. Attrezzi e strumenti per l'installazione.....	14
3. Installazione dell'unità interna.....	14
3.1 Prima dell'Installazione	14
3.2 Posizione dell'installazione	16
3.3 Installazione allo scoperto.....	17
3.4 Installazione semi-nascosta.....	22
3.5 Installazione nascosta.....	24
4. Cablaggio elettrico	25
4.1 Controllo generale.....	25
4.2 Schema del cablaggio elettrico	25
4.3 Comune	26
5. Sperimentazione	26

Simboli di avvertenza:

 **PERICOLO** : Il simbolo si riferisce a rischi che possono causare gravi lesioni personali o la morte.

 **AVVERTENZA** : Il simbolo si riferisce a rischi o operazioni poco sicure che possono causare gravi lesioni personali o la morte.

 **ATTENZIONE** : Il simbolo si riferisce a rischi o operazioni poco sicure che possono causare lesioni personali, danni al prodotto o alla proprietà.

- Raccomandiamo che l'installazione del presente condizionatore d'aria sia effettuata in maniera idonea da tecnici qualificati in conformità con le istruzioni di installazione fornite con l'unità.
- Prima dell'installazione, verificare se il voltaggio dell'alimentazione nella propria casa o in ufficio è lo stesso di quello indicato nella targhetta.

PERICOLO

- Non bisogna applicare modifiche al prodotto, altrimenti ciò potrebbe causare conseguenze quali fuoriuscita d'acqua, guasto, corto circuito, scossa elettrica, incendio, ecc.
- Operazioni tecniche come la saldatura dei tubi, ecc. devono essere effettuate lontano dai materiali esplosivi infiammabili, compreso il refrigerante del condizionatore, per garantire la sicurezza del sito.
- Per proteggere il condizionatore d'aria dalla corrosione eccessiva, non installare l'unità esterna in luoghi esposti all'acqua marina o in aria sulfurea come ad esempio una spa. Non installare il condizionatore d'aria in luoghi in cui vi sono oggetti che generano calore molto elevato.

AVVERTENZA

- Se il cavo di alimentazione è danneggiato, deve essere sostituito dal produttore o dal suo servizio di assistenza al fine di evitare situazioni pericolose.
- Il luogo in cui viene installato il prodotto deve avere una struttura e un impianto di messa a terra affidabili. Non collegare la messa a terra di questo prodotto a vari tipi di impianti di circolazione di aria, ai tubi di drenaggio, all'impianto di protezione dai fulmini, o ad altri impianti di tubi per evitare di subire una scossa elettrica e danni causati da altri fattori.
- Il cablaggio deve essere eseguito da un elettricista professionista. Il cablaggio deve inoltre essere conforme ai codici elettrici locali.
- Prima di installare l'apparecchio verificare la potenza massima del circuito elettrico del proprio contatore e della presa elettrica.
- Il circuito di alimentazione in cui il prodotto viene installato deve avere un dispositivo di protezione differenziale indipendente e il dispositivo di protezione di sovraccarica forniti col prodotto.
- Quest'apparecchio non deve essere utilizzato da persone (bambini inclusi) con capacità fisiche, sensoriali o mentali ridotte, o in mancanza di esperienza e conoscenza, a meno che non siano controllati o istruiti all'uso dell'apparecchio in modo sicuro e comprendano i rischi derivanti. I bambini dovrebbero essere supervisionati per assicurarsi che non giochino con l'apparecchio.
- Gli interruttori di spegnimento, che prevedano lo spegnimento completo in tutti i poli, devono essere incorporati nel cablaggio fisso in conformità con le norme in materia di cablaggio elettrico.

- **Leggere il presente manuale attentamente prima di utilizzare il condizionatore d'aria. Qualora sussistano difficoltà o problemi, consultare il proprio rivenditore per assistenza.**
- **Il condizionatore è progettato per fornire condizioni ambientali confortevoli. Utilizzare questo apparecchio solo per lo scopo a cui è destinato, secondo quanto descritto nel presente manuale di istruzioni.**

 AVVERTENZA

- Non utilizzare mai benzina o altri gas infiammabili in prossimità al condizionatore, poiché è molto pericoloso.
- Quando il funzionamento del condizionatore d'aria è anomalo, come odore bruciato, deformazione, fuoco, fumo, ecc., È vietato continuare a utilizzare il condizionatore, l'alimentazione principale del condizionatore d'aria deve essere interrotta immediatamente e bisogna chiamare il servizio di assistenza.

 ATTENZIONE

- Non accendere o spegnere il condizionatore dall'interruttore principale dell'alimentazione. Utilizzare il pulsante di funzionamento ON/OFF.
- Non inserire nulla nell'entrata e nell'uscita dell'aria dell'unità interna o esterna. È pericoloso poiché il ventilatore è in funzione e ruota ad alta velocità.
- Non raffreddare o riscaldare troppo l'ambiente in presenza di bambini piccoli o invalidi.
- Il metodo di collegamento dell'apparecchio alla rete elettrica e l'interconnessione di componenti separati e lo schema elettrico con una chiara indicazione delle connessioni e del cablaggio ai dispositivi di controllo esterni e al cavo di alimentazione sono descritti di seguito.
- Bisogna utilizzare un cavo di tipo H07RN-F o del tipo elettricamente equivalente per il collegamento dell'alimentazione e l'interconnessione tra l'unità esterna e l'unità interna. Le dimensioni del cavo sono dettagliate nelle sezioni sottostanti.
- I dettagli relativi al tipo e alla classificazione degli interruttori di circuito/dispersore elettrico (ELB) sono riportati in dettaglio nel manuale di istruzioni dell'unità esterna.
- Le informazioni relative alle dimensioni dello spazio necessario per la corretta installazione dell'apparecchio, comprese le distanze minime ammissibili per le strutture adiacenti, sono dettagliate nelle sezioni sottostanti.
- La gamma di pressioni statiche esterne per gli apparecchi canalizzati è dettagliata nella parte sottostante.

NOTA

- *Condizioni di conservazione: Temperatura -25~60 °C(-13~140°F)
Umidità 30%~80%*

Precauzioni per l'utilizzo del refrigerante R32

Le procedure per le operazioni di installazione di base sono le stesse che per il refrigerante convenzionale (R22 o R410A).

Prestare tuttavia attenzione ai seguenti punti:

AVVERTENZA

1. **Trasporto di apparecchiature contenenti refrigeranti infiammabili.**
Si richiama l'attenzione sul fatto che possono esistere regole di trasporto aggiuntive per quanto riguarda le apparecchiature contenenti gas infiammabile. Il numero massimo di pezzi di equipaggiamento o di configurazione dell'apparecchiatura, che possono essere trasportati insieme, saranno determinati dalle norme sul trasporto applicabili.
2. **Contrassegnare le apparecchiature con simboli esplicativi**
Le segnalazioni per apparecchi simili (contenenti refrigeranti infiammabili) utilizzati in un'area di lavoro sono generalmente disciplinati dalle normative locali e forniscono i requisiti minimi per la fornitura di segnali di sicurezza e/o di salute per un luogo di lavoro. Tutti i segnali obbligatori devono essere soggetti a manutenzione e i datori di lavoro sono tenuti a garantire che i dipendenti ricevano istruzioni e formazione adeguate e sufficienti sul significato dei segnali di sicurezza appropriati e sulle azioni da intraprendere in relazione a questi ultimi. L'efficacia dei segnali non deve essere attenuata da troppi segnali posizionati insieme. Qualsiasi pittogramma utilizzato deve essere il più semplice possibile e contenere solo dettagli essenziali.
3. **Smaltimento delle apparecchiature che utilizzano refrigeranti infiammabili**
Conformità alle normative nazionali
4. **Conservazione delle attrezzature / apparecchiature**
La conservazione delle apparecchiature deve essere conforme alle istruzioni del produttore.
5. **Conservazione delle apparecchiature imballate (invendute)**
 - L'imballaggio di protezione per lo stoccaggio deve essere costruito in modo da prevenire il danneggiamento delle apparecchiature contenute con perdite della carica di gas refrigerante.
 - Il numero massimo di pezzi di apparecchiature immagazzinabili insieme consentito è stabilito dalla normativa locale.
6. **Informazioni sulla manutenzione**
 - 6-1 **Controlli dell'area**
Prima di iniziare a lavorare su sistemi contenenti refrigeranti infiammabili, sono necessari controlli di sicurezza per assicurarsi che il rischio di incendio sia ridotto al minimo. Per riparazioni al sistema di refrigerazione, prima di eseguire lavori sul sistema, accertarsi che le seguenti precauzioni siano state prese.
 - 6-2 **Procedura di lavoro**
Il lavoro va eseguito secondo una procedura controllata in modo da ridurre al minimo il rischio che siano presenti gas infiammabili o vapore durante l'esecuzione dei lavori.
 - 6-3 **Area delle operazioni generali**
 - Tutto il personale di manutenzione e chiunque altro operi in ambito locale deve essere istruito sulla natura del lavoro che si sta svolgendo. Evitare di lavorare in spazi ristretti.
 - Delimitare l'area intorno alla zona di lavoro. Accertarsi che le condizioni all'interno della zona siano sicure e che non ci sia materiale infiammabile.
 - 6-4 **Controllo della presenza di refrigerante**
 - Prima e durante il lavoro l'area va controllata con un appropriato rilevatore di refrigerante, per assicurarsi che il tecnico sia consapevole di atmosfere potenzialmente infiammabili.
 - Assicurarsi che l'apparecchiatura di rilevamento delle perdite utilizzata sia adatta per l'uso con refrigeranti infiammabili, cioè priva di scintille, adeguatamente sigillata o intrinsecamente sicura.
 - 6-5 **Presenza di estintore**
 - Se si deve eseguire una qualsiasi lavorazione a caldo sugli impianti di refrigerazione o su parti ad essi associate, accertarsi di avere a disposizione estintori appropriati.
 - Disporre di un estintore a polvere secca o CO₂ nelle adiacente dell'area di ricarica.
 - 6-6 **Nessuna sorgente di accensione**
 - Nessuna persona coinvolta in operazioni relative ad un sistema di refrigerazione che includa l'esposizione di tubazioni che contengono o hanno contenuto refrigerante infiammabile può utilizzare qualsiasi fonte di accensione in modo tale che possa comportare il rischio di incendio o esplosione.
 - Tutte le possibili fonti di accensione, incluso fumare sigarette, vanno tenute sufficientemente lontane dal luogo di installazione, riparazione, rimozione e di smaltimento, nel quale il refrigerante infiammabile può eventualmente essere rilasciato nello spazio circostante.
 - Prima di cominciare le operazioni, va controllata l'area circostante l'apparecchiatura per assicurarsi che non vi siano pericoli di infiammabilità o rischi di accensione. Vanno esposti i segnali di "Vietato fumare".
 - 6-7 **Ventilazione dell'area**
 - Prima delle operazioni sul sistema o lo svolgimento di qualsiasi lavoro a caldo assicurarsi che luogo sia all'aperto o adeguatamente ventilato.
 - Un certo grado di ventilazione è necessario durante tutto il periodo in cui viene svolto il lavoro.
 - La ventilazione deve poter disperdere in modo sicuro qualsiasi refrigerante rilasciato e preferibilmente espellerla all'esterno nell'atmosfera.
 - 6-8 **Controlli alle apparecchiature di refrigerazione**
 - Laddove vengono modificati dei componenti elettrici, questi devono essere idonei allo scopo e con le corrette specifiche.
 - Le linee guida del produttore relative alla manutenzione e assistenza vanno seguite sempre e comunque. Se in dubbio consultare il reparto tecnico del produttore per assistenza.

AVVERTENZA

- Sugli impianti che utilizzano refrigeranti infiammabili vanno eseguiti i seguenti controlli:
 - La quantità della carica deve essere in conformità con la dimensione della stanza all'interno della quale sono installate le parti contenente il refrigerante;
 - Macchinari e prese di ventilazione funzionanti in modo adeguato e libere da ostruzioni;
 - Se viene utilizzato un circuito di refrigerazione indiretta, il circuito secondario va controllato per rilevare la presenza di refrigerante;
 - Le segnalazioni e le didascalie dell'apparecchiatura devono essere visibili e leggibili. Le didascalie e le segnalazioni illeggibili devono essere corrette;
 - Le tubazioni o i componenti di refrigerazione vanno installati in una posizione dove risulti improbabile che vengano esposti a qualsiasi sostanza che possa corrodere i componenti contenenti il refrigerante, a meno che i componenti non siano costruiti con materiali intrinsecamente resistenti alla corrosione o opportunamente protetti contro la loro corrosione.

6-9 Controlli dei dispositivi elettrici

- La riparazione e la manutenzione di componenti elettrici include i controlli di sicurezza iniziali e le procedure di ispezione dei componenti.
- In caso di guasto in grado di compromettere la sicurezza, non collegare il circuito all'alimentazione di rete finché non viene risolto in modo soddisfacente.
- Se il guasto non può essere corretto immediatamente, ma è necessario un funzionamento ininterrotto, utilizzare una soluzione temporanea adeguata.
- Ciò va segnalato al proprietario del dispositivo in modo che tutte le parti ne siano a conoscenza.
- I controlli di sicurezza iniziali includeranno:
 - Che i condensatori siano scaricati: ciò verrà fatto in modo sicuro per evitare la possibilità di scintille;
 - Che nessun componente elettrico sia alimentato e che non vi siano cablaggi esposti durante la carica, il recupero o lo spurgo del sistema;
 - Che ci sia continuità nel collegamento di terra.

7. Riparazioni ai componenti sigillati

- Durante le riparazioni ai componenti sigillati, tutte le connessioni all'alimentazione elettrica vanno staccate dalle apparecchiature in manutenzione prima della rimozione di coperchi sigillati, ecc.
- Se durante la manutenzione è assolutamente necessario avere delle apparecchiature elettriche alimentate, allora posizionare nel punto più critico una forma operativa permanente di rivelazione di perdite che avverta di una situazione potenzialmente pericolosa.
- Particolare attenzione deve essere posta a quanto segue per garantire che lavorando su componenti elettrici, l'involucro non venga alterato in modo tale da influenzare il livello di protezione.
- Ciò include danni ai cavi, numero eccessivo di connessioni, terminali non conformi alle specifiche originali, danni alle guarnizioni, montaggio non corretto di pressacavi, etc.
- Assicurarsi che l'apparato sia saldamente montato.
- Assicurarsi che le guarnizioni o i materiali di tenuta non siano degradati al punto da non impedire più l'ingresso di atmosfere infiammabili.
- Le parti di ricambio devono essere conformi alle specifiche del costruttore.
NOTA: L'impiego di sigillanti ai siliconi può inibire l'efficacia di alcuni tipi di apparecchiature di rilevamento delle perdite.
Non è necessario isolare i componenti intrinsecamente sicuri prima di operare su di essi.

8. Riparazione di componenti a sicurezza intrinseca

- Non applicare carichi induttivi o capacitivi permanenti al circuito senza garantire che questi non supereranno la tensione ammissibile e la corrente consentita per le apparecchiature in uso.
- I componenti a sicurezza intrinseca sono gli unici sui quali si può operare mentre sono collegati alla rete elettrica in presenza di un'atmosfera infiammabile. L'apparecchiatura di prova deve essere della portata nominale corretta.
- Sostituire i componenti solo con parti specificate dal produttore.
- Altre parti potrebbero causare l'accensione del refrigerante fuoriuscito nell'atmosfera da una perdita.

9. Cablaggio

- Controllare che il cablaggio non venga sottoposto ad usura, corrosione, pressione eccessiva, vibrazioni, bordi taglienti o altri effetti ambientali negativi.
- Il controllo deve inoltre tenere conto degli effetti dell'invecchiamento o delle vibrazioni continue di componenti quali compressore o ventole.

AVVERTENZA

10. Rilevamento dei refrigeranti infiammabili

- Per la ricerca o la rilevazione di perdite di refrigerante non utilizzare in nessun caso potenziali fonti di accensione.
- Non devono essere utilizzate torce alogenure (o qualsiasi altro rilevatore che utilizzi una fiamma libera).

11. Metodi di rilevamento delle perdite

I seguenti metodi di rilevamento delle perdite sono ritenuti accettabili per sistemi contenenti refrigeranti infiammabili:

- Si possono usare rilevatori di perdite elettronici per rilevare refrigeranti infiammabili, ma la sensibilità può non essere adeguata, o può richiedere la ricalibrazione. (Le apparecchiature di rilevamento vanno tarate in un ambiente privo di refrigerante.)

- Assicurarsi che il rivelatore non sia una fonte potenziale di accensione e che sia adatto al refrigerante utilizzato.
- Le apparecchiature di rilevamento delle perdite vanno configurate ad una percentuale del LFL del refrigerante ed vanno tarate per il refrigerante utilizzato e confermata la percentuale appropriata di gas (25% massimo).
- I fluidi di rilevamento perdite sono adatti per l'uso con la maggior parte dei refrigeranti ma va evitato l'uso di detergenti contenenti cloro dato che questo può reagire con il refrigerante e corrodere le tubazioni in rame.
- Se si sospetta una perdita, tutte le fiamme libere devono essere spente/rimosse.
- Se viene rilevata una perdita di refrigerante che richiede la brasatura, va recuperato tutto il refrigerante dal sistema, oppure questo va isolato (per mezzo di valvole di intercettazione) in una parte del sistema non soggetta a perdite.
- Va quindi immesso azoto privo di ossigeno (OFN) per spurgare il sistema sia prima che durante il processo di brasatura.

12. Rimozione ed evacuazione

- Quando si interviene nel circuito refrigerante per effettuare riparazioni - o per qualsiasi altro motivo - vanno impiegate procedure convenzionali.
- Tuttavia è importante seguire la prassi migliore e tener conto dell'infiammabilità.
- Rispettare la seguente procedura:
 - Rimuovere il refrigerante;
 - Spurgare il circuito con gas inerte;
 - Evacuare;
 - Spurgare nuovamente con gas inerte;
 - Aprire il circuito tramite taglio o brasatura.
- La carica di refrigerante deve essere recuperata in bombole di recupero appropriate.
- Va eseguito il "flussaggio" del sistema con OFN per rendere sicura l'unità.
- Può essere necessario ripetere questa procedura più volte.
- Per questa operazione non deve essere utilizzata aria compressa o ossigeno.
- Il flussaggio viene ottenuto interrompendo il vuoto nel sistema tramite OFN e continuando il riempimento fino a raggiungere la pressione di lavoro, quindi sfiatato alla pressione atmosferica, e infine riportando il vuoto.
- Questo processo va ripetuto fino a quando non c'è più refrigerante nel sistema. Quando si impiega la carica finale di OFN, il sistema deve essere sfiatato fino alla pressione atmosferica per consentire le operazioni di manutenzione.
- Questa operazione è assolutamente indispensabile se si devono eseguire brasature sulle tubazioni.
- Assicurarsi che la presa per la pompa a vuoto non sia vicino a fonti di accensione e che sia disponibile la ventilazione.

13. Procedure di ricarica

- Oltre alle procedure di ricarica convenzionali, vanno seguite le seguenti raccomandazioni:
 - Garantire che non si verifichi la contaminazione di refrigeranti diversi quando si utilizza l'attrezzatura di carica.
 - Manicotti o raccordi devono essere il più corti possibili per ridurre al minimo la quantità di refrigerante contenuto in essi.
 - le bombole devono essere tenute in posizione verticale.
 - Prima di caricare il sistema con refrigerante accertarsi che il sistema di refrigerazione sia collegato a terra.
 - Etichettare il sistema quando la carica è completa (se non lo è già).
 - Prestare estrema attenzione a non riempire in eccesso il sistema di refrigerazione.
 - Prima di essere ricaricato il sistema deve essere testato sotto pressione con OFN.
- Al completamento della carica, ma prima della sua messa in funzione, il sistema va sottoposto al controllo di perdite.
- Prima di lasciare il sito deve essere eseguita un'ulteriore prova di tenuta.

14. Rottamazione

Prima di eseguire questa procedura, è essenziale che il tecnico abbia completa familiarità con l'apparecchio e tutti i relativi dettagli.

Adottare tutti gli accorgimenti in grado di garantire il recupero di tutto il refrigerante in modo sicuro.

AVVERTENZA

Prima di eseguire questa operazione, prendere un campione d'olio e di refrigerante in caso sia richiesta un'analisi prima del riutilizzo di refrigerante recuperato. Accertarsi che sia disponibile la corrente elettrica prima di iniziare questa operazione.

- a) Acquisire familiarità con l'apparecchio e con il suo funzionamento.
- b) Isolare elettricamente il sistema.
- c) Prima di eseguire la procedura assicurarsi che:
 - Siano disponibili attrezzature meccaniche di movimentazione, se necessario, per lo spostamento delle bombole di refrigerante;
 - Siano disponibili e utilizzate correttamente tutte le attrezzature di protezione individuale;
 - Il processo di recupero sia seguito in ogni sua fase da una persona competente;
 - Le apparecchiature di recupero e le bombole siano conformi agli standard appropriati.
- d) Eseguire il depompaggio del sistema refrigerante, se possibile.
- e) Se il vuoto non è possibile, preparare un collettore in modo che il refrigerante possa essere rimosso da varie parti del sistema.
- f) Assicurarsi che la bombola si trovi sulla bilancia prima delle operazioni di recupero.
- g) Avviare la macchina di recupero ed operarla secondo le istruzioni del produttore.
- h) Non riempire troppo le bombole. (Non più dell'80% del volume liquido della carica).
- i) Non superare la pressione massima di esercizio della bombola, neanche temporaneamente.
- j) Quando le bombole sono state correttamente riempite e il processo completato, assicurarsi che le bombole e le apparecchiature siano prontamente rimosse dal sito e che tutte le valvole di isolamento delle apparecchiature siano chiuse.
- k) Il refrigerante recuperato non va reimesso in un altro sistema di refrigerazione a meno che non sia stato pulito e controllato.

15. Etichettatura

L'apparecchiatura deve essere etichettata con la dicitura che è stata de-commissionata e svuotata del refrigerante. L'etichetta deve essere datata e firmata. Assicurarsi che non ci sono etichette sull'apparecchiatura con la dicitura che contiene refrigerante infiammabile.

16. Recupero

- Quando si rimuove refrigerante da un impianto, sia per la manutenzione che per la rottamazione, si raccomanda la rimozione di tutto il refrigerante in sicurezza.
- Durante il trasferimento del refrigerante nelle bombole, assicurarsi di impiegare solo bombole adatte al recupero di refrigerante.
- Assicurarsi che siano disponibili un numero adeguato di bombole per il contenimento della carica totale del sistema.
- Che tutte le bombole da utilizzare siano omologate per il refrigerante recuperato e etichettate per tale refrigerante (che siano cioè bombole speciali per il recupero del refrigerante).
- Che le bombole siano complete di valvola limitatrice di pressione e che le valvole di intercettazione associate siano in buone condizioni.
- Che le bombole vuote di recupero siano evacuate e, se possibile, raffreddate prima delle operazioni di recupero.
- Che l'apparecchiatura di recupero sia in buone condizioni di funzionamento e completa di kit di istruzioni, e che queste includano il recupero di refrigeranti infiammabili.
- Inoltre, che sia disponibile e in buone condizioni un kit di bilance tarate.
- Che i manicotti siano completi di innesti senza perdite e in buone condizioni operative.
- Prima di utilizzare la macchina di recupero, verificare che sia in buone condizioni di funzionamento, che sia stata mantenuta in modo corretto e che eventuali componenti elettrici associati siano sigillati per evitare accensioni in caso di fuoriuscita di refrigerante.
- In caso di dubbi consultare il produttore.
- Il refrigerante recuperato va restituito al fornitore di refrigerante nella bombola di recupero corretta, e va compilata la relativa Nota di conferimento rifiuti.
- Non mescolare refrigeranti nelle unità di recupero e soprattutto non nelle bombole.
- Se si deve rimuovere il compressore o il relativo olio, assicurarsi che sia stato evacuato ad un livello accettabile per essere sicuri che del refrigerante infiammabile non rimanga all'interno del lubrificante.
- Il processo di evacuazione va effettuato prima di restituire il compressore ai fornitori.
- Per accelerare questo processo utilizzare solo riscaldamento elettrico per il corpo del compressore.
- Lo svuotamento dell'olio di un sistema deve essere eseguito in modo sicuro.





AVVERTENZA

- L'apparecchio deve essere installato, messo in funzione e conservato in una stanza con una superficie più ampia di X (X vedere sotto).
- L'installazione delle tubazioni deve essere eseguita in una stanza con una superficie superiore a X (X vedere sotto).
- L'installazione delle tubature deve essere eseguita in conformità con le norme nazionali sul gas.
- Le tubature devono essere conformi alle normative nazionali sul gas.
- Quando si sposta o si riposiziona il climatizzatore, consultare tecnici qualificati per lo smontaggio e la reinstallazione dell'unità.
- Non posizionare nessun altro elettrodomestico o altri articoli sotto l'unità interna o esterna.
- Si può formare condensa che gocciolando dall'unità potrebbe bagnarli, causare malfunzionamenti e danneggiare la vostra proprietà.
- Non usare mezzi diversi da quelli consigliati dal produttore per accelerare il processo di sbrinamento o per pulire.
- L'apparecchio deve essere conservato in un locale privo di fonti di accensione in continuo funzionamento (quali fiamme libere, apparecchiature a gas o stufe elettriche accese).
- Non perforare o bruciare.
- Prendere atto che refrigeranti possono essere inodori.
- Mantenere le aperture di ventilazione libere da ogni ostruzione.
- L'apparecchio deve essere conservato in un'area ben ventilata, dove le dimensioni del locale corrispondano a quelle specificate per il funzionamento.
- L'apparecchio deve essere conservato in una stanza priva di fiamme libere a funzionamento continuato (per esempio apparecchiature a gas accese) e fonti di combustione (ad esempio una stufa elettrica accesa).
- Tutto il personale impiegato in operazioni su circuiti refrigeranti deve essere qualificato e in possesso di valido certificato emesso da un ente riconosciuto nel servizio di valutazione del settore, che autorizza la loro competenza nel gestire in modo sicuro i refrigeranti in conformità alle specifiche normative del settore.
- La manutenzione deve essere eseguita solo con le modalità raccomandate dal produttore dell'apparecchiatura.
- Manutenzione e riparazione che richiedono l'assistenza di altro personale qualificato deve essere effettuata sotto la supervisione della persona competente nell'uso di refrigeranti infiammabili.
- Non usare mezzi diversi da quelli consigliati dal produttore per accelerare il processo di sbrinamento o per pulire.
- L'apparecchio deve essere installato e conservato in modo da evitare danni meccanici.
- Le giunzioni svasate e i connettori meccanici riutilizzabili non sono ammessi all'interno.
- La lunghezza delle tubazioni all'interno dei locali deve essere la più corta possibile.
- Le connessioni meccaniche devono essere accessibili a scopi di manutenzione.

Area della camera minima richiesta X (m²)

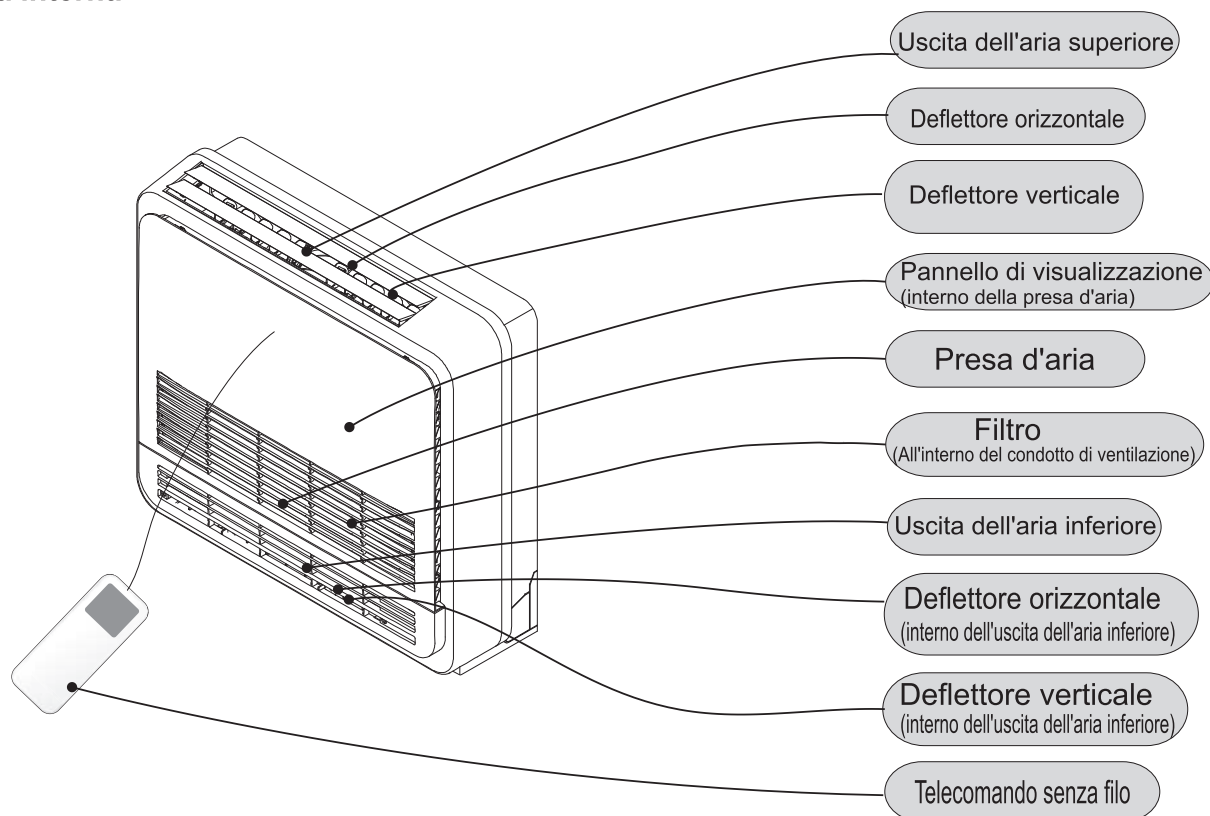
Serie	Modello	Altezza di installazione (m)			
		0.6	1.0	1.8	2.2
Multi-split	26~52	111	40	12	8
Unitario	26/35	13.3	4.8	1.5	1
	40/52	30.2	10.9	3.4	2.2

Spiegazione dei simboli visualizzati sull'unità interna o esterna.

	ATTENZIONE	Questo simbolo indica che l'apparecchiatura utilizza un refrigerante infiammabile. Se è fuoriuscito del refrigerante e viene esposto ad una fonte di accensione esterna, c'è il rischio di incendio
	AVVERTENZA	Questo simbolo indica che il manuale di istruzioni va letto attentamente.
	AVVERTENZA	Questo simbolo indica che l'apparecchio va gestito da tecnici qualificati con riferimento al manuale di installazione.
	AVVERTENZA	Questo simbolo indica che sono disponibili informazioni, quali il manuale di installazione o il manuale operativo.

Composizione del condizionatore d'aria

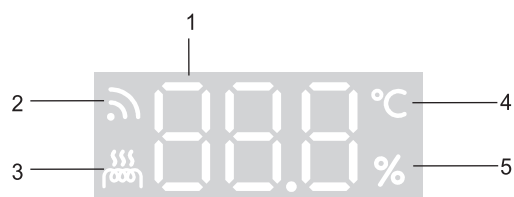
Unità interna



Note:

le figure nel manuale sono soltanto semplici rappresentazioni dell'apparecchio, potrebbero non rappresentare fedelmente l'aspetto del condizionatore d'aria acquistato.

Pannello di visualizzazione



1 Indicatore temperatura/umidità

Visualizza la temperatura interna impostata o la temperatura interna; visualizza l'umidità interna (i modelli senza sensore di umidità visualizzano "—").

2 Ricevitore Wi-Fi

Si accende quando il Wi-Fi è collegato. Smette di lampeggiare quando il Wi-Fi è disconnesso.

3 Indicatore del radiatore elettrico (è valido solo per il condizionatore d'aria con funzione di riscaldamento elettrico)

Si accende durante la modalità di riscaldamento quando il radiatore elettrico è acceso. Smette di lampeggiare quando il riscaldamento è terminato.

4 Indicatore di temperatura dell'unità (°C)

Si illumina quando il condizionatore d'aria mostra la temperatura in Celsius, e smette di lampeggiare quando viene mostrata la temperatura in Fahrenheit.

5 Indicatore di umidità

Si accende quando viene visualizzata l'umidità.

Nota: Le figure in questo manuale si basano sulla vista esterna di un modello standard.

Di conseguenza, la forma può essere diversa da quella del condizionatore d'aria scelto.

Per il tipo multi-split, l'unità non verrà avviata quando viene premuto l'interruttore di emergenza.

Composizione del condizionatore d'aria

Telecomando (opzionale)

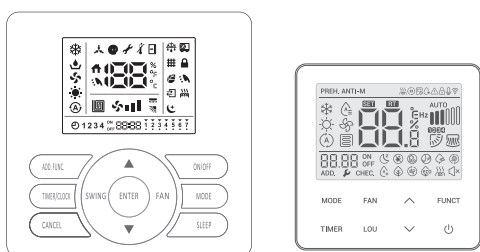
È possibile controllare il condizionatore d'aria con il telecomando a filo o con quello senza filo. Viene utilizzato per controllare l'accensione e lo spegnimento, impostare la modalità di funzionamento, la temperatura, la velocità del ventilatore e altre funzioni.

Vi sono diversi tipi di telecomandi tra cui scegliere.

Le istruzioni di funzionamento saranno specificate nel manuale del telecomando separatamente.

Si prega di leggerle attentamente prima di usare il prodotto e di conservare questo manuale per una futura consultazione.

Telecomando a filo



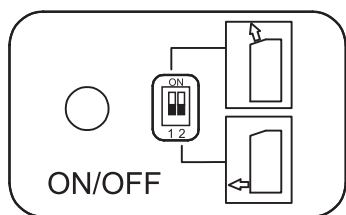
Telecomando senza filo



Modifica del dip switch del flusso d'aria

Impostare il dip switch del flusso d'aria su ON per limitare la direzione del flusso d'aria.

- 1) Rimuovere la griglia anteriore.
- 2) Impostare il dip switch sul lato destro del pannello su ON.



Impostazione interruttore	Flusso d'aria	
	Raffreddamento	Riscaldamento
ON 		
ON 		
ON 		
ON 		

Nota: Il condizionatore d'aria decide automaticamente il modello di emissione d'aria appropriato.

Osservazioni speciali

- 3 minuti di protezione dopo l'arresto del compressore.
Per proteggere il compressore, occorrono almeno 3 minuti di interruzione dopo l'arresto del compressore.
- 5 minuti di protezione
Il compressore deve funzionare almeno per 5 minuti una volta messo in funzione. Nei 5 minuti il compressore non si fermerà persino se la temperatura della camera raggiunge il punto di impostazione, se non disattivato tramite il comando remoto (l'unità interna verrà spenta nella sua completezza dall'utente).
- Operazione di raffreddamento
Il ventilatore dell'unità interna rimarrà sempre in funzionamento. Rimane in funzione anche se il compressore smette di funzionare.
- Operazione di riscaldamento
Dato che il condizionatore d'aria esegue l'operazione di riscaldamento attingendo calore dell'aria esterna (tramite la pompa di riscaldamento), la capacità di riscaldamento può diminuire quando la temperatura all'esterno della stanza è troppo bassa. Se l'effetto del riscaldamento non è così soddisfacente, utilizzare un altro dispositivo di riscaldamento in combinazione.
- Funzione anticongelamento durante il raffreddamento
Quando la temperatura dell'aria dall'uscita interna è troppo bassa, l'unità funzionerà per qualche tempo in modalità ventilatore, per evitare la formazione di brina o ghiaccio nello scambiatore di calore interno.
- Funzione anti-freddo
In fase di riscaldamento, per evitare che l'unità interna soffi aria fredda, la velocità del ventilatore viene controllata a bassa velocità o interrotta in modalità riscaldamento, e la velocità del ventilatore viene impostata in base alla temperatura della batteria interna.
- Sbrinamento
Quando la temperatura esterna è troppo bassa, si possono formare brina o ghiaccio nello scambiatore di calore esterno, riducendo le prestazioni del riscaldamento. Quando ciò accade, entrerà in azione un sistema di sbrinamento del condizionatore. Allo stesso tempo il ventilatore nell'unità interna si ferma (o funziona ad una velocità estremamente ridotta in alcuni casi); alcuni minuti dopo lo sbrinamento viene interrotto e l'operazione di riscaldamento viene riavviata.
- Eliminare l'aria del riscaldamento restante
Quando si arresta il condizionatore d'aria durante un normale funzionamento, il motore del ventilatore funziona a bassa velocità per eliminare l'aria destinata al riscaldamento restante.
- Ripristino automatico dell'interruzione
Quando l'alimentazione viene ripristinata dopo un'interruzione, la programmazione viene conservata e il condizionatore può funzionare secondo le impostazioni originali.

Risoluzione dei problemi



Quando l'alimentazione viene ripristinata dopo un'interruzione, la programmazione viene conservata e il condizionatore può funzionare secondo le impostazioni originali.

1. Se il problema persiste...

Se il problema persiste anche dopo aver controllato quanto segue, contattare il servizio di manutenzione e informarlo dei seguenti elementi.

(1) Nome del modello del prodotto

(2) Descrizione del problema

2. Nessun funzionamento

Controllare se l'IMPOSTAZIONE DELLA TEMPERATURA è definita correttamente.

3. Non raffredda bene

- Verificare la presenza di ostruzioni del flusso dell'aria delle unità interne o esterne.
- Verificare la presenza di eccessiva fonte di calore nell'ambiente.
- Verificare se il filtro dell'aria è intasato dalla polvere.
- Verificare se la porta o la finestra sono aperte o chiuse.
- Verificare se la condizione della temperatura rientra nell'intervallo di funzionamento.

4. Ciò non è anormale

- **Odori provenienti dall'unità interna**

Dopo un lungo periodo di tempo, l'unità interna assorbe gli odori. Pulire il filtro dell'aria e i pannelli o consentire una buona ventilazione.

- **Rumori provenienti da componenti del prodotto**

Durante l'avviamento o l'arresto del sistema, si può avvertire uno scricchiolio. Ciò è dovuto alla deformazione termica dei componenti in plastica. È una comune situazione.

- **Vapore dallo scambiatore di calore esterno**

Durante le operazioni di sbrinamento, il ghiaccio sullo scambiatore di calore esterno viene sciolto, con conseguente produzione di vapore.

- **Rugiada sul pannello dell'aria**

Quando l'operazione di raffreddamento continua per un lungo periodo di tempo in condizioni di umidità elevata può formarsi una patina di rugiada sul pannello dell'aria.

- **Rumori dovuti al flusso del refrigerante**

Durante l'avviamento o l'arresto del sistema, si può avvertire un suono dal flusso del refrigerante.

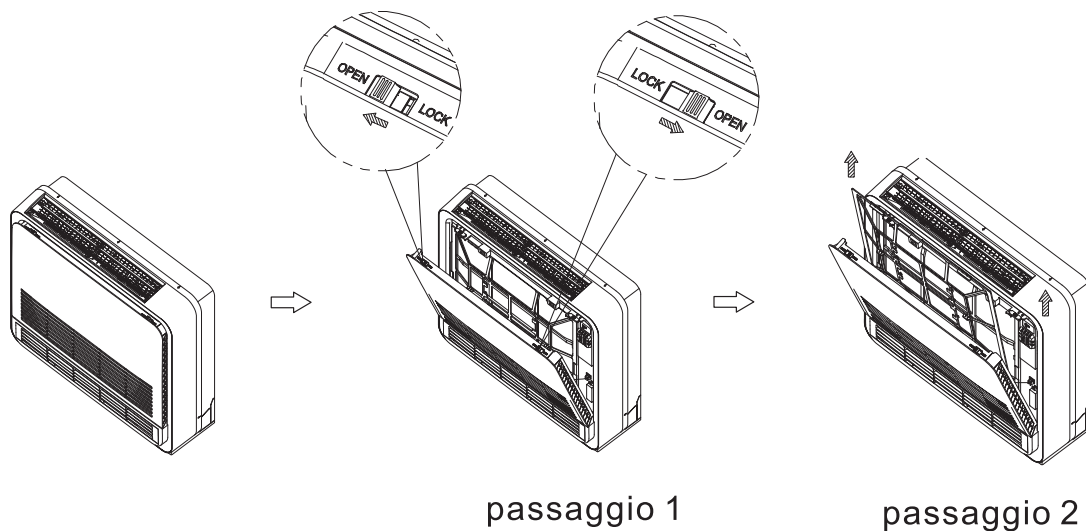
5. Rimozione e installazione del filtro

- **Metodo di rimozione**

Estrarre il filtro dell'aria secondo i seguenti passaggi.

Passaggio 1: Scorrere finché i due fermi non scattano in posizione, come mostrato.

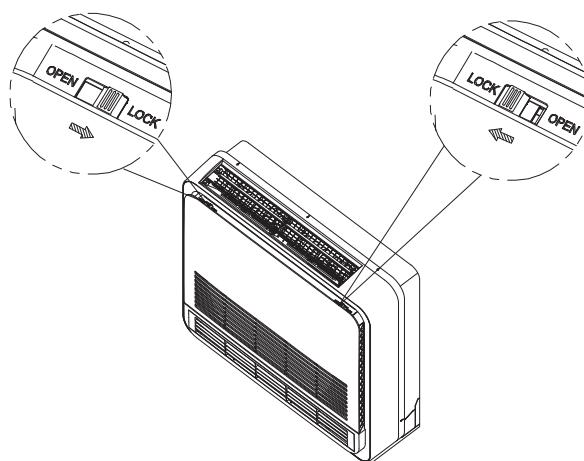
Passaggio 2: aprire la griglia frontale ed estrarre il filtro dell'aria dal pannello anteriore.



- **Metodo di installazione**

Passaggio 1: inserire il filtro nel pannello e agganciarlo ai supporti inferiori. Verificare che gli agganci superiori siano bloccati.

Passaggio 2: chiudere la griglia anteriore e far scorrere fino a quando i due fermi non scattano in posizione, come mostrato.



6. Ciò non è anormale

Dato che tutte le unità interne utilizzano un'unità esterna, quest'ultima può funzionare solo con la stessa modalità (raffreddamento o riscaldamento), per cui, quando la modalità impostata è diversa quella in esecuzione nell'unità esterna, si verifica un'interferenza. In seguito viene descritto il verificarsi di un'interferenza.

	raffreddamento	deumidificatore	riscaldamento	ventilatore	
raffreddamento	✓	✓	×	✓	✓ — normale
deumidificatore	✓	✓	×	✓	×
riscaldamento	×	×	✓	×	×
ventilatore	✓	✓	×	✓	×

× — interferenza della modalità

Un'unità esterna funziona sempre con la modalità della prima unità interna che risulta accesa. Quando la modalità di impostazione della seguente unità interna interferisce con essa, si sentiranno 3 bip e l'unità interna che è entrata in conflitto con le normali unità di funzionamento si spegnerà automaticamente.

Se si seleziona la modalità automatica, la modalità di funzionamento effettiva dell'unità sarà dominata dall'unità che ha selezionato per prima la modalità automatica. (La modalità automatica non è valida per alcuni modelli).

1. Informativa sulla sicurezza



- L'installazione deve essere eseguita dal rivenditore o da un altro professionista (un'installazione impropria può causare fuoriuscita di acqua, scosse elettriche o incendi).
 - Installare l'unità secondo le istruzioni illustrate in questo manuale (un'installazione incompleta può causare fuoriuscita di acqua, scosse elettriche o incendi).
 - Assicurarsi di usare i componenti d'installazione specificati o forniti col prodotto (l'uso di differenti componenti può danneggiare l'unità o causare fuoriuscite di acqua, scosse elettriche o incendi.)
 - Installare il condizionatore su una base solida che possa sopportarne il peso (una base inadeguata o un'installazione incompleta possono causare incidenti nel caso in cui l'unità cada dalla base).
 - I lavori elettrici devono essere effettuati in conformità al manuale di installazione e alla normativa locale e nazionale o ai codici in materia di cablaggio elettrico
- (una potenza massima insufficiente o lavori elettrici incompleti potrebbero causare scosse elettriche o incendi).
- Assicurarsi di utilizzare un circuito elettrico dedicato (non condividere mai l'alimentazione con un altro prodotto).
 - Per il cablaggio, utilizzare un cavo abbastanza lungo per coprire l'intera distanza senza connessione, non utilizzare nessuna prolunga.
 - Non aggiungere altri carichi sull'alimentazione elettrica, utilizzare un circuito elettrico dedicato (in caso contrario si potrebbe causare un riscaldamento anomalo, scosse elettriche o incendi).
 - Utilizzare i tipi di cavi specifici per connessioni elettriche tra le unità interne ed esterne (fissare saldamente i cavi di interconnessione in modo che i morsetti non ricevano attrito).
 - Collegamenti o fissaggi incompleti possono causare il surriscaldamento dei morsetti o incendi.
 - Dopo il collegamento delle interconnessioni e del cablaggio di alimentazione assicurarsi di plasmare i cavi in modo che non esercitino pressioni eccessive sui pannelli o sulle coperture elettriche (installare le coperture sui cavi, la cui installazione incompleta può causare il surriscaldamento dei morsetti, scosse elettriche o incendi).
 - Durante l'installazione o lo spostamento del sistema, assicurarsi di evitare il contatto del circuito refrigerante con sostanze diverse da quelle specificate (fare riferimento alla targhetta), come l'aria (la presenza di aria o altra sostanza estranea nel circuito di refrigerazione provoca un aumento anomalo della pressione o una rottura, con conseguenti lesioni).
 - In caso di perdita di refrigerante durante i lavori di installazione, arieggiare la stanza. (Il refrigerante R32 può causare incendi ed esplosioni.)
 - Dopo aver terminato l'installazione, assicurarsi che non vi siano perdite di refrigerante (Il refrigerante R32 può causare incendi ed esplosioni.)
 - Quando si esegue la connessione dei tubi, fare attenzione a non lasciare che sostanze gassose diverse dal refrigerante specificato penetrino nel ciclo di refrigerazione (in caso contrario, ciò causerà una minore potenza, alta pressione anomala nel ciclo di refrigerazione, esplosioni e lesioni).
 - Accertarsi di creare una messa a terra e che l'unità non sia collegata tramite essa ad un tubo di alcun impianto domestico, allo scaricatore o alla linea telefonica. Una messa a terra incompleta può causare una scossa elettrica (una grossa sovratensione causata da fulmini o altre fonti può causare danni al condizionatore d'aria).
 - Un interruttore differenziale può essere necessario a seconda delle condizioni locali per evitare scosse elettriche (in caso contrario potrebbero verificarsi scosse elettriche).
 - Scollegare l'alimentazione elettrica prima del completamento del cablaggio, delle tubazioni o del controllo dell'unità.
 - Quando si spostano l'unità interna e l'unità esterna, fare attenzione a non inclinare l'unità esterna ad un'angolazione superiore ai 45 gradi. Fare attenzione a non riportare ferite dal bordo tagliente del condizionatore d'aria.
 - Installare il telecomando: Assicurarsi che la lunghezza del cavo tra l'unità interna e il telecomando sia inferiore a 40 metri.



- Non installare il condizionatore d'aria in un luogo in cui vi è il pericolo di esposizione a perdite di gas infiammabili (qualora le perdite di gas si accumulino intorno all'unità, può verificarsi un incendio).
- Installare la tubazione di drenaggio secondo le istruzioni di questo manuale (condutture non adeguate possono causare fuoriuscite d'acqua).
- Serrare il dado svasato secondo il metodo specificato ad esempio con una chiave dinamometrica. (se il dado svasato viene stretto troppo forte, rischia di rompersi dopo un lungo periodo di tempo e causare perdite di refrigerante).

2. Attrezzi e strumenti per l'installazione

Numero	Attrezzo
1	Cacciavite universale
2	Pompa a vuoto
3	Tubo di carica
4	Curvatubi
5	Chiave regolabile
6	Tagliatubi
7	Cacciavite a croce
8	Coltello o pinza spellacavi
9	Gradiente
10	Martello
11	Trapano
12	Tubo di espansione
13	Chiave esagonale interna
14	Metro a nastro

3. Installazione dell'unità interna



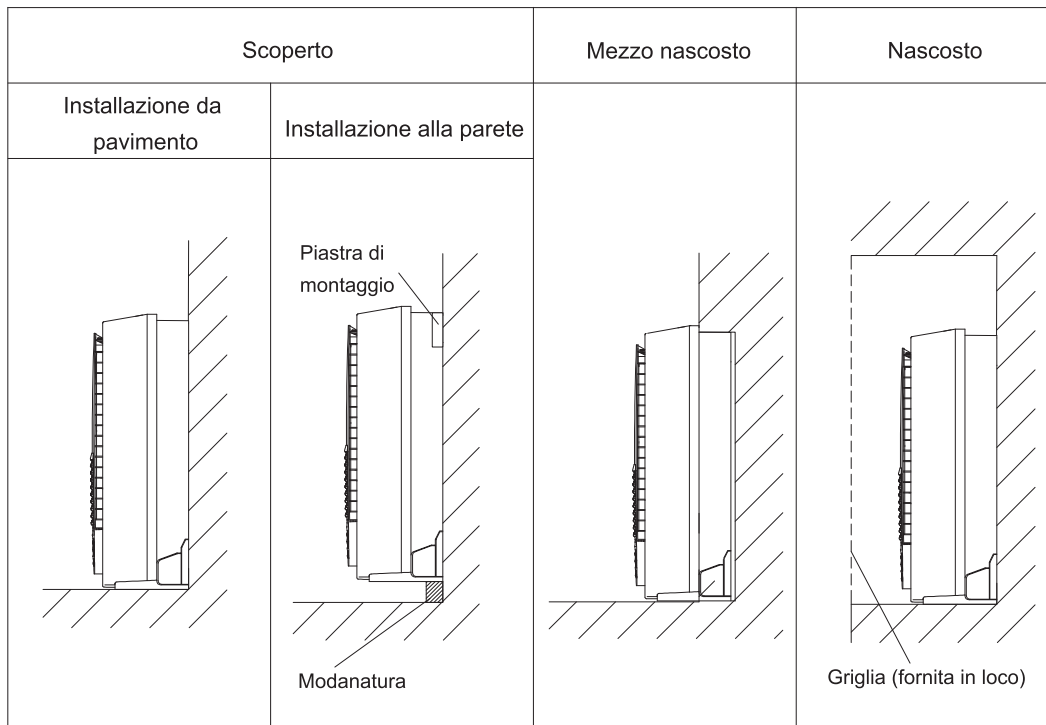
Durante l'installazione non danneggiare il materiale di isolamento sulla superficie dell'unità interna.

3.1 Prima dell'Installazione

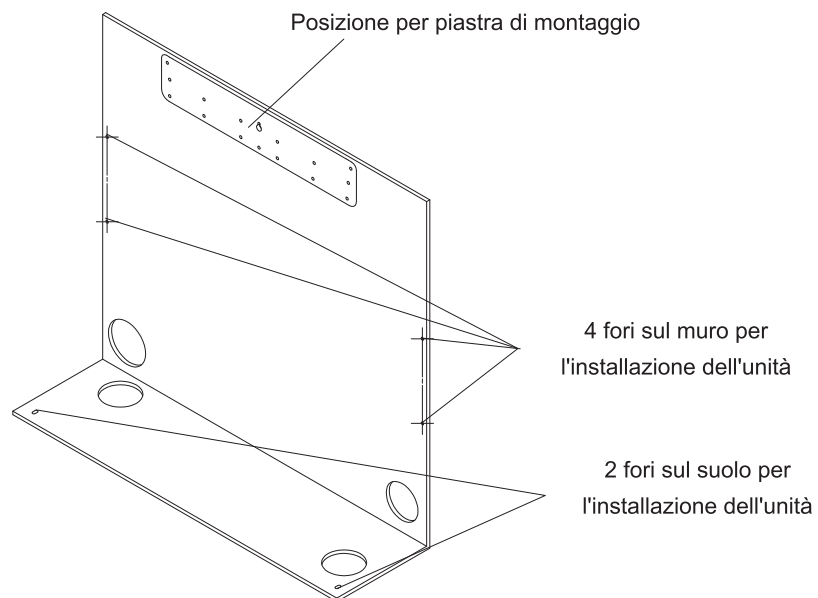
- Muovendo l'unità durante o dopo il disimballaggio, assicurarsi di sollevarla tenendo i suoi occhielli di sollevamento. Non esercitare pressione sugli altri componenti, specialmente il tubo del refrigerante, il tubo di scarico e i componenti della flangia.
- Indossare indumenti protettivi (guanti e così via) quando si installa l'unità.
- Effettuare l'installazione correttamente secondo il manuale di installazione.
- Confermare i punti seguenti:
 - Specifiche dell'alimentatore/tipo di unità
 - Piccoli componenti/cavi/tubature
 - Accessori

Installazione e manutenzione

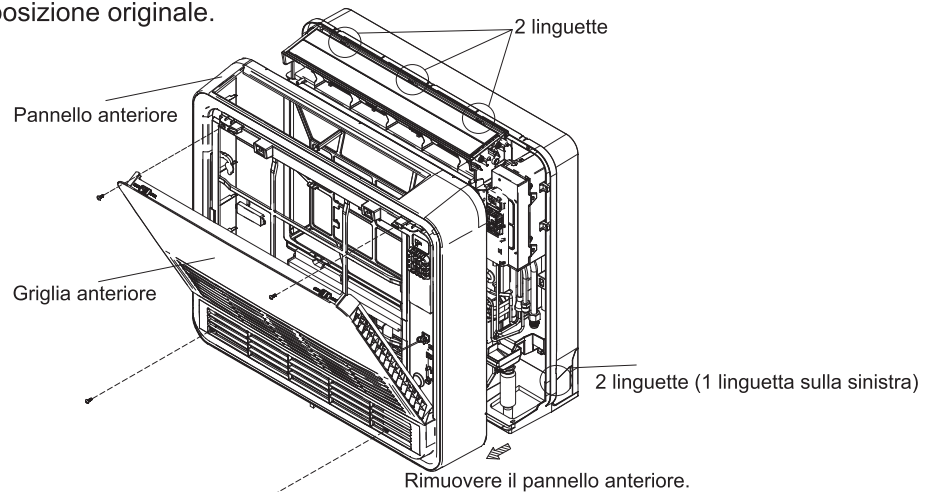
- L'unità interna può essere montata in uno dei tre stili mostrati di seguito:



- Posizione per il fissaggio del modello di installazione.



- Rimozione e installazione del pannello anteriore
- Metodo di rimozione: Aprire la griglia anteriore. Rimuovere le 4 viti e il pannello anteriore tirandolo in avanti (4 linguette).
- Metodo di installazione: Fissare il pannello anteriore con le 4 viti di installazione (4 linguette). Riportare la griglia anteriore nella posizione originale.



3.2 Posizione dell'installazione

- Selezionare le aree idonee per installare l'unità sotto approvazione dell'utente.
- Ove il passaggio dell'aria non sia bloccato.
- Ove la condensa possa fluire correttamente.
- Ove la parete sia abbastanza forte da sopportare il peso dell'unità interna. Se c'è un rischio che la parete possa cedere, rinforzarla prima di installare l'unità.
- Ove vi sia uno spazio sufficiente per la manutenzione e il funzionamento. (Vedere Fig. 3.2.1)
- Ove le tubazioni tra le unità interne ed esterne siano entro i limiti ammissibili (vedere l'installazione dell'unità esterna).
- Ove l'unità interna, quella esterna, il cablaggio dell'alimentazione e della trasmissione siano ad un metro di distanza dalle televisioni e dalla radio, ciò previene l'interferenza dell'immagine e il rumore in applicazioni elettriche. (Il rumore può essere generato in funzione delle condizioni in cui si genera l'onda elettrica, anche se una tolleranza di un metro viene mantenuta.)
- Se ci sono 2 unità di tipo senza filo, mantenerle a distanza per più di 6 m per evitare malfunzionamenti dovuti ad interferenze.
- Se più unità interne sono installate nelle vicinanze, tenerle lontano per più di 3-4 m.

Spazio per l'installazione e il funzionamento

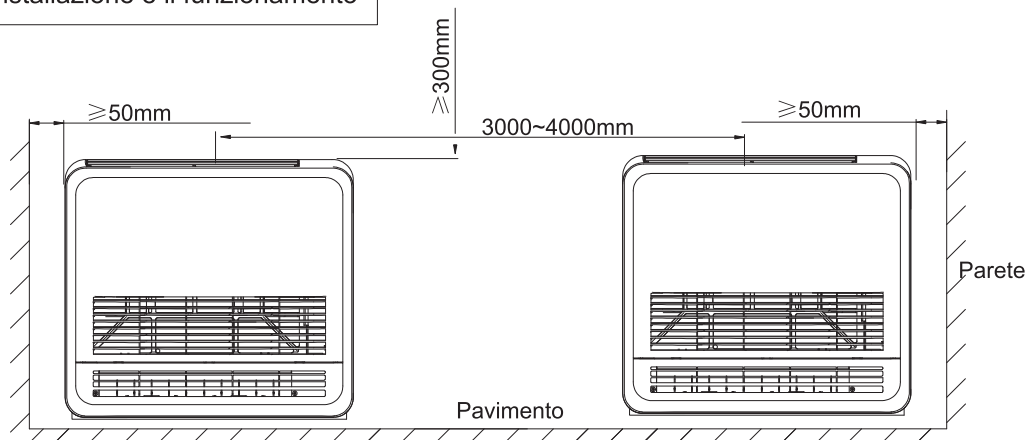
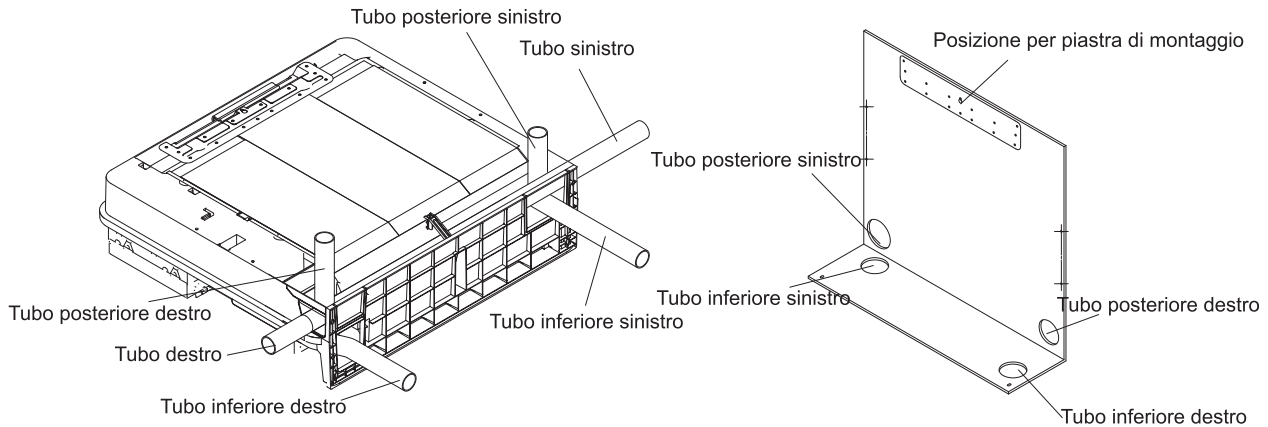


Fig. 3.2.1

3.3 Installazione allo scoperto

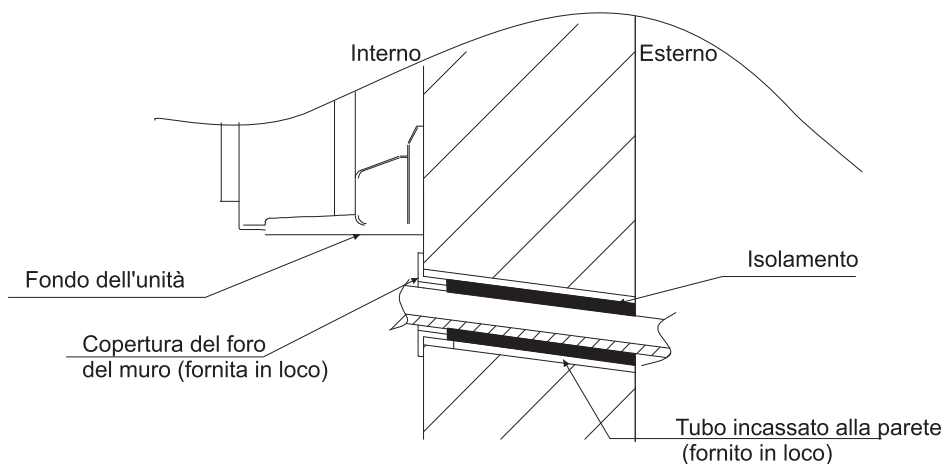
3.3.1 Tubo del refrigerante

- (1) Praticare un foro (diametro di 65 mm) nel punto indicato dal simbolo "o" nel modello di installazione come di seguito.
- (2) La posizione del foro è diversa a seconda di quale lato del tubo viene estratto.
- (3) Per i tubi, vedere 3.3.5 Collegamento del tubo del refrigerante.
- (4) Lasciare spazio attorno al tubo per facilitare il collegamento del tubo dell'unità interna.



3.3.2 Alesare un foro nel muro e installare un tubo alla parete

- Per pareti contenenti strutture metalliche o un pannello metallico, assicurarsi di utilizzare un tubo a parete e il rivestimento a parete nel foro passante per evitare possibili fonti di calore, scosse elettriche o incendi.
 - Assicurarsi di sigillare le fessure intorno ai tubi con materiale isolante per evitare perdite d'acqua.
- (1) Alesare un foro passante di 65 mm nella parete in modo che abbia una pendenza verso il basso verso l'esterno.
 - (2) Inserire un tubo da parete nel foro.
 - (3) Inserire una copertura da parete nel rispettivo tubo.
 - (4) Dopo aver installato il tubo del refrigerante, il cablaggio e le tubazioni di scarico, smussare la fessura del tubo con mastice.



3.3.3 Condotto di drenaggio

- (1) Utilizzare un tubo di cloruro di polivinile rigido commerciale (diametro esterno 26 mm, diametro interno 20 mm) per il tubo di scarico.
- (2) Il tubo di scarico (lunghezza 315 mm) e il tubo dell'acqua (lunghezza 2000 mm) sono forniti con l'unità interna. Preparare il tubo di scarico nella posizione sotto indicata.
- (3) Il tubo di scarico deve essere inclinato verso il basso con una pendenza di almeno 1/100 in modo che l'acqua scorrerà senza intasamenti (non deve essere ostacolata).
- (4) Inserire il tubo di scarico a questa profondità (50 mm o più) in modo che non venga estratto dal tubo di scarico.
- (5) Isolare il tubo di scarico interno con 10 mm o più di materiale isolante per evitare la formazione di condensa.
- (6) Rimuovere i filtri dell'aria e versare dell'acqua (circa 1000 cc) nella vaschetta di scarico per controllare che l'acqua scorra senza intoppi.



ATTENZIONE

- . L'accumulo di acqua nella tubatura di drenaggio può causare un intasamento dello scarico.
- . Non torcere o piegare il tubo di scarico, evitando di applicare una forza eccessiva su di esso. In caso contrario potrebbero verificarsi fuoriuscite d'acqua.

Fig. 3.3.4 Montaggio dell'unità interna

3.3.4.1 Preparazione

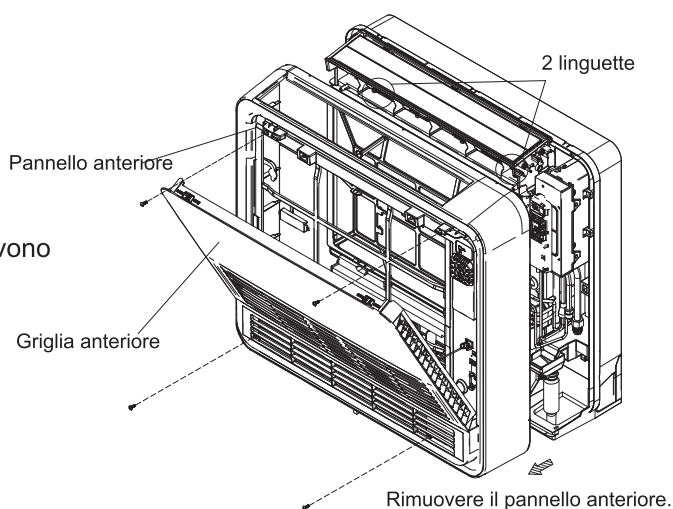
- . Aprire la griglia anteriore, rimuovere le 4 viti e smontare il pannello frontale tirandolo in avanti.
- . Seguire la procedura seguente quando si rimuovono le parti divise.

○ Per modanature

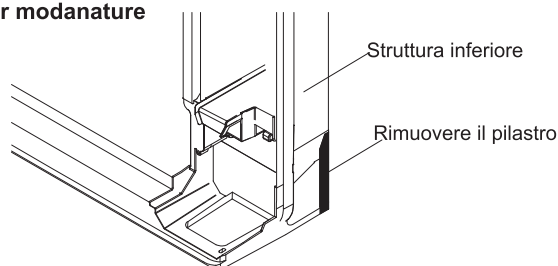
- . Rimuovere i pilastri. (Rimuovere le parti divise sulla struttura inferiore usando le pinze).

○ Per la tubatura laterale

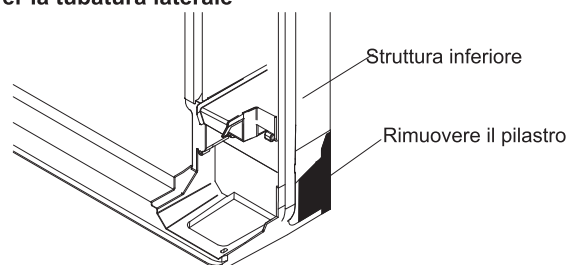
- . Rimuovere le parti divise sulla struttura inferiore usando le pinze.



Per modanature



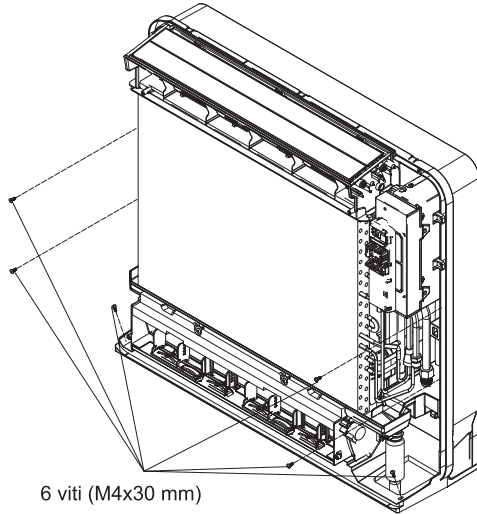
Per la tubatura laterale



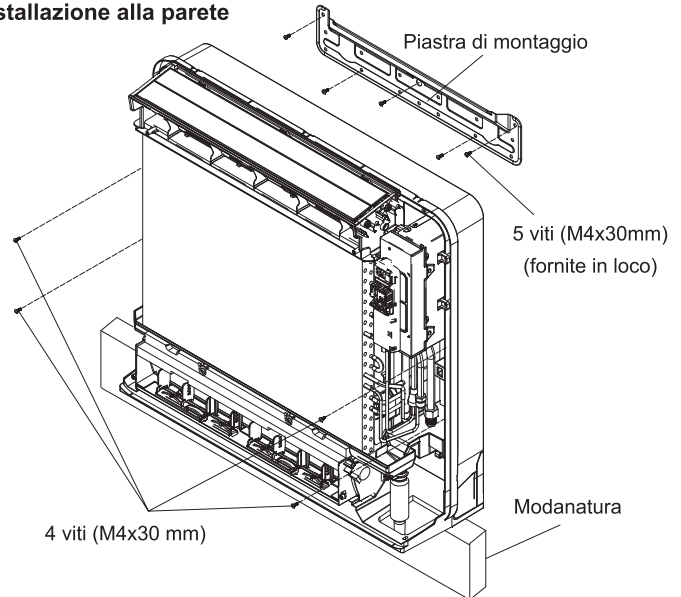
3.3.4.2 Installazione

- Fissare con 6 viti per installazioni al pavimento (non dimenticare di fissare alla parete posteriore).
 - Per l'installazione a parete, fissare la piastra di montaggio utilizzando 5 viti e l'unità interna utilizzando 4 viti.
 - La piastra di montaggio deve essere installata su una parete in grado di sostenere il peso dell'unità interna.
- (1) Fissare temporaneamente la piastra di montaggio alla parete, assicurarsi che il pannello sia completamente orizzontale e segnare i punti di fissaggio sulla parete.
 - (2) Fissare la piastra di montaggio alla parete con le viti.

Installazione da pavimento



Installazione alla parete



- (3) Una volta completate le connessioni delle tubazioni del refrigerante e di scarico, riempire con il mastice lo spazio del foro passante. Uno spazio vuoto può portare alla formazione di condensa sul tubo del refrigerante e al tubo di scarico e all'ingresso di insetti nei tubi.
- (4) Fissare il pannello anteriore e la griglia anteriore nelle posizioni originali una volta completate tutte le connessioni.

3.3.5 Collegamento del tubo del refrigerante

⚠ PERICOLO

Durante il controllo e la verifica della tenuta, non mescolare l'ossigeno, l'acetilene e i gas infiammabili e volatili, poiché tali gas sono molto pericolosi e potrebbero eventualmente causare esplosioni. Si consiglia di usare l'aria compressa, l'azoto o il refrigerante per eseguire questi esperimenti.

3.3.5.1 Materiale del condotto

- (1) Preparare il tubo di rame in posizione.
- (2) Scegliere un tubo di rame pulito, privo di polvere e umidità. Prima di installare il tubo, utilizzare l'azoto per rimuovere la polvere e le impurità dal tubo.
- (3) Scegliere il tubo di rame in base alla Fig. 4.2.

3.3.5.2 Collegamento del condotto

- (1) Le posizioni di collegamento del tubo sono mostrate nella Fig. 4.1.

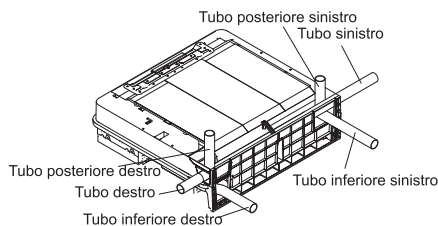


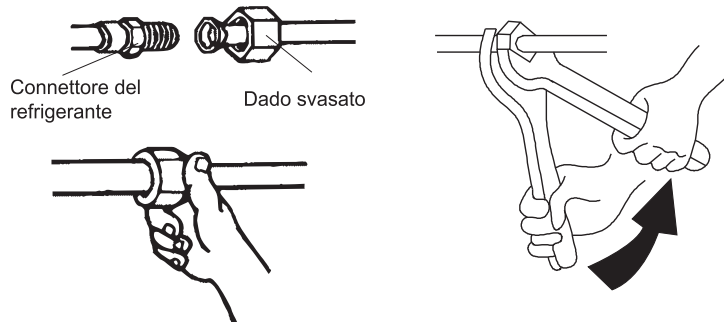
Fig. 4.1 La posizione di connessione del tubo

Potenza massima	Tubo del gas	Tubo del liquido
26/35	φ 9.52	φ 6.35
40/52	φ 12.7	φ 6.35

Fig. 4.2 Il diametro del tubo

Installazione e manutenzione

(2) Come mostrato in Fig. 4.3, allineare i centri di entrambi gli svasamenti e stringere i dadi svasati con 3 o 4 giri a mano. Quindi serrarli completamente con le chiavi dinamometriche. Avvitare i dadi con 2 chiavi.

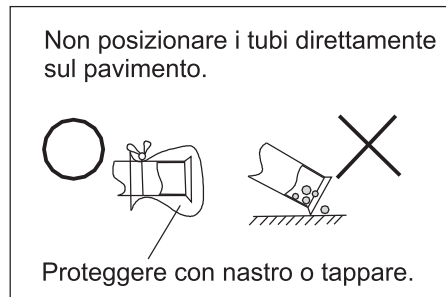


Dimensione del tubo	Coppia (N.m)
φ 6.35mm	20
φ 9.52mm	40
φ 12.7mm	60
φ 15.88mm	80
φ 19.05mm	100

Fig. 4.3 Avvitare la coppia di dadi

⚠ ATTENZIONE

- Il tubo attraversa il foro con la guarnizione.
- Proteggere l'estremità aperta del tubo da polvere e umidità.
- Tutte le piegature del tubo dovrebbero essere quanto più delicate possibile. Utilizzare un curvatubi per piegare.
- Non posizionare i tubi direttamente sul pavimento.



(3) Dopo aver collegato i tubi del refrigerante, mantenere l'alta temperatura con il materiale isolante. Assicurarsi di isolare separatamente le tubazioni del gas e del liquido.

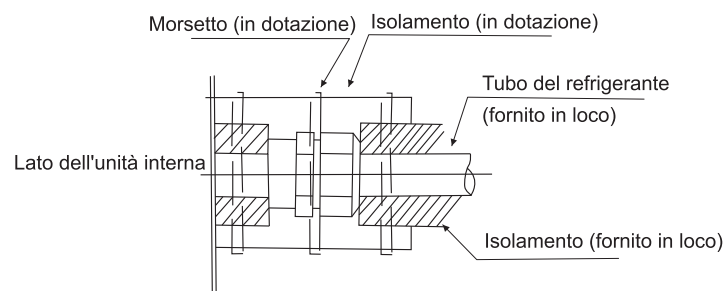
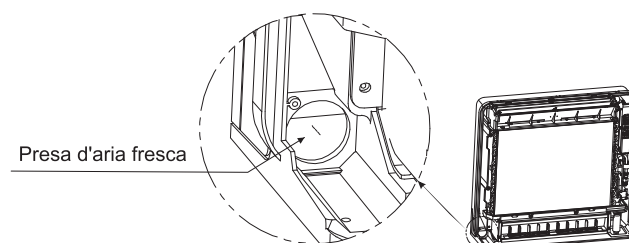


Fig 4.4 Procedura di isolamento dei tubi

3.3.6 Presa d'aria fresca

L'unità rinfresca la casa con un tubo che passa attraverso la presa d'aria fresca.



3.3.7 Cablaggio elettrico

3.3.7.1 Controllo generale

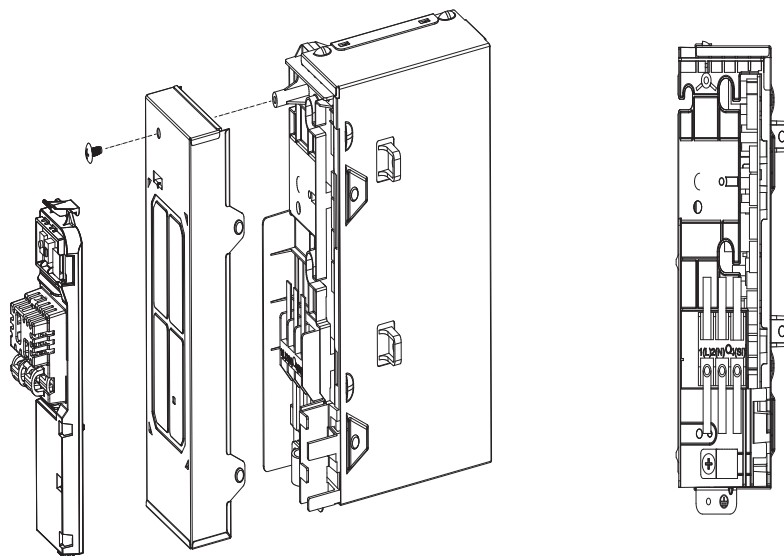


- Per serrare il cablaggio, utilizzare il materiale di fissaggio incluso per evitare di esercitare pressione esterna sui collegamenti elettrici e serrare saldamente.
- Realizzando il cablaggio, assicurarsi che sia ordinato e non provochi l'apertura del coperchio della centralina, quindi chiudere il coperchio saldamente. Quando si monta il coperchio di controllo, fare attenzione a non pestare i cavi.
- All'esterno dell'apparecchio, separare il cablaggio debole (del controllo remoto e della trasmissione) da quello forte (cablaggio della messa a terra e alimentazione) di almeno 50 mm in modo che non passino attraverso lo stesso posto. La prossimità potrebbe causare interferenze elettriche, malfunzionamenti e rotture.

3.3.7.2 Cablaggio

- Liberare il coperchio del sensore, rimuovere il coperchio della piastra metallica anteriore (1 vite) e collegare il cablaggio di derivazione alla morsettieria.

- (1) Estremità del cavo a strisce (15 mm)
- (2) Collegare i cavi con i numeri dei morsetti sulle morsettiere dell'unità interna ed esterna e avvitare saldamente i cavi ai morsetti corrispondenti secondo lo schema elettrico.
- (3) Collegare il cavo di alimentazione al terminale principale.
- (4) Collegare il filo di terra al foro con un simbolo "⊕".
- (5) Collegare il cavo del telecomando alla morsettieria secondo lo schema di cablaggio elettrico.
- (6) Tirare i cavi per assicurarsi che siano saldamente agganciati, quindi fissarli con il relativo supporto.
- (7) Assicurarsi che i cavi non vengano a contatto con il condotto metallico dello scambiatore di calore.



Nota: un cavo è collegato al terminale per impostazione predefinita. Rimuovere il cavo prima del cablaggio.



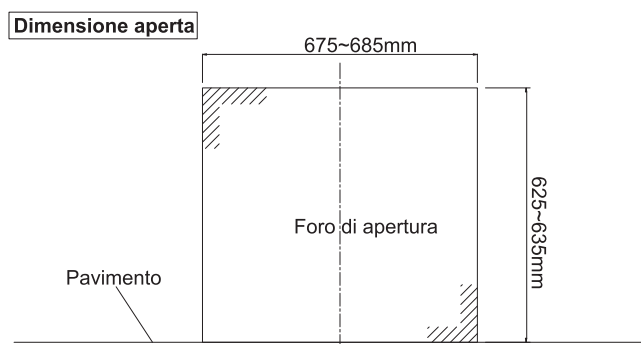
- Se i fusibili bruciano, rivolgersi al supporto tecnico per la manutenzione. Si prega di non installarli personalmente, in quanto ciò può portare ad un serio incidente, quale ad esempio una scossa elettrica.
- Non utilizzare conduttori maschiati, fili scoperti, prolunghe o connessioni a stella, poiché potrebbero causare surriscaldamento, scosse elettriche, incendi.
- Non utilizzare parti elettriche acquistate localmente all'interno del prodotto. (Non diramare l'alimentazione per la potenza di scarico, ecc., dalla morsettieria.) Ciò può provocare una scossa elettrica o un incendio.

3.4 Installazione semi-nascosta

Qui sono indicati solo gli elementi peculiari di questo metodo di installazione. Vedere 3.3 Installazione allo scoperto per ulteriori istruzioni.

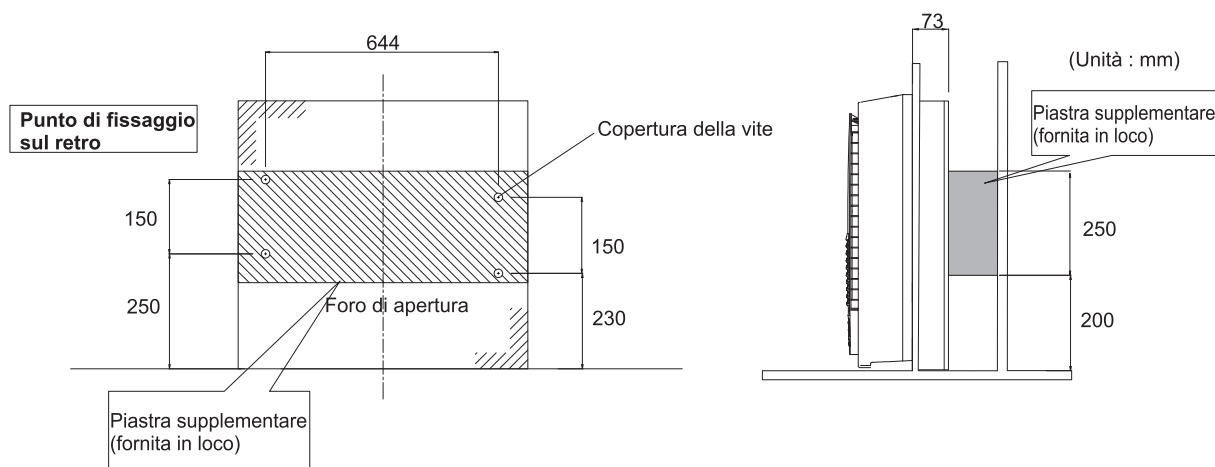
3.4.1 Foro alla parete

- Praticare un foro alla parete della dimensione mostrata nell'illustrazione a destra.



3.4.2 Installazione della piastra supplementare per il fissaggio dell'unità principale

- La parte posteriore dell'unità può essere fissata con viti nei punti mostrati nell'illustrazione come di seguito. Assicurarsi di installare la piastra supplementare in base alla profondità della parete interna.



⚠ ATTENZIONE

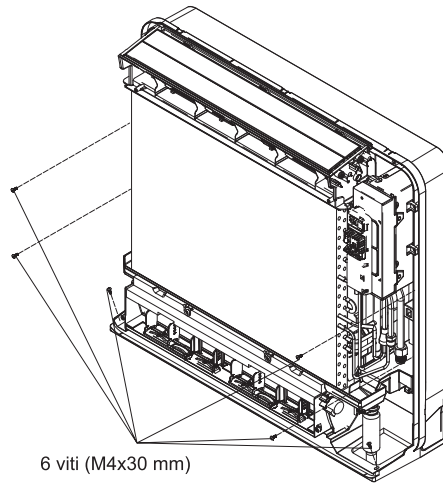
- Bisogna usare la piastra supplementare per l'installazione dell'unità, oppure ci sarà uno spazio tra l'unità e il muro.

3.4.3 Tubo del refrigerante

- Vedere 3.3.1 Tubatura del refrigerante in 3.3 Installazione dell'unità allo scoperto.

3.4.4 Montaggio dell'unità interna

- (1) Rimuovere il pannello anteriore.
- (2) Collegare l'unità interna alla parete e fissarla con le viti in 6 posizioni (M4x30mm).



ATTENZIONE

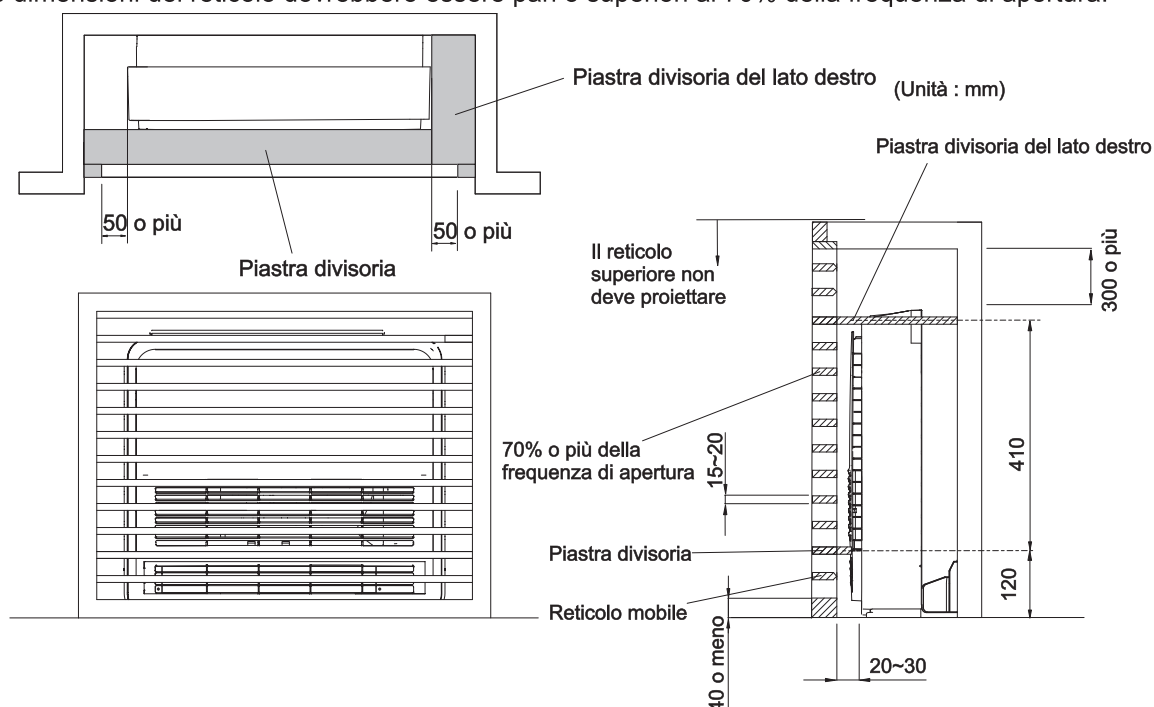
- Utilizzare il bordo della bacinella di drenaggio per la proiezione orizzontale dell'unità interna.
- Installare il condotto dell'unità interna alla parete.

3.5 Installazione nascosta

Qui sono indicati solo gli elementi peculiari di questo metodo di installazione. Vedere 3.3 Installazione allo scoperto per ulteriori istruzioni.

Installare l'unità secondo le istruzioni seguenti. La mancata osservanza di queste precauzioni può causare il mancato raffreddamento e riscaldamento e la formazione di condensa all'interno dell'apparecchio.

- (1) Lasciare spazio sufficiente tra l'unità principale e il soffitto per non ostruire il flusso di aria fredda/calda.
- (2) Posizionare una piastra divisoria tra l'uscita e le sezioni di ingresso.
- (3) Posizionare una piastra divisoria sul lato destro.
- (4) Sostituire l'interruttore di finecorsa superiore.
- (5) Utilizzare un reticolo mobile all'uscita dell'aria per consentire la regolazione della direzione del flusso di aria fredda/calda.
- (6) Le dimensioni del reticolo dovrebbero essere pari o superiori al 70% della frequenza di apertura.



3.5.1 Foro alla parete

- Vedere 3.3.1 Tubatura del refrigerante in 3.3 Installazione dell'unità allo scoperto.

3.5.2 Modifica del dip switch del flusso d'aria verso l'alto

- Impostare il dip switch del flusso d'aria su ON per limitare il flusso d'aria.
- (1) Rimuovere la griglia anteriore.
 - (2) Attivare il dip switch sul circuito stampato nella centralina elettrica.



Assicurarsi di attivare l'interruttore del flusso d'aria superiore. La mancata osservanza di questa precauzione può causare il raffreddamento e riscaldamento incompleto e la formazione di condensa all'interno dell'apparecchio.

4. Cablaggio elettrico

4.1 Controllo generale

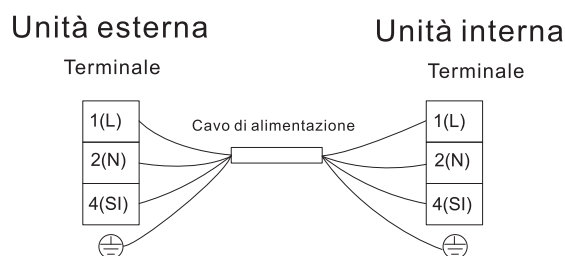


- Per serrare il cablaggio, utilizzare il materiale di fissaggio incluso per evitare di esercitare pressione esterna sui collegamenti elettrici e serrare saldamente.
 - Realizzando il cablaggio, assicurarsi che sia ordinato e non provochi l'apertura del coperchio della centralina, quindi chiudere il coperchio saldamente. Quando si monta il coperchio di controllo, fare attenzione a non pestare i cavi.
 - All'esterno dell'apparecchio, separare il cablaggio debole (del controllo remoto e della trasmissione) da quello forte (cablaggio della messa a terra e alimentazione) di almeno 50 mm in modo che non passino attraverso lo stesso posto.
- La prossimità dei cavi potrebbe causare interferenze elettriche, malfunzionamento e danni all'apparecchio.



- Se i fusibili bruciano, rivolgersi al supporto tecnico per la manutenzione. Si prega di non installarli personalmente, in quanto ciò può portare ad un serio incidente, quale ad esempio una scossa elettrica.
- (1) Rimuovere le viti sulla centralina.
 - (2) Collegare il cavo di alimentazione e il cavo di terra al terminale principale.
 - (3) Il cavo del telecomando si collega alla morsettiere secondo lo schema di cablaggio elettrico.
 - (4) Collegare l'alimentazione delle unità interna ed esterna alla morsettiere principale.
 - (5) Collegare saldamente il cavo nella centralina
 - (6) Dopo aver terminato il cablaggio, sigillare il rispettivo foro con il materiale sigillante (con il coperchio) per evitare la formazione di condensa e l'ingresso di corpi estranei.

4.2 Schema del cablaggio elettrico



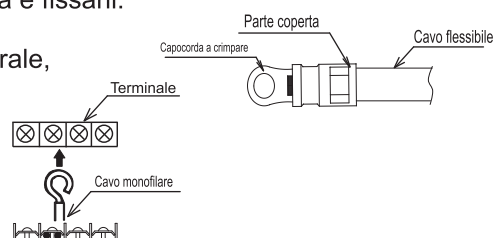
4.3 Comune

Potenza massima del MODELLO	Dimensione del cavo di trasmissione EN60335-1
26~52	4 × 1.5mm ²

NOTE:

- 1) Attenersi alle norme e ai regolamenti locali nella scelta dei cavi di messa a terra, le cui misure sopra indicate sono quelle minime.
- 2) Le dimensioni dei cavi indicati nella tabella fanno riferimento alla massima corrente dell'unità in base alla norma europea EN60335-1. Utilizzare cavi che non siano più leggeri del cavo flessibile inguainato in policloroprene ordinario (denominazione del cavo H07RN-F).
Quando si collega il blocco del terminale utilizzando un cavo flessibile, assicurarsi di utilizzare capicorda a crimpare per il collegamento alla morsettiera di alimentazione.
Collocare i capicorda a crimpare ai cavi fino alla parte coperta e fissarli.

Quando si collega la morsettiera utilizzando un unico filo centrale, assicurarsi di fissarla saldamente.



- 3) Quando la lunghezza del cavo di trasmissione è superiore a 15 metri, bisogna selezionare un cavo maggiore.
- 4) Utilizzare un cavo schermato per il circuito di trasmissione ed effettuare la messa a terra.
- 5) Nel caso in cui i cavi siano collegati in serie, aggiungere la corrente massima di ciascuna unità e selezionare i cavi sottostanti.

Selezione in conformità alla norma EN60335-1

Corrente I (A)	Dimensione dei cavi (mm ²)
$i \leq 6$	0.75
$6 < i \leq 10$	1
$10 < i \leq 16$	1.5
$16 < i \leq 25$	2.5
$25 < i \leq 32$	4
$32 < i \leq 40$	6
$40 < i \leq 63$	10
$63 < i$	*

* nel caso in cui la corrente superi i 63A, non collegare i cavi in serie.

5. Sperimentazione

Eseguire la prova in base al manuale di installazione dell'unità esterna.



Corretto smaltimento del prodotto

Questo simbolo indica che nel territorio dell'UE questo prodotto non può essere smaltito con gli altri rifiuti domestici. Per prevenire danni all'ambiente o alla salute umana a causa di uno smaltimento di rifiuti non conforme, smaltire l'apparecchio in modo responsabile per promuovere il sostenibile riutilizzo delle risorse materiali. Per smaltire il dispositivo usato, utilizzare i sistemi di ritiro e raccolta o contattare il rivenditore presso il quale è stato acquistato il prodotto. Questi possono ritirare il prodotto per un riciclaggio ambientale sicuro.

Hisense

INSTRUCCIONES DE USO E INSTALACIÓN


ESPAÑOL


Muchas gracias por comprar este aire acondicionado. Lea detenidamente estas instrucciones de uso e instalación antes de instalar y utilizar el aparato y conserve el manual para futuras consultas.

Indicaciones de advertencia	1
Precauciones de seguridad	3
Composición del climatizador	8
Manual de funcionamiento	
Comentarios especiales	10
Solución de problemas	10
Instalación y mantenimiento	
1. Aviso de seguridad.....	13
2. Herramientas e instrumentos para la instalación.....	14
3. La instalación de la unidad interna	14
3.1 Antes de la instalación	14
3.2 Ubicación de la instalación	16
3.3 Instalación expuesta	17
3.4 Instalación medio oculta	22
3.5 Instalación oculta	24
4. Cableado eléctrico	25
4.1 Comprobación general.....	25
4.2 Diagrama de cableado eléctrico	25
4.3 Común	26
5. Prueba de funcionamiento	26

Símbolos de alerta:

 **PELIGRO** :Este símbolo indica un riesgo que puede causar una lesión personal grave o muerte.

 **ADVERTENCIA** :Este símbolo indica un riesgo o práctica no segura que podría causar una lesión personal grave o muerte.

 **PRECAUCIÓN** :Este símbolo indica un riesgo o práctica no segura que podría causar una lesión personal, o daños al producto o a la propiedad.

:Se refiere a las observaciones e instrucciones de uso, mantenimiento y servicio.

- Le recomendamos que un técnico calificado instale este aire acondicionado en función a las instrucciones de instalación brindadas con la unidad.
- Antes de la instalación, compruebe si el voltaje de la fuente de alimentación del hogar, o la oficina, es el mismo que se muestra en la placa.

PELIGRO

- No debe realizar ninguna modificación en este producto. De lo contrario, puede provocar fugas de agua, averías, cortocircuitos, descargas eléctricas, incendios, etc.
- Para garantizar la seguridad del lugar, el trabajo de soldadura de la tubería y otros deberían realizarse lejos de recipientes con material explosivo inflamable, incluyendo el refrigerante del aire acondicionado.
- Para proteger el aire acondicionado de corrosiones fuertes, evite instalar la unidad externa donde el salitre del mar pueda salpicar directamente en la unidad o cerca de spas donde hay aire sulfuroso. No instale el aire acondicionado donde haya objetos que generan gran cantidad de calor.

ADVERTENCIA

- En caso de peligro, si el cable de alimentación está dañado, se debe reemplazar por uno de fábrica o del departamento de servicio.
- El lugar donde se instaló el producto debe contar con una instalación eléctrica a tierra y un equipo confiable. Para evitar recibir descargas eléctricas y daños causados por otros factores, no conecte la conexión a tierra de este producto a distintos tipos de tubería de alimentación de aire, tubería de desagüe, instalación de protección de iluminación o a otras tuberías.
- El cableado lo debe realizar un electricista calificado. Todo el cableado debe cumplir con los códigos eléctricos locales.
- Tenga en cuenta la capacidad de corriente eléctrica de su medidor de kilovatio-hora y del tomacorrientes antes de realizar la instalación.
- El cable de potencia donde está instalado el producto debe tener un dispositivo de protección de fugas independiente y un dispositivo de protección de sobrecarga eléctrica, los mismos son suministrados para este producto.
- Este electrodoméstico no está destinado para ser utilizado por personas (incluidos niños) con capacidades mentales, sensoriales y físicas reducidas o falta de experiencia y conocimiento, al menos que hayan sido supervisados o instruidos sobre el uso del electrodoméstico por una persona responsable por su seguridad.
- Se debe supervisar a los niños pequeños para asegurarse de que no jueguen con el electrodoméstico.
- Los medios para la desconexión, que pueden brindar desconexión total en todos los polos, se deben incorporar al cableado fijo según las normas de cableado.

Indicaciones de advertencia

- Lea detenidamente este manual antes de utilizar el aire acondicionado. Si todavía tiene alguna duda o problema, solicite ayuda a su distribuidor.
- Este aire acondicionado ha sido diseñado para ofrecerle unas condiciones ambientales cómodas. Utilice esta unidad solo para la finalidad prevista descrita en este manual de instrucciones.

ADVERTENCIA

- Nunca utilice gasolina ni gases inflamables cerca del aire acondicionado, ya que es muy peligroso.
- Está prohibido seguir utilizando el aire acondicionado cuando su funcionamiento sea anormal, por ejemplo, cuando desprenda olor a quemado, muestre deformaciones, fuego, humo, etc. Debe cortar inmediatamente el interruptor principal de alimentación eléctrica y contactarse con un agente.

PRECAUCIÓN

- No encienda ni apague el aire acondicionado con el interruptor principal. Utilice el botón de operación de encendido y apagado.
- No enganche nada en la entrada de aire ni en la salida de aire de las unidades interior y exterior. Es peligroso porque el ventilador gira a mucha velocidad.
- No enfríe ni caliente demasiado la habitación si hay niños o personas discapacitadas presentes.
- En las partes siguientes se detalla el método de conexión del aparato a la alimentación eléctrica y la interconexión de los componentes individuales, y el diagrama de cableado con indicaciones claras de las conexiones, el cableado a los dispositivos externos y el cable de alimentación.
- Se debe usar el cable de tipo H07RN-F o un tipo eléctricamente equivalente para la conexión eléctrica y la interconexión entre la unidad exterior y la unidad interior. A continuación se detalla el tamaño del cable.
- Los detalles del tipo y clasificación de los disyuntores/ ELB se describen en el manual de la unidad externa.
- A continuación se detalla la información de las dimensiones de espacio necesario para la correcta instalación del aparato incluyendo las distancias mínimas permitidas a las estructuras adyacentes.

Nota:

- Condiciones de almacenamiento: Temperatura -25~60°C
Humedad 30%~80%

Precauciones para usar el refrigerante R32

Los procedimientos de trabajo básico de instalación son los mismos que con refrigerante convencional (R22 o R410A).

Sin embargo, preste atención a los puntos siguientes:

ADVERTENCIA

1. Transporte de equipo que contenga refrigerantes inflamables.

Llama la atención el hecho de que pueden existir regulaciones de transporte adicionales con respecto a los equipos con contenido de gases inflamables. El número máximo de piezas de equipo o la configuración de equipos permitidos para transportar juntos estará determinado por las regulaciones de transporte vigentes.

2. Marcas de equipo usando señalización.

Las regulaciones locales habitualmente explican las señales de aparatos similares (que contienen refrigerantes inflamables) utilizadas en el área de trabajo e indican los requisitos mínimos para proporcionar los signos de seguridad y/o salud de una ubicación de trabajo. Se deben mantener todas las señales requeridas y los empleadores deben garantizar que los empleados reciban instrucciones adecuadas y suficientes y formación acerca del significado de las señales y acciones correspondientes que se deben tomar en relación con dichas señales. La efectividad de las señales no debe verse disminuida por la acumulación de señales colocadas juntas. Los pictogramas utilizados deben ser lo más sencillos posibles y contener solo la información fundamental.

3. Eliminación de equipo que use refrigerantes inflamables.

Cumplimiento de las regulaciones nacionales.

4. Almacenamiento de equipo/aparatos.

El almacenamiento de equipo debe realizarse en cumplimiento de las instrucciones del fabricante.

5. Almacenamiento del equipo embalado (no vendido).

- La protección del embalaje de almacenamiento se debe construir de forma que los daños mecánicos al equipo de su interior del embalaje no causen filtraciones de la carga de refrigerante.
- El número máximo de piezas de equipo permitidas para que se almacenen juntas estará determinado por las regulaciones locales.

6. Información sobre el mantenimiento

6-1 Comprobaciones de la zona

Antes de empezar el trabajo en sistemas que contienen refrigerantes inflamables, son necesarias las comprobaciones de seguridad para garantizar que el riesgo de ignición esté minimizado. Para realizar reparaciones en el sistema de refrigeración, se deben respetar las siguientes precauciones antes de trabajar en el sistema.

6-2 Procedimiento de trabajo

El trabajo debe realizarse bajo un procedimiento controlado para minimizar el riesgo de que haya presentes gases o vapores inflamables mientras se realiza el trabajo.

6-3 Zona de trabajo general

- Todo el personal de mantenimiento y de otros departamentos que trabajan en la zona local debe estar instruido sobre la naturaleza del trabajo a realizar. Se debe evitar trabajar en espacios confinados.
- La zona alrededor del área de trabajo debe estar aislada. Asegúrese de que las condiciones del interior de la zona sean seguras controlando el material inflamable.

6-4 Comprobar la presencia de refrigerante

- Se debe comprobar la zona con un detector de refrigerante adecuado antes y durante el trabajo para garantizar que el técnico conozca la presencia de atmósferas potencialmente inflamables.
- Asegúrese de que el equipo de detección de fugas utilizado sea adecuado para refrigerantes inflamables, es decir, que no produzca chispas, esté sellado adecuadamente o sea seguro intrínsecamente.

6-5 Presencia de un extintor de incendios

- Si se deben realizar trabajos en caliente con el equipo de refrigeración o alguna pieza asociada, el equipo de extinción de incendios adecuado debe estar accesible.
- Tenga un extintor de incendios de polvo seco o de CO₂ adyacente a la zona de carga.

6-6 Ausencia de fuentes de ignición

- Ninguna persona que realice trabajos relacionados con un sistema de refrigeración que implique exponer tuberías que contienen o hayan contenido refrigerantes inflamables deberá usar fuentes de ignición de manera que pueda generar un riesgo de incendio o explosión.
- Todas las fuentes de ignición, entre ellas cigarrillos, deben mantenerse lo suficientemente alejadas del sitio del trabajo de instalación, reparación, retirada o eliminación, durante el que pudiera liberarse refrigerante inflamable al espacio adyacente.
- Antes de que tenga lugar el trabajo, se debe inspeccionar la zona alrededor del equipo para asegurarse de que no existan peligros inflamables ni riesgos de ignición. Debe haber presentes señales de "No fumar".

6-7 Zona ventilada

- Asegúrese de que la zona esté abierta o ventilada adecuadamente antes de acceder al sistema o realizar trabajos en caliente.
- Se debe mantener la ventilación durante el periodo en que se lleve a cabo el trabajo.
- La ventilación debe dispersar de forma segura los refrigerantes liberados y, preferiblemente, expulsar a la atmósfera exterior.

6-8 Comprobaciones del equipo de refrigeración

- Cuando se estén cargando componentes eléctricos, deben ser adecuados para su finalidad y según la especificación correcta.
- Se deben seguir en todo momento las pautas de mantenimiento y servicio del fabricante. Si tiene dudas, consulte con el departamento técnico del fabricante.

PRECAUCIÓN

- Se deben realizar las siguientes comprobaciones de las instalaciones que usen refrigerantes inflamables:
 - El tamaño de la carga deberá conformarse al tamaño de la sala donde estén instaladas las piezas que contengan refrigerante.
 - La maquinaria y las salidas de ventilación deben operarse adecuadamente y no estar obstruidas.
 - Si se utiliza un circuito de refrigeración indirecta, se debe comprobar la presencia de refrigerante en el circuito secundario.
 - Las marcas del equipo siguen siendo visibles y legibles. Las marcas y señalización que sean ilegibles serán corregidas.
 - El tipo de refrigeración o los componentes están instalados en una posición en la que es improbable que se vean expuestos a sustancias que puedan corroer los componentes que contienen refrigerante, excepto si los componentes están contruidos con materiales que sean inherentemente resistentes a la corrosión o estén protegidos adecuadamente contra la corrosión.

6-9 Comprobaciones de los dispositivos eléctricos

- La reparación y el mantenimiento de los componentes eléctricos deben incluir las comprobaciones iniciales de seguridad y los procedimientos de inspección de los componentes.
- Si existiera algún fallo que pudiera comprometer la seguridad, no se debe conectar la alimentación eléctrica al circuito hasta que se gestione de forma satisfactoria.
- Si no se puede corregir inmediatamente el fallo pero es necesario continuar con la operación, se deberá usar una solución temporal adecuada.
- Se deberá informar al propietario del equipo para que todas las partes lo conozcan.
- Las comprobaciones iniciales de seguridad incluyen:
 - Que los condensadores estén descargados: se debe realizar de manera segura para evitar la posibilidad de creación de chispas.
 - Que no haya componentes eléctricos con carga eléctrica ni cables expuestos durante la carga, recuperación o purga del sistema.
 - Que se mantenga la conexión a tierra.

7. Reparación de los componentes sellados

- Durante la reparación de los componentes sellados, se debe desconectar toda alimentación eléctrica desde el equipo sobre el que se trabaja antes de retirar las tapas selladas, etc.
- Si es absolutamente necesario tener alimentación eléctrica al equipo durante el mantenimiento, se debe disponer permanentemente de una forma de detección de fugas en el punto más crítico para advertir de una situación potencialmente peligrosa.
- Se debe prestar especial atención a los siguientes factores para garantizar que, al trabajar en los componentes eléctricos, la carcasa no sea alterada de forma que el nivel de protección se vea afectado.
- Esto incluye daños a los cables, un número excesivo de conexiones, terminales no realizados según la especificación original, daños en las juntas, instalación incorrecta, etc.
- Asegúrese de que el aparato esté montado de forma segura.
- Asegúrese de que los sellos o los materiales sellantes no se hayan degradado de forma que ya no puedan evitar la entrada de atmósferas inflamables.
- La sustitución de piezas debe realizarse en conformidad con las especificaciones del fabricante.
NOTA: El uso de selladores de silicona podría inhibir la eficacia de algunos tipos de equipos de detección de fugas.
Los componentes intrínsecamente seguros no necesitan estar aislados antes de trabajar con ellos.

8. Reparación de componentes intrínsecamente seguros

- No aplique cargas de capacitancia o inductivas permanentes al circuito sin asegurarse de que no exceda la tensión y la corriente permitidas para el equipo en uso.
- En presencia de atmósferas inflamables solo se puede trabajar con componentes intrínsecamente seguros. El aparato de prueba debe tener la calificación correcta.
- Utilice solo piezas especificadas por el fabricante para sustituir los componentes.
- Otras piezas podrían provocar la ignición del refrigerante que se haya filtrado a la atmósfera.

9. Cableado

- Compruebe que el cableado no esté sujeto a desgaste, corrosión, presión excesiva, vibraciones, bordes afilados u otros efectos adversos del entorno.
- La comprobación también debe tener en cuenta los efectos del envejecimiento o la vibración continua de fuentes como los compresores o los ventiladores.

PRECAUCIÓN

10. **Detección de refrigerantes inflamables**

- Bajo ninguna circunstancia deben usarse fuentes potenciales de ignición para buscar o detectar fugas de refrigerante.
- No se deben usar linternas de halógenos (ni otros detectores que usen llamas vivas).

11. **Métodos de detección de fugas**

Los siguientes métodos de detección de fugas son considerados aceptables para sistemas que contengan refrigerantes inflamables:

- Se deben usar detectores electrónicos de fugas para detectar refrigerantes inflamables, pero la sensibilidad podría no ser adecuada o podría ser necesario recalibrarlos (el equipo de detección debe calibrarse en una zona sin refrigerante).
- Asegúrese de que el detector no sea una fuente potencial de ignición y que sea adecuado para el refrigerante usado.
- El equipo de detección de fuga se establecerá en un porcentaje del LFL del refrigerante y se calibrará para el refrigerante empleado y se confirmará el porcentaje de gas (máximo 25%) adecuado.
- Los líquidos de detección de fugas son adecuados para usar con la mayoría de refrigerantes, pero se debe evitar usar detergentes que contengan cloro, ya que podría reaccionar con el refrigerante y corroer las tuberías de cobre.
- Si se sospecha que hay fugas, se debe retirar/extinguir todas las llamas vivas.
- Si se encuentra una fuga de refrigerante que requiera soldadura, se debe recuperar todo el refrigerante del sistema o aislarlo (mediante válvulas de cierre) en una parte del sistema alejada de la fuga.
- Después se debe purgar el nitrógeno sin oxígeno del sistema antes y durante el proceso de soldadura.

12. **Retirada y evacuación**

- Al acceder al circuito de refrigerante para realizar las reparaciones, o con otros fines, se deben utilizar los procedimientos convencionales.
- Sin embargo, es importante seguir las buenas prácticas ya que la inflamabilidad es una consideración.
- Se debe respetar el siguiente procedimiento:
 - Retirar el refrigerante.
 - Purgar el circuito con gas inerte.
 - Evacuar.
 - Purgar otra vez con gas inerte.
 - Abrir el circuito con cortes o soldaduras.
- Se debe recuperar la carga de refrigerante con los cilindros de recuperación correctos.
- Se debe "purgar" el sistema con nitrógeno sin oxígeno para que la unidad sea segura.
- Es posible que sea necesario repetir este proceso varias veces.
- No se debe usar aire comprimido ni oxígeno para realizar esta tarea.
- La purga debe realizarse rompiendo el vacío del sistema con nitrógeno sin oxígeno y llenándolo hasta alcanzar la presión de trabajo, después ventilándolo a la atmósfera y, por último, aplicando un vacío.
- Este proceso debe repetirse hasta que no quede refrigerante en el sistema. Cuando se use una carga de nitrógeno sin oxígeno, se debe ventilar el sistema con una presión atmosférica para permitir que tenga efecto.
- Esta operación es absolutamente fundamental si se requieren soldaduras en las tuberías.
- Asegúrese de que la salida de la bomba de vacío no esté cerca de fuentes de ignición y que se disponga de ventilación.

13. **Procedimientos de carga**

- Además de los procedimientos de carga convencionales, se debe cumplir los siguientes requisitos:
 - Garantizar que no haya contaminación de diferentes refrigerantes al usar el equipo de carga.
 - Las mangueras o tuberías deben ser lo más cortas posibles para minimizar la cantidad de refrigerante contenido en ellas.
 - Los cilindros deben permanecer en posición vertical.
 - Garantizar que el sistema de refrigeración esté conectado a tierra antes de cargar el sistema con refrigerante.
 - Etiquetar el sistema cuando la carga esté completa (si no lo está ya).
 - Se debe tener mucho cuidado para no sobrecargar el sistema de refrigeración.
 - Antes de recargar el sistema, se debe probar la presión con nitrógeno sin oxígeno.
- Se debe comprobar si hay fugas en el sistema al finalizar la carga pero antes de ponerlo en marcha.
- Se debe realizar una segunda prueba de fugas antes de abandonar el sitio.

14. **Desmantelamiento**

Antes de llevar a cabo este procedimiento, es fundamental que el técnico esté completamente familiarizado con el equipo y todos sus detalles.
Una buena práctica recomendada es recuperar de forma segura todos los refrigerantes.

PRECAUCIÓN

Antes de llevar a cabo la tarea, se debe tomar una muestra de aceite y de refrigerante en caso de que sea necesario un análisis antes de reutilizar el refrigerante recuperado. Es fundamental disponer de alimentación eléctrica antes de comenzar la tarea.

a) Familiarícese con el equipo y su funcionamiento.

b) Aísle eléctricamente el sistema.

c) Antes de intentar el procedimiento, asegúrese de que:

- Haya disponibles equipos de manipulación mecánica, si fuera necesario, para manipular los cilindros de refrigerante.
- Todo el equipo de protección personal esté disponible y se utilice correctamente.
- El proceso de recuperación esté supervisado en todo momento por una persona competente.
- El equipo y los cilindros de recuperación sean conformes a la normativa pertinente.

d) Bombee el sistema del refrigerante, si fuera necesario.

e) Si no es posible realizar un vacío, utilice un distribuidor de forma que se pueda retirar el refrigerante desde varias partes del sistema.

f) Asegúrese de que el cilindro esté situado en las escalas antes de llevar a cabo la recuperación.

g) Inicie la máquina de recuperación y opérela siguiendo las instrucciones del fabricante.

h) No sobrecargue los cilindros (no más de un 80% de volumen de carga de líquido).

i) No exceda la presión de trabajo máxima del cilindro, ni siquiera temporalmente.

j) Cuando se hayan llenado correctamente los cilindros y se haya completado el proceso, asegúrese de retirar inmediatamente los cilindros y el equipo del sitio y que todas las válvulas de aislamiento estén cerradas.

k) No se debe cargar el refrigerante recuperado en otro sistema de refrigeración excepto si se ha limpiado y comprobado.

15. **Etiquetado**

Se debe etiquetar el equipo indicando que ha sido desmantelado y vaciado de refrigerante.

La etiqueta debe indicar la fecha y estar firmada.

Asegúrese de que haya etiquetas en el equipo indicando que contiene refrigerante inflamable.

16. **Recuperación**

• Al retirar refrigerante de un sistema, ya sea para realizar el mantenimiento o desmantelarlo, una buena práctica recomendada es retirar de forma segura todos los refrigerantes.

• Al transferir refrigerante a los cilindros, asegúrese de emplear únicamente cilindros de recuperación de refrigerante adecuados.

• Asegúrese de disponer del número correcto de cilindros para contener la carga total del sistema.

• Todos los cilindros a usar están designados para el refrigerante recuperado y etiquetados para ese refrigerante (es decir, cilindros especiales para recuperar refrigerante).

• Se completará los cilindros con una válvula de alivio de presión y válvulas de cierre relacionadas en buen funcionamiento.

• Los cilindros de recuperación vacíos se evacúan y, si es posible, enfrían antes de la recuperación.

• El equipo de recuperación debe estar en buen funcionamiento con un conjunto de instrucciones relativas al equipo disponible y debe ser adecuado para la recuperación de refrigerantes inflamables.

• Además, se debe disponer de un juego de básculas de pesaje calibradas y en buen funcionamiento.

• Las mangueras deben estar completadas con acoples de desconexión sin fugas y en buen funcionamiento.

• Antes de usar la máquina de recuperación, compruebe que funcione satisfactoriamente, haya sido mantenido adecuadamente y que los componentes eléctricos asociados estén sellados para evitar la ignición en caso de liberación del refrigerante.

• Si tiene dudas, consulte con el fabricante.

• El refrigerante recuperado debe ser devuelto al proveedor en el cilindro de recuperación correcto y con la nota de transferencia de residuos concertada.

• No mezcle refrigerantes en unidades de recuperación y, especialmente, en cilindros.

• Si fuera necesario retirar los compresores o los aceites compresores, asegúrese de que hayan sido evacuados a un nivel aceptable para garantizar que no quede refrigerante inflamable dentro del lubricante.

• Se debe llevar a cabo el proceso de evacuación antes de devolver el compresor a los proveedores.

• Solo se debe emplear calefacción eléctrica en el cuerpo del compresor para acelerar este proceso.

• El drenaje de aceite de un sistema debe realizarse de forma segura.





PRECAUCIÓN

- Se debe instalar, operar y almacenar el aparato en una sala con un área de suelo mayor de X (consulte X a continuación).
- La instalación de las tuberías debe realizarse en una sala con un área de suelo mayor de X (consulte X a continuación).
- Las tuberías deben cumplir las regulaciones nacionales sobre gas.
- Al mover o reubicar el aire acondicionado, consulte a técnicos de mantenimiento expertos para desconectar y reinstalar la unidad.
- No coloque otros productos eléctricos o enseres domésticos bajo la unidad interior o la unidad exterior.
- Las gotas de condensación de la unidad podrían mojarlos y causar daños o un mal funcionamiento de la propiedad.
- No utilice medios para acelerar el proceso de descongelación o de limpieza que no sean los recomendados por el fabricante.
- Se debe almacenar el aparato en una sala sin fuentes de ignición en funcionamiento continuo (por ejemplo, llamas vivas, aparatos de gas o calentadores eléctricos en funcionamiento).
- No lo perforo ni queme.
- Tenga en cuenta que es posible que los refrigerantes no tengan olor.
- Mantenga las aperturas de ventilación libres de obstrucciones.
- Debe almacenar el aparato en una zona bien ventilada donde el tamaño de la sala corresponda al área de la sala especificada para la operación.
- Se debe almacenar el aparato en una sala sin llamas vivas (por ejemplo, aparatos de gas) ni fuentes de ignición (por ejemplos, calentadores eléctricos en funcionamiento).
- Todas las personas implicadas en el trabajo o el mantenimiento de un circuito refrigerante deben contar con un certificado válido y vigente de una autoridad de evaluación acreditada, que autorice su competencia para manipular refrigerantes de forma segura en conformidad con una especificación de evaluación reconocida por la industria.
- El aparato debe instalarse y almacenarse para prevenir que le ocurran daños mecánicos.
- El mantenimiento debe realizarse únicamente según las recomendaciones del fabricante del equipo.
- Los trabajos de mantenimiento y reparación que requieran asistencia de otro personal cualificado se deben realizar bajo la supervisión de una persona competente en el uso de refrigerantes inflamables.
- No utilice medios para acelerar el proceso de descongelación o de limpieza que no sean los recomendados por el fabricante.

Área de superficie mínima requerida X (m²)

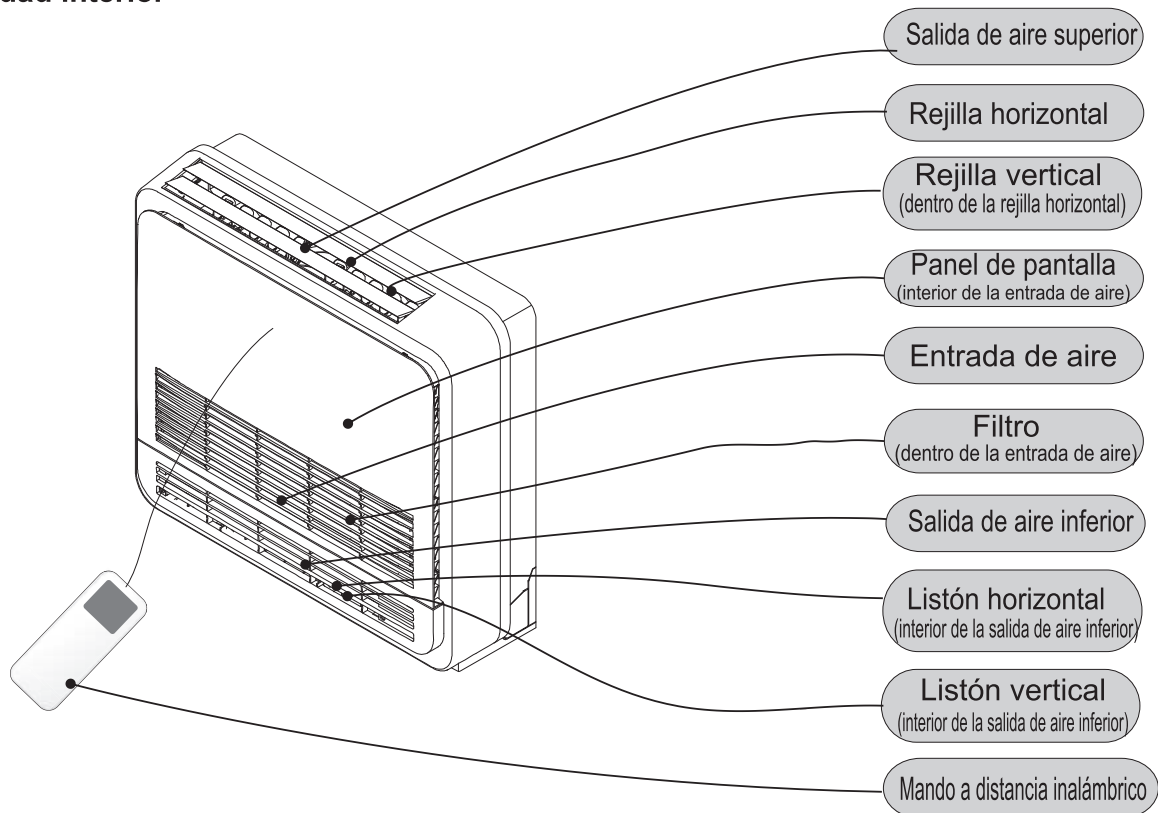
Serie	Modelo	Altura de instalación (m)			
		0.6	1.0	1.8	2.2
Multi-split	26~52	111	40	12	8
Unitario	26/35	13.3	4.8	1.5	1
	40/52	30.2	10.9	3.4	2.2

Explicación de los símbolos mostrados en la unidad interior o en la unidad exterior.

	ADVERTENCIA	Este símbolo muestra que este aparato utiliza un refrigerante inflamable. Si hay una fuga de refrigerante y queda expuesto a una fuente de ignición externa, existe el riesgo de incendio.
	PRECAUCIÓN	Este símbolo muestra que se debe leer detenidamente el manual de funcionamiento.
	PRECAUCIÓN	Este símbolo muestra que un técnico de mantenimiento debe manipular este equipo en referencia al manual de instalación.
	PRECAUCIÓN	Este símbolo muestra que hay información disponible, como el manual de funcionamiento o el manual de instalación.

Composición del climatizador

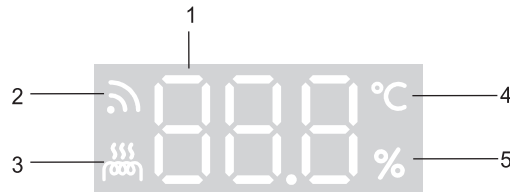
Unidad interior



Notas:

Las cifras de este manual son una simple representación del aparato, es posible que no se correspondan al climatizador que ha comprado.

Pantalla



1 Indicador de temperatura/humedad

Muestra la temperatura interior ajustada o la temperatura interior; Muestra la humedad interior (los modelos sin sensor de humedad muestran "—").

2 Receptor de Wi-Fi

Se ilumina cuando se conecta el Wi-Fi; Se deja de iluminar cuando se desconecta el Wi-Fi.

3 Indicador de calentador eléctrico (Solo es válido para el aire acondicionado con función de calentador eléctrico.)

Se ilumina durante el modo de calefacción cuando el calentador eléctrico está encendido; Se deja de iluminar cuando se completa el calentamiento.

4 Indicador de la unidad de temperatura (°C)

Se ilumina cuando el aire acondicionado muestra la temperatura en grados Celsius, y se deja de iluminar cuando se muestra la temperatura en grados Fahrenheit.

5 Indicador de humedad

Se ilumina cuando se muestra la humedad.

Nota: Las imágenes en este manual se basan en la vista externa de un modelo estándar.
Para el tipo multi-split, la unidad no arrancará si se presiona el interruptor de emergencia.
Por lo tanto, la forma en este manual puede diferir un poco del aire acondicionado que usted eligió.

Composición del climatizador

Mando a distancia (opcional)

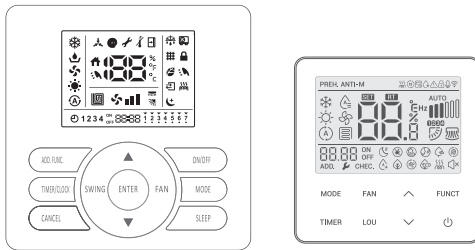
Puede controlar el climatizador con un mando a distancia con cable o un mando a distancia inalámbrico. Se utiliza para encenderlo o apagarlo, ajustar el modo de funcionamiento, la temperatura la velocidad del ventilador y otras funciones.

Hay diferentes tipos de mandos a distancia compatibles.

En el manual del mando a distancia se detallan las instrucciones de funcionamiento.

Léalo atentamente antes de usar el aparato y consérvelo para consultas futuras.

Mando a distancia con cable



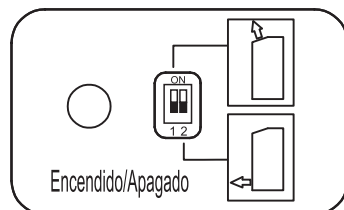
Mando a distancia inalámbrico



Interruptor DIP de cambio de flujo de aire

Cambie el interruptor DIP de flujo de aire a encendido para limitar la dirección del flujo de aire.

- 1) Retire la rejilla frontal.
- 2) Coloque el interruptor DIP del lado derecho del panel en encendido.



Ajuste del interruptor	Flujo de aire	
	Refrigeración	Calefacción
ON 1 2		
ON 1 2		
ON 1 2		
ON 1 2		

Nota: El climatizador decide automáticamente el patrón de soplado adecuado.

Comentarios especiales

- 3 minutos de protección después de que se detiene el compresor
Para proteger al compresor, hay al menos 3 minutos de parada después de que el compresor se detiene.
- 5 minutos de protección
El compresor debe funcionar al menos por 5 minutos una vez que esté en funcionamiento. En los 5 minutos, el compresor no se detendrá aunque la temperatura de la habitación alcance los puntos de ajustes al menos que se utilice un control remoto para apagar la unidad (el usuario tendrá que apagar la unidad interna).
- Funcionamiento *cooling*
El ventilador de la unidad interna nunca dejará de funcionar. Permanece funcionando aún cuando el compresor deje de funcionar.
- Funcionamiento *heating*
Ya que el aire acondicionado realiza la función de calentamiento al atraer el calor del aire del exterior (a través de la bomba de calor), la capacidad de calor puede disminuir si la temperatura externa de la habitación es muy baja. Si los efectos de calentamiento no son muy satisfactorios, utilice otro dispositivo de calentamiento.
- Función de anticongelante durante el modo *cooling*
Cuando la temperatura del aire desde la unidad interna es muy baja, la unidad funcionará por un tiempo bajo el modo *fan* [ventilador] para evitar la formación de escarcha o hielo en el intercambiador de calor interno.
- Función anti aire frío
Para evitar que la unidad interior sople aire frío cuando se calienta, se controla la velocidad del ventilador a baja velocidad de aire o se detiene en el modo de calefacción, y la velocidad del ventilador se ajusta según la temperatura de la bobina interior.
- Descongelación
Cuando la temperatura externa es muy baja se puede formar hielo o escarcha desde el intercambiador de calor externo reduciendo el rendimiento de calentamiento. Cuando esto sucede, funcionará el sistema de deshielo del aire acondicionado. Al mismo tiempo, se detendrá el ventilador de la unidad interna (o, en algunos casos, funciona a una velocidad muy baja); unos minutos después, termina el deshielo y se reinicia el funcionamiento *heating*.
- Sopro del aire caliente
Cuando se detiene el aire acondicionado en funcionamiento normal, el motor del ventilador funcionará a baja velocidad por un tiempo para liberar el aire caliente restante.
- Autorrecuperación del corte de energía
Cuando vuelve la energía luego de un corte, todo lo preestablecido está efectivo y el aire acondicionado puede funcionar de acuerdo a la configuración original.

Solución de problemas



Si hay un exceso de flujo de agua drenada de la unidad interior, detenga el funcionamiento y póngase en contacto con su contratista. Si huele o ve humo blanco saliendo de la unidad, apague la alimentación eléctrica y póngase en contacto con su contratista.

1. Si el problema continúa

Si el problema continúa aún después de realizar las verificaciones, contacte a su proveedor e infórmele lo siguiente.

- (1) Nombre del modelo de la unidad
- (2) El problema

2. No funciona

Compruebe si SET TEMP [establecer temperatura] está establecido a la temperatura correcta.

3. No enfría bien

- Compruebe si hay obstrucciones en el flujo de aire fuera o dentro de las unidades.
- Compruebe si hay muchas fuentes de calor en la habitación.
- Compruebe si el filtro de aire está obstruido con polvo.
- Compruebe si hay, o no, puertas o ventanas abiertas.
- Compruebe si la temperatura no está dentro del rango operativo.

4. Esto no es anormal

- **Esto no es anormal**

Un olor se adhiere en la unidad interna después de un largo período de tiempo. Limpie el filtro de aire y los paneles o permita una buena ventilación.

- **Sonidos de piezas deformantes**

Durante el inicio y parada del sistema, se puede escuchar un sonido abrasivo. Sin embargo, esto se debe a la deformación térmica de las piezas plásticas. Esto es normal.

- **Rocío en el panel de aire**

Cuando el aparato enfría durante un periodo prolongado en condiciones de humedad alta (por encima de 27 °C/80% de HR), se puede formar condensación en el panel de aire.

- **Sonido del flujo de refrigerante**

Cuando el sistema se está iniciando o deteniendo, es posible que se escuche sonido del flujo de refrigerante.

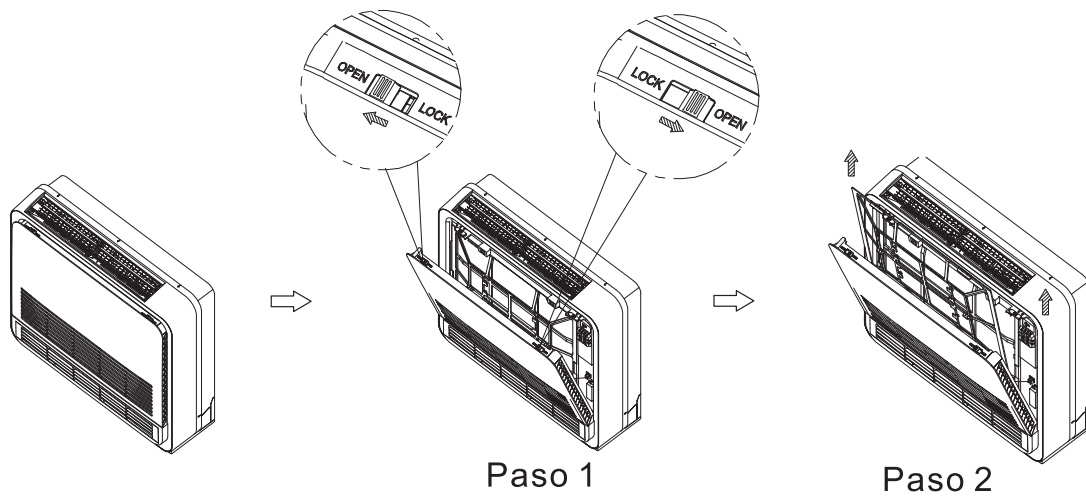
5. Retirada e instalación del filtro

- **Método de retirada**

Retire el filtro de aire siguiendo estos pasos.

Paso 1: Deslice hasta que los 2 topes queden colocados con un chasquido como se muestra.

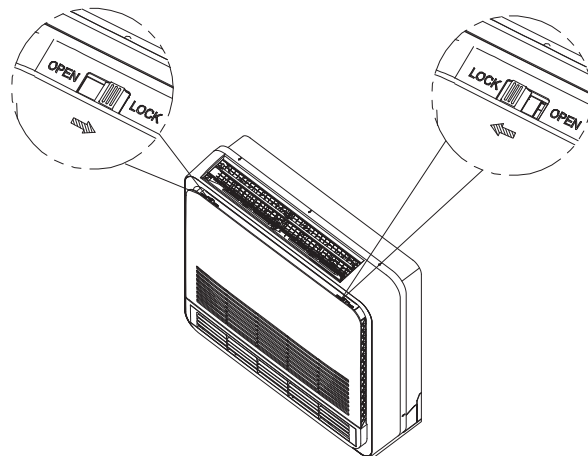
Paso 2: Abra la rejilla frontal y retire el filtro de aire del panel frontal.



- **Método de instalación**

Paso 1: Inserte el filtro en el panel y oriéntelo a los ganchos inferiores. Compruebe si los ganchos superiores están fijados.

Paso 2: Cierre la rejilla y deslice hasta que los 2 topes queden colocados con un chasquido como se muestra.



6. Modo interferir (para multipartida)

- Debido a que todas las unidades interiores utilizan una unidad exterior, la unidad exterior solo puede funcionar en el mismo modo (enfriamiento o calentamiento), por tanto, cuando se ajusta un modo diferente al modo en que funciona la unidad exterior, ocurre el modo interferir. A continuación se muestra el modo interferir.

	Enfriamiento	Secado	Calentamiento	Ventilador	
Enfriamiento	✓	✓	×	✓	✓ — Normal
Secado	✓	✓	×	✓	×
Calentamiento	×	×	✓	×	— Modo interferir
Ventilador	✓	✓	×	✓	

La unidad exterior siempre funciona en el modo en que se ha encendido la primera unidad interior.

Si el modo de ajuste de la siguiente unidad interior interfiere con él, se escucharán 3 pitidos y la unidad interior que interfiere con las unidades en funcionamiento normal se apagará automáticamente.

Si se selecciona el modo automático, el modo de funcionamiento real de la unidad estará dominado por la unidad para la que se seleccionó primero el modo automático. (El modo automático no está disponible para algunos modelos).

1. Aviso de seguridad

ADVERTENCIA

- La instalación la debe realizar el comerciante u otra persona profesional. (La instalación incorrecta puede causar fugas de agua, descargas eléctricas o incendios.)
- Instale la unidad siguiendo las instrucciones brindadas en este manual. (La instalación incompleta puede causar fugas de agua, descargas eléctricas o incendios.)
- Asegúrese de utilizar las piezas de instalación suministradas o especificadas. (La utilización de otras piezas puede hacer que la unidad quede mal, tenga fugas de agua, produzca descargas eléctricas o incendios.)
- Instale el aire acondicionado en una base sólida que pueda soportar el peso de la unidad. (Una base inadecuada o una instalación incompleta puede causar daños en caso de que la unidad se caiga de la base.)
- El trabajo eléctrico debería realizarse según el manual de instalación y las reglas o códigos nacionales de cableado eléctrico. (La capacidad insuficiente o el trabajo eléctrico incompleto puede causar descargas eléctricas o incendios.)
- Asegúrese de utilizar un circuito eléctrico especializado. (Nunca utilice un suministro eléctrico compartido con otro electrodoméstico.)
- Para el cableado, utilice un cable lo suficientemente largo para cubrir toda la distancia sin conexión; no utilice un cable de extensión.
- No coloque otras cargas en el suministro eléctrico, utilice un circuito eléctrico especializado. (No cumplir con esto puede causar un calentamiento anormal, descarga eléctrica o incendios.)
- Utilice cables específicos para las conexiones eléctricas entre las unidades interna y externa. (Sujete firmemente los cables de interconexión para que la terminal no reciba tensiones externas.)
- Las conexiones o fijaciones incompletas pueden hacer que la terminal sobrecaliente o se incendie.
- Después de conectar el cable de suministro y de interconexión, asegúrese de configurar los cables para que no hagan una fuerza indebida sobre los cobertores eléctricos o los paneles. (Instale los cobertores sobre los cables, la instalación incompleta puede hacer que la terminal sobrecaliente, haya descargas eléctricas o incendios.)
- Cuando instala o reubica el sistema, asegúrese de mantener el circuito refrigerante libre de sustancias, como el aire, que no sea el refrigerante específico (refiérase a la placa). (Cualquier presencia de aire u otra sustancia extraña en el circuito refrigerante causa un aumento de presión anormal o rompe y resulta en lesiones.)
- Si hay alguna fuga de refrigerante durante el trabajo de instalación, ventile la sala (**El refrigerante R32 conlleva riesgo de incendio y explosión**).
- Una vez completada la instalación, compruébela para asegurarse de que no haya fugas de refrigerante (**El refrigerante R32 conlleva riesgo de incendio y explosión**).
- Cuando se realiza la conexión de la tubería, no deje que sustancias del aire que no sea el refrigerante específico entre en el circuito refrigerante. (De lo contrario, producirá baja capacidad, una presión alta anormal en el circuito refrigerante, explosiones y lesiones.)
- Asegúrese de conectar a tierra. No conecte la unidad a una tubería de servicio público, descargador o teléfono. La conexión incompleta puede provocar descargas eléctricas. (La sobrecarga alta de un rayo u otra fuente puede producir daños al aire acondicionado.)
- Para prevenir descargas eléctricas, se puede requerir un disyuntor de fugas a tierra dependiendo de la condición del sitio. (No cumplir con esto puede causar descargas eléctricas.)
- Desconecte el suministro de energía antes de completar el trabajo del cableado, de tubería y verificaciones de la unidad.
- Cuando mueva la unidad interna y la externa, tenga cuidado de no inclinar la unidad externa a más de 45 grados. Evite lastimarse con los bordes filosos del aire acondicionado.
- Instale el control remoto. Asegúrese de que la longitud del cable entre la unidad interna y el control remoto esté dentro de los 40 metros.

PRECAUCIÓN

- No instale el aire acondicionado en un lugar donde haya peligro de exposición a fugas de gases inflamables. (Si el gas se fuga y se acumula en la unidad puede producir incendios.)
- Establezca la tubería de desagüe siguiendo las instrucciones de este manual. (El trabajo incorrecto de tubería puede producir inundaciones.)
- Ajuste la tuerca cónica siguiendo el método especificado, como con una llave dinamométrica. (Si se ajusta demasiado la tuerca cónica, ésta se puede romper después un largo tiempo y producir fugas del refrigerante.)

2. Herramientas e instrumentos para la instalación

Número	Herramienta
1	Destornillador estándar
2	Bomba de vacío
3	Manguera de carga
4	Doblatubos
5	Llave ajustable
6	Cortatubos
7	Destornillador de estrella
8	Cuchillo o pelacables
9	Nivel
10	Martillo
11	Taladro rotativo
12	Expansor de tubo
13	Llave inglesa hexagonal interna
14	Cinta métrica

3. La instalación de la unidad interna



PRECAUCIÓN

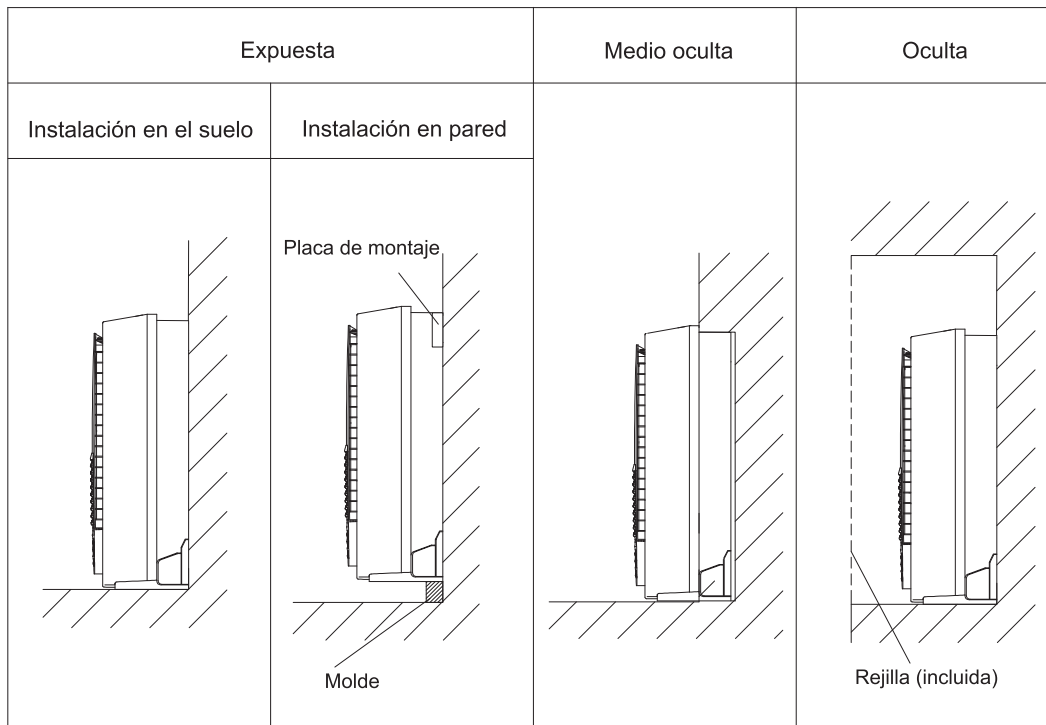
Durante la instalación, no dañe el material de aislamiento de la superficie de la unidad interior.

3.1 Antes de la instalación

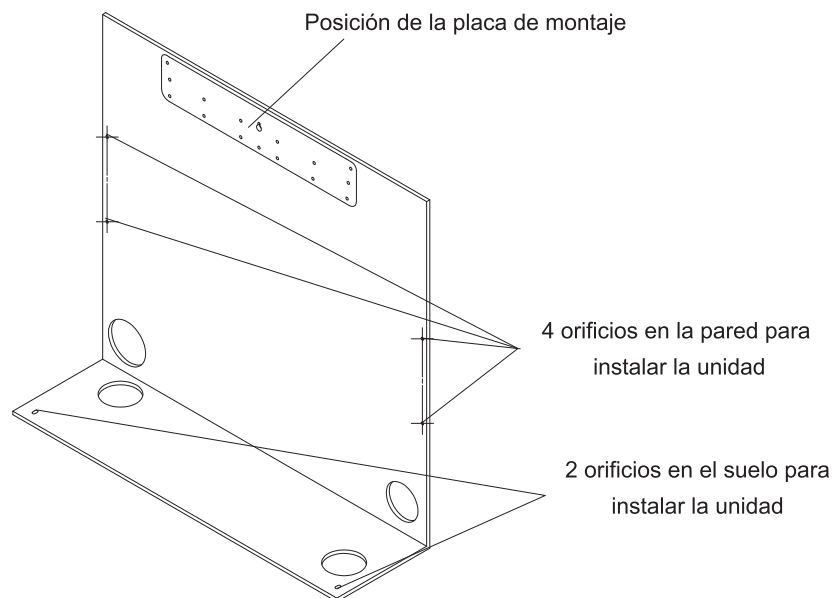
- Al trasladar la unidad durante o después del desembalaje, asegúrese de levantarla sujetándola por las orejetas de elevación.
No ejerza presión en las otras piezas, en especial la tubería del refrigerante, la tubería de drenaje o las bridas.
- Utilice equipo de protección (guantes, etc.) al instalar la unidad.
- Instálela correctamente en conformidad con el manual de instalación.
- Confirme los siguientes puntos:
 - Tipo de unidad/especificación de la alimentación eléctrica
 - Tuberías/cables/piezas pequeñas
 - Accesorios

Instalación y mantenimiento

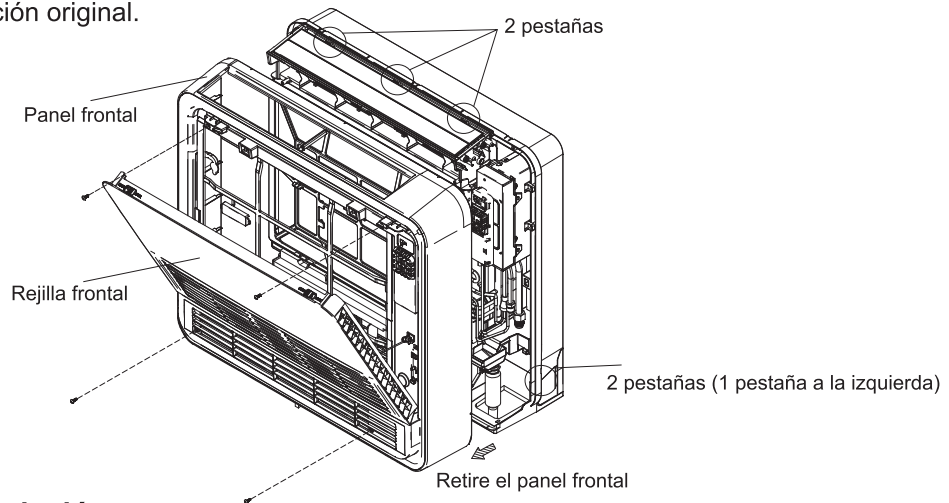
- La unidad interior puede instalarse en cualquiera de los tres métodos mostrados a continuación:



- Ubicación para fijar la plantilla de instalación.



- Retirar e instalar el panel frontal
- Método de retirada: Abra la rejilla frontal. Retire los 4 tornillos y retire el panel frontal mientras estira hacia delante (4 pestañas).
- Método de instalación: Fije el panel frontal con los 4 tornillos de instalación (4 pestañas). Vuelva a colocar la rejilla frontal en su posición original.



3.2 Ubicación de la instalación

- Elija áreas adecuadas para instalar la unidad con la aprobación del usuario.
- El conducto de aire no está bloqueado.
- La condensación puede drenarse adecuadamente.
- La pared es lo bastante fuerte para soportar el peso de la unidad interior. Si existiera riesgo de que la pared no fuera lo suficientemente fuerte, refuércelo antes de instalar la unidad.
- Hay suficiente espacio para el mantenimiento y reparación (consulte la Fig.3.2.1)
- Las tuberías entre las unidades interior y exterior están dentro de los límites permitidos (consulte la instalación de la unidad interior).
- La unidad interior, la unidad exterior, el cableado de alimentación y el cableado de transmisión están a una distancia mínima de 1 metro de los televisores y radios para prevenir interferencias en la imagen y ruido de los aparatos eléctricos (el ruido puede generarse según las condiciones en las que se generan las ondas eléctricas, incluso si se mantiene la separación de un metro).
- Si hay 2 unidades inalámbricas, manténgalas separadas a más de 6m para evitar un mal funcionamiento debido a una comunicación cruzada.
- Si se instalan varias unidades interiores cerca, manténgalas separadas a más de 3-4m.

Espacio para la instalación y el mantenimiento

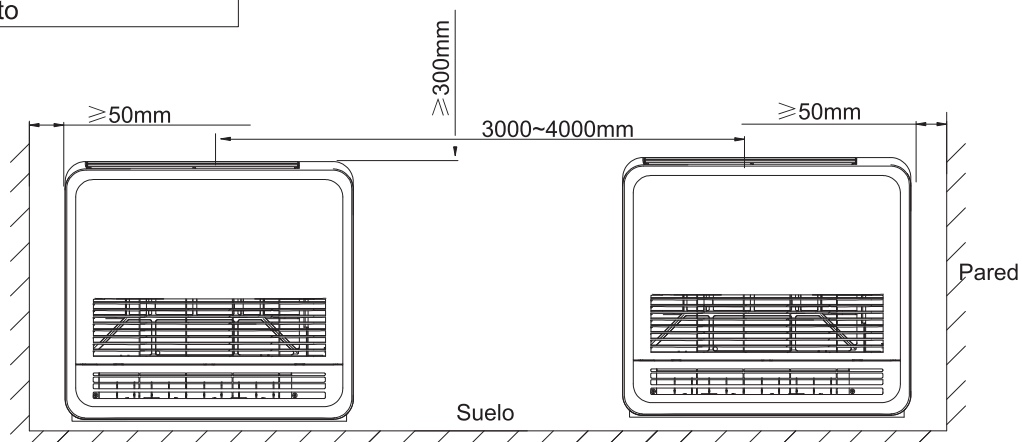
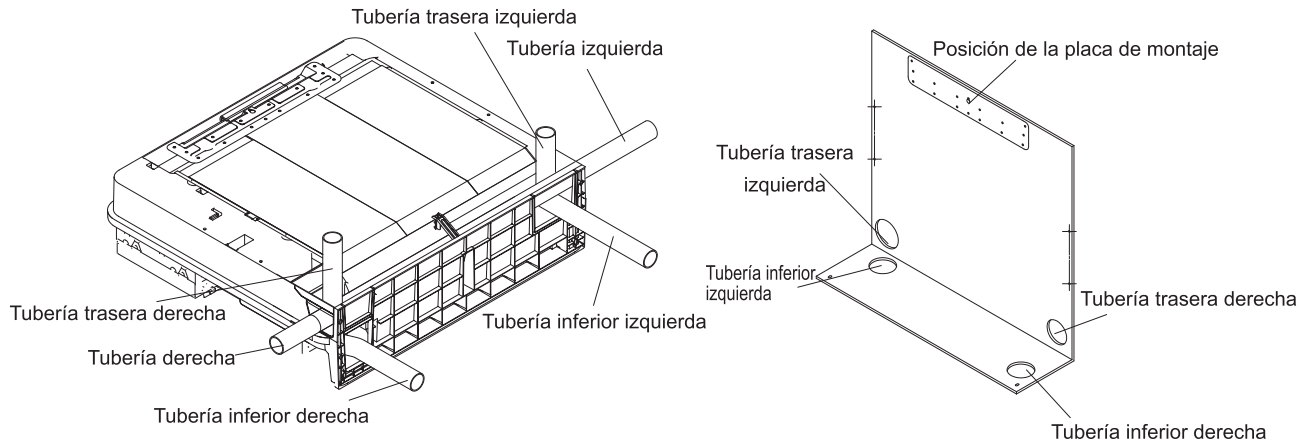


Fig. 3.2.1

3.3 Instalación expuesta

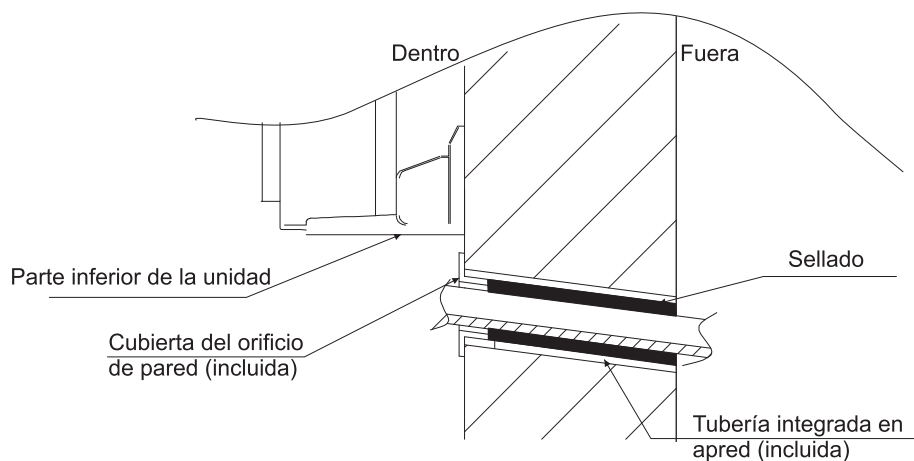
3.3.1 Tubería de refrigerante

- (1) Taladre un orificio (65 mm de diámetro) en el punto indicado con el símbolo "o" en la plantilla de instalación como se muestra a continuación.
- (2) La ubicación del orificio será diferente según el lado de la tubería que se saque.
- (3) Para las tuberías, consulte **3.3.5 Conectar la tubería de refrigerante.**
- (4) Deje espacio alrededor de la tubería para conectar más fácilmente la tubería de la unidad interior.



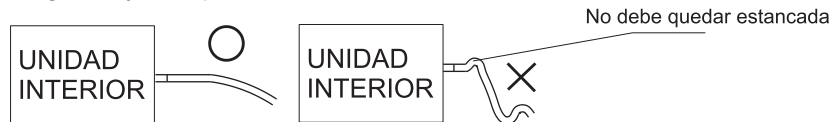
3.3.2 Hacer un orificio en la pared e instalar la tubería integrada en la pared

- En paredes que contengan estructuras o tableros metálicos, asegúrese de utilizar una tubería integrada en la pared y una cubierta de pared en el orificio pasamuros para evitar el calor, descargas eléctricas o incendios posibles.
- Asegúrese de sellar los huecos entre las tuberías con material sellador para evitar fugas de agua.
 - (1) Haga un orificio pasamuros de 65 mm en la pared de forma que tenga una pendiente descendente hacia el exterior.
 - (2) Inserte una tubería de pared en el orificio.
 - (3) Inserte una cubierta de pared en la tubería de pared.
 - (4) Después de completar la instalación de la tubería de refrigerante, el cableado y la tubería de drenaje, selle los huecos del orificio de la tubería con masilla de pared.



3.3.3. Tuberías de drenaje

- (1) Utilice una tubería de cloruro de polivinilo rígida comercial (diámetro exterior de 26 mm, diámetro interior de 20 mm) como tubería de drenaje.
- (2) La manguera de drenaje (315 mm de largo) y la tubería de agua (2000 mm de largo) vienen incluidas con la unidad interior.
Prepare la tubería de drenaje como se muestra en la imagen siguiente.
- (3) La tubería de drenaje debe estar inclinada hacia abajo con una pendiente de al menos 1/100 de forma que el agua fluya suavemente sin acumularse (no debe quedar estancada).
- (4) Inserte la manguera de drenaje a esta profundidad (50 mm o más) de forma que no se salga de la tubería de drenaje.
- (5) Aísle la tubería de drenaje interior con 10 mm o más de material aislante para evitar la condensación.
- (6) Retire los filtros de aire y vierta un poco de agua (aproximadamente 1000 cc) en el recipiente de drenaje para comprobar que el agua fluya sin problemas.



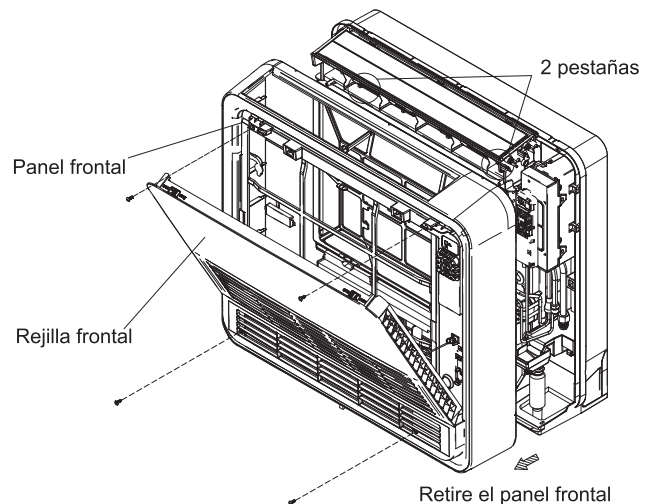
⚠ PRECAUCIÓN

- . La acumulación de agua en la tubería de drenaje puede provocar que se atasque.
- . No retuerza ni doble la manguera de drenaje para no aplicar una fuerza excesiva sobre ella. De lo contrario, podría provocar fugas de agua.

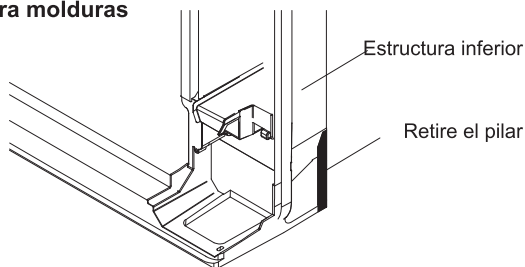
3.3.4 Instalar la unidad interior

3.3.4.1 Preparación

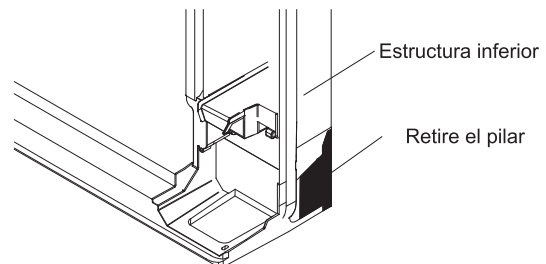
- . Abra la rejilla frontal, retire los 4 tornillos y desmonte el panel frontal mientras estira hacia delante.
- . Siga el procedimiento descrito a continuación cuando retire partes divididas.
- **Para molduras**
 - . Retire los pilares (retire las partes divididas de la estructura inferior utilizando tenazas).
- **Para tuberías laterales**
 - . Retire las partes divididas de la estructura inferior utilizando tenazas.



Para molduras



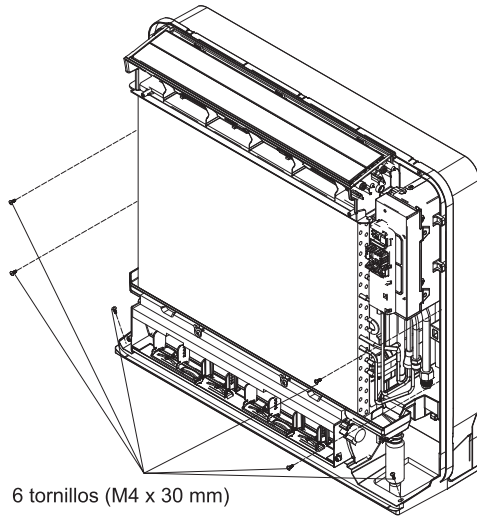
Para tuberías laterales



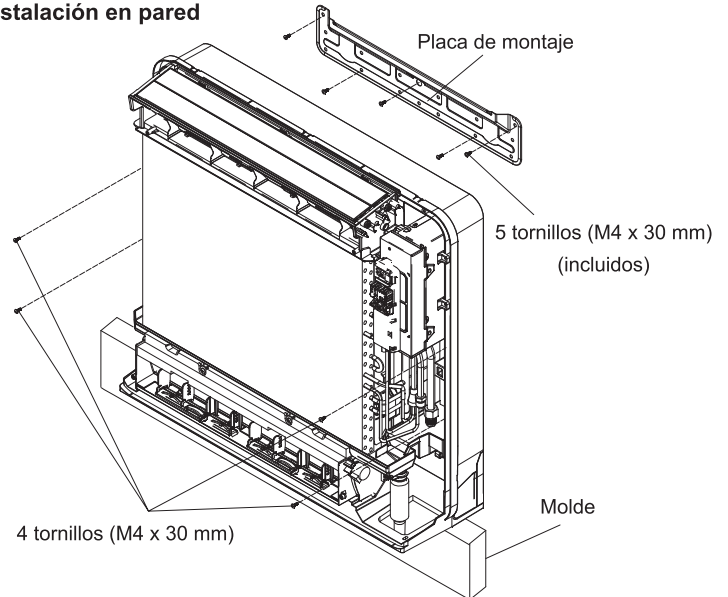
3.3.4.2 Instalación

- Fije utilizando 6 tornillos para instalar en el suelo (no olvide fijar en la pared trasera).
 - Para instalación en pared, fije la placa de montaje utilizando 5 tornillos y la unidad interior utilizando 4 tornillos.
 - La placa de montaje debe instalarse en una pared que pueda soportar el peso de la unidad interior.
- (1) Fije temporalmente la placa de montaje a la pared, compruebe que el panel esté completamente nivelado y marque los puntos de los orificios en la pared.
 - (2) Fije la placa de montaje a la pared con tornillos.

Instalación en el suelo



Instalación en pared



- (3) Una vez completadas las conexiones de la tubería de refrigerante y la tubería de drenaje, llene los huecos del orificio con masilla. En caso de quedar separaciones, provocaría la aparición de condensación en la tubería del refrigerante y la tubería de drenaje, y la entrada de insectos en las tuberías.
- (4) Instale el panel frontal y la rejilla frontal en las posiciones originales una vez completadas todas las conexiones.

3.3.5 Conectar la tubería de refrigerante

⚠ PELIGRO

Al llevar a cabo la comprobación y prueba de fugas, no mezcle el oxígeno, el acetileno y el gas inflamable, ya que son muy peligrosos y podrían provocar una explosión. Se recomienda utilizar aire comprimido, el nitrógeno o el refrigerante para realizar estos experimentos.

3.3.5.1 Material de la tubería

- (1) Prepare la tubería de cobre al momento.
- (2) Elija una tubería de cobre sin polvo, no húmeda y limpia. Antes de instalar la tubería, utilice nitrógeno o aire seco para soplar la suciedad y las impurezas de la tubería.
- (3) Elija una tubería de cobre en conformidad con la Fig. 4.2.

3.3.5.2 Conexión de la tubería

- (1) En la Fig. 4.1 se muestran las posiciones de conexión de la tubería.

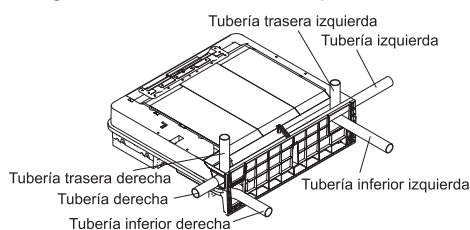


Fig. 4.1 Posiciones de conexión de la tubería

Capacidad	Tubería de gas	Tubería de líquido
26/35	φ 9.52	φ 6.35
40/52	φ 12.7	φ 6.35

Fig. 4.2 Diámetro de tubería

Instalación y mantenimiento

- (2) Como se muestra en la Fig. 4.3, alinee los centros y apriete las tuercas cónicas girándolas 3 o 4 con la mano. A continuación, apriételas completamente con llaves dinámicas. Atornille las tuercas con 2 llaves.

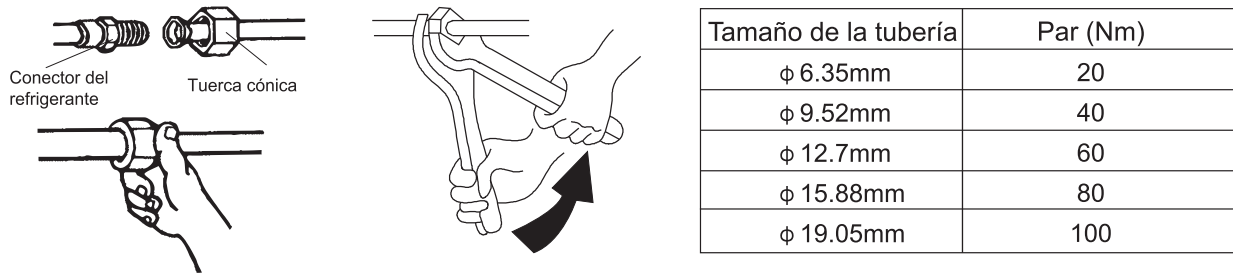
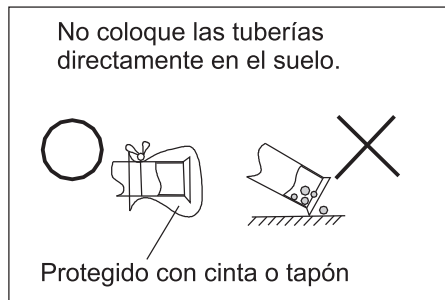


Fig. 4.3 Atornille el par de tuerca

PRECAUCIÓN

- La tubería pasa por el orificio con el sello.
- Proteja el extremo abierto de la tubería contra el polvo y la humedad.
- Todos los codos de tuberías deben ser lo menos encorvados posibles. Utilice un curvatubos para curvarlos.
- No coloque las tuberías directamente en el suelo.



- (3) Después de terminar de conectar las tuberías de refrigerante, manténgalas calientes con el material aislante. Asegúrese de aislar las tuberías de gas y de líquido por separado.

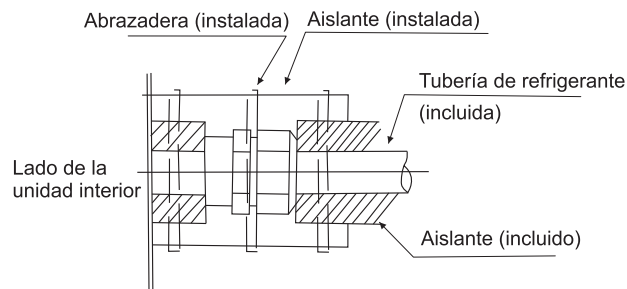
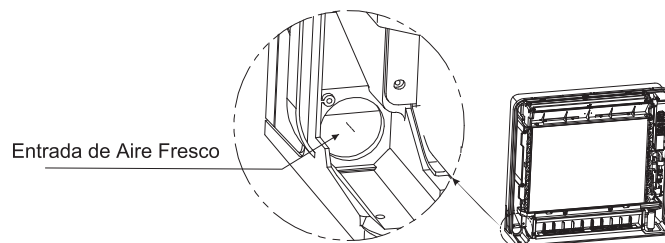


Fig. 4.4 Procedimiento de aislamiento de tuberías

3.3.6 Entrada de Aire Fresco

La unidad suministra aire fresco a su casa con una tubería a través de la Entrada de Aire Fresco.



3.3.7 Cableado eléctrico

3.3.7.1 Comprobación general

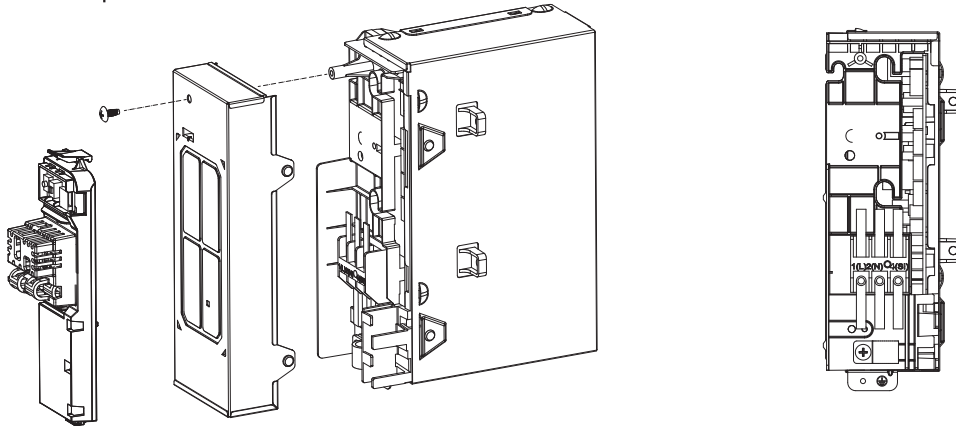


PRECAUCIÓN

- Cuando coloque abrazaderas en el cableado, utilice el material incluido para evitar que se ejerza presión externa sobre las conexiones de los cables y sujételos con firmeza.
- Cuando coloque el cableado, asegúrese de que esté bien realizado y no haga que la tapa de la caja de control quede abierta, y cierre la tapa con firmeza. Cuando coloque la tapa de control, asegúrese de no pinzar ningún cable.
- Fuera de la máquina, separe el cableado débil (cableado de mando a distancia y de transmisión) y el cableado fuerte (cableado de tierra y de alimentación) al menos 50 mm de forma que no pasen por el mismo lugar juntos. La proximidad podría provocar interferencias eléctricas, mal funcionamiento y averías.

3.3.7.2 Cableado

- Levante la cubierta del sensor, retire la cubierta de la placa metálica frontal (1 tornillo) y conecte el cable al bloque terminal.
 - (1) Extremos desnudos de cables (15 mm).
 - (2) Empareje los cables con los números de terminal de los bloques de terminal de la unidad interior y exterior y atornille firmemente los cables a los terminales correspondientes de acuerdo con el diagrama de cableado eléctrico.
 - (3) Conecte el cable eléctrico al terminal principal.
 - (4) Conecte el cable de tierra al orificio con el símbolo “⊕”.
 - (5) Conecte el cable del mando a distancia a la caja terminal adicional de acuerdo con el diagrama de cableado eléctrico.
 - (6) Estire de los cables para asegurarse de que estén bien asegurados y, a continuación, sujételos con el soporte para cables.
 - (7) Asegúrese de que los cables no entren en contacto con el conducto de metal del intercambiador térmico.



Nota: Por defecto, hay un cable conectado al terminal. Retire el cable antes de hacer el cableado.



ADVERTENCIA

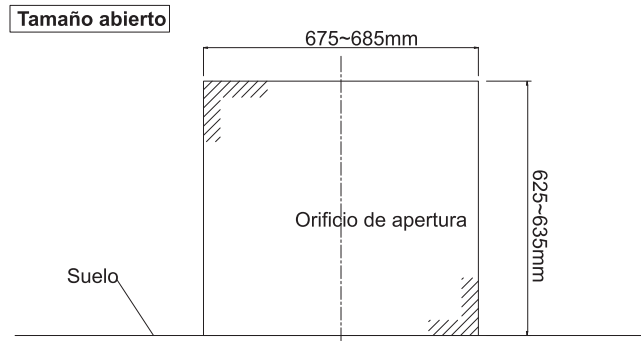
- Si los fusibles se queman, llame al departamento de reparación para cambiarlos. No los cambie usted mismos, ya que podría provocar un accidente, por ejemplo, una descarga.
- No utilice cables intervenidos, cables trenzados, alargadores ni conexiones Starburst, ya que podrían causar un sobrecalentamiento, descarga eléctrica o incendio.
- No utilice piezas eléctricas compradas localmente dentro del producto (no bifurque la alimentación del drenaje, etc. del bloque terminal). En caso de hacerlo, podría provocar una descarga eléctrica o incendio.

3.4 Instalación medio oculta

Aquí solo se indican las características concretas de este método de instalación. Consulte 3.3 Instalación expuesta para ver más instrucciones.

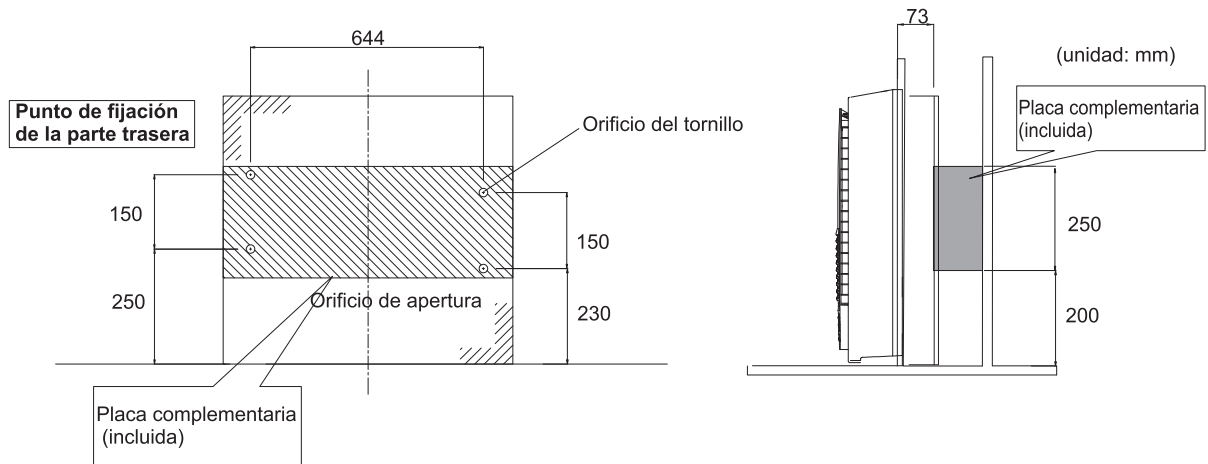
3.4.1 Orificio en la pared

- Taladre un orificio en la pared del tamaño mostrado en la ilustración de la derecha.



3.4.2 Instalación de placa complementaria para instalar la unidad principal

- La parte trasera de la unidad puede fijarse con tornillos en los puntos mostrados en la siguiente ilustración. Asegúrese de instalar la placa complementaria en conformidad con la profundidad de la pared interior.



⚠ PRECAUCIÓN

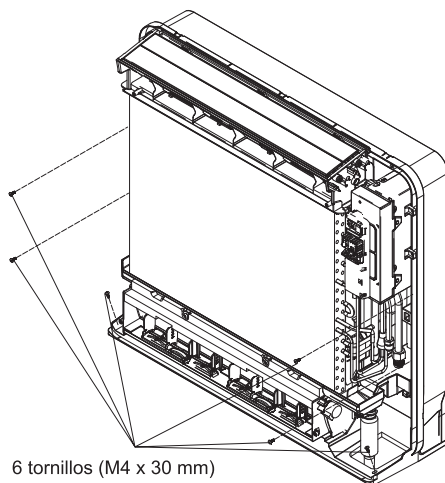
- Debe utilizarse la placa complementaria para instalar la unidad principal o habrá una separación entre la unidad y la pared.

3.4.3 Tubería de refrigerante

- Consulte 3.3.1 Tubería de refrigerante en 3.3 Instalación de unidad expuesta.

3.4.4 Instalar la unidad interior

- (1) Retire el panel frontal
- (2) Instale la unidad interior a la pared y fíjela utilizando tornillos en las 6 ubicaciones (M4 x 30 mm)



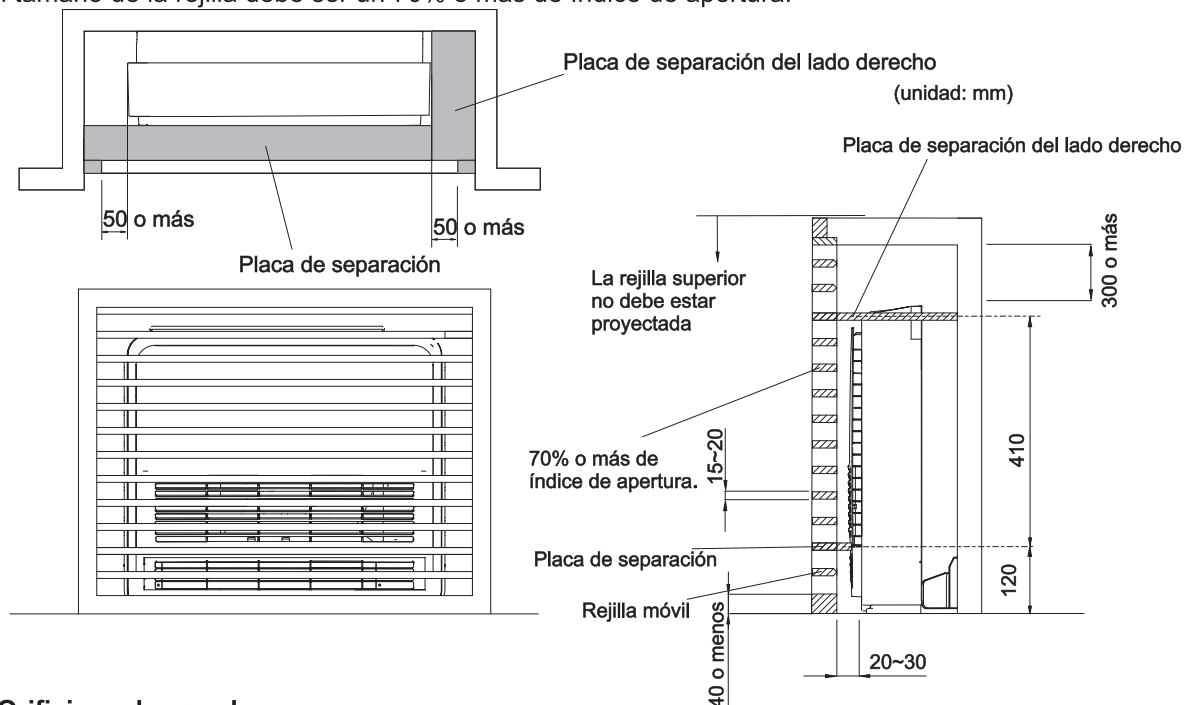
- Utilice el borde del recipiente de drenaje para proyectar horizontalmente la unidad interior.
- Instale el purgador de la unidad interior contra la pared.

3.5 Instalación oculta

Aquí solo se indican las características concretas de este método de instalación. Consulte 3.3 Instalación expuesta para ver más instrucciones.

Instale la unidad siguiendo estas instrucciones. De lo contrario, podría provocar un fallo de enfriamiento o de calentamiento y la aparición de condensación dentro de la casa.

- (1) Deje espacio suficiente entre la unidad principal y el techo para que no obstruya el flujo de aire fresco/cálido.
- (2) Coloque una placa de separación entre las secciones de salida y entrada.
- (3) Coloque una placa de separación en el lado derecho.
- (4) Cambie el interruptor de límite superior.
- (5) Utilice una rejilla móvil en la entrada de aire para permitir el ajuste de la dirección del flujo de aire fresco/cálido.
- (6) El tamaño de la rejilla debe ser un 70% o más de índice de apertura.



3.5.1 Orificio en la pared

- Consulte 3.3.1 Tubería de refrigerante en 3.3 Instalación de unidad expuesta.

3.5.2 Cambiar el interruptor DIP de flujo de aire ascendente

- Cambie el interruptor DIP de flujo de aire ascendente a encendido para limitar el flujo de aire ascendente.
- (1) Retire la rejilla frontal.
 - (2) Coloque el interruptor DIP del circuito impreso de la caja del equipo eléctrico en encendido.



Asegúrese de encender el interruptor de flujo de aire ascendente. De lo contrario, podría provocar que el enfriamiento o calentamiento sean incompletos y la formación de condensación dentro de la casa.

4. Cableado eléctrico

4.1 Comprobación general

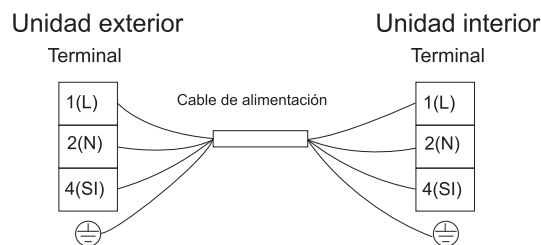


- Cuando coloque abrazaderas en el cableado, utilice el material incluido para evitar que se ejerza presión externa sobre las conexiones de los cables y sujételos con firmeza.
- Cuando coloque el cableado, asegúrese de que esté bien realizado y no haga que la tapa de la caja de control quede abierta, y cierre la tapa con firmeza. Cuando coloque la tapa de control, asegúrese de no pinzar ningún cable.
- Fuera de la máquina, separe el cableado débil (cableado de mando a distancia y de transmisión) y el cableado fuerte (cableado de tierra y de alimentación) al menos 50 mm de forma que no pasen por el mismo lugar juntos..
La proximidad podría provocar interferencias eléctricas. Mal funcionamiento y rotura.



- Si los fusibles se queman, llame al departamento de reparación para cambiarlos. No los cambie usted mismos, ya que podría provocar un accidente, por ejemplo, una descarga.
- (1) Retire los tornillos de la caja de control.
 - (2) Conecte el cable eléctrico y el cable de tierra al terminal principal.
 - (3) El cable del mando a distancia a la caja terminal adicional de acuerdo con el diagrama de cableado eléctrico.
 - (4) Conecte el cable eléctrico de las unidades interior y exterior al terminal principal.
 - (5) Fije con firmeza el cable de la caja de control con la abrazadera.
 - (6) Después de acabar el cableado, selle el orificio de los cables con el material de sellado (con la tapa) para evitar que entre agua condensada e insectos.

4.2 Diagrama de cableado eléctrico



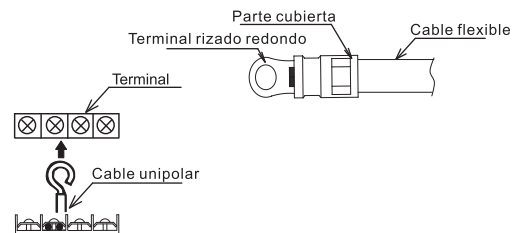
4.3 Común

Capacidad del modelo	Tamaño del cable de transmisión EN60335-1
26~52	4 × 1.5mm ²

NOTAS:

- 1) Siga los códigos y reglas locales para seleccionar los cables. Todos los anteriores son del tamaño de cable mínimo.
- 2) El tamaño del cable marcado en la tabla se seleccionó de la tensión máxima de la unidad según el estándar europeo En60335-1. Utilice cables que no sean más livianos que el cable de goma común (código de designación H07RN-F) o el cable flexible de policloropreno común (código de designación H07RN-F). Al conectar el bloque terminal usando un cable flexible, asegúrese de usar el terminal rizado redondo para conectarlo al bloque terminal de la fuente de alimentación.

Coloque los terminales rizados redondos en los cables hasta la parte cubierta y fíjelos. Al conectar el bloque terminal con un cable unipolar, asegúrese de fraguarlo.



- 3) Cuando la longitud del cable de transmisión sea mayor de 15 metros, se debe utilizar un cable de mayor tamaño.
- 4) Utilice un cable protegido para el circuito de transmisión y conéctelo a tierra.
- 5) En caso de que los cables de alimentación estén conectados en serie, añada la corriente máxima de cada unidad y seleccione los cables siguientes.

Selección según EN60335-1

Tensión I (A)	Tamaño del cable (mm ²)
$i \leq 6$	0.75
$6 < i \leq 10$	1
$10 < i \leq 16$	1.5
$16 < i \leq 25$	2.5
$25 < i \leq 32$	4
$32 < i \leq 40$	6
$40 < i \leq 63$	10
$63 < i$	*

*en caso de que la tensión exceda los 63A, no conecte los cables en serie.

5. Prueba de funcionamiento

Realice la puesta a prueba siguiendo el manual de instalación de la unidad externa.



Eliminación correcta del producto

Esta marca indica que el producto no puede desecharse con otros desperdicios del hogar en toda la UE. Para evitar daños al medio ambiente o a la salud pública de vertidos incontrolados, recicle responsablemente para promover la reutilización sustentable de los recursos materiales. Para devolver el equipo usado, utilice los sistemas de recolección o contacte al distribuidor donde adquirió el producto. Ellos pueden tomar este producto para reciclar y cuidar el ambiente.

The Hisense logo is displayed in a bold, black, sans-serif font. The background of the page features a large, stylized circular graphic composed of several overlapping, semi-transparent white and light gray rings, creating a sense of depth and movement.

INSTRUÇÕES DE USO E INSTALAÇÃO


PORTUGUÊS


Muito obrigado por comprar este ar condicionado. Leia estas instruções de uso e instalação antes da instalação e uso deste aparelho e mantenha este manual para futuras referências.

Declarações de CUIDADO	1
Precauções de segurança	3
Composição do ar condicionado	8
Manual de Operação	
Comentarios especiales	10
Solución de problemas	10
Instalação e Manutenção	
1. Aviso de segurança.....	13
2. As ferramentas e Instrumentos para instalação	14
3. A Instalação da Unidade Interna	14
3.1 Antes da instalação.....	14
3.2 Localização da instalação.....	16
3.3 Instalação Exposta.....	17
3.4 Instalação de Meio Escondido	22
3.5 Instalação Escondida	24
4. Fiação Elétrica	25
4.1 Verificação Geral.....	25
4.2 Diagrama de fiação elétrica	25
4.3 Comum	26
5. Teste de Funcionamento.....	26

Símbolos de alerta:

 **PERIGO** : O símbolo refere-se a um perigo que pode resultar em lesões pessoais graves ou morte.

 **ATENÇÃO** : O símbolo refere-se a um perigo ou a uma prática insegura que pode resultar em lesões pessoais graves ou morte.

 **CUIDADO** : O símbolo refere-se a um perigo ou a uma prática insegura que pode resultar em ferimentos pessoais, danos a produtos ou materiais.

Refere-se às observações e instrução para a operação, manutenção e serviço.

- Recomendamos que este aparelho de ar condicionado seja instalado corretamente por técnicos de instalação qualificados de acordo com as instruções de instalação fornecidas com a unidade.
- Antes da instalação, verifique se a tensão da fonte de alimentação na sua casa ou escritório é a mesma que a tensão mostrada na placa de identificação.

PERIGO

- Você não deve realizar qualquer transformação neste produto, caso contrário, a transformação pode causar consequências como vazamento de água, avaria, curto-circuito, choque elétrico, incêndio, etc.
- O trabalho, como a soldagem da linha de tubos, etc., deve ser realizado longe dos recipientes de materiais explosivos inflamáveis, incluindo o refrigerante do ar condicionado, para garantir a segurança do local.
- Para proteger o ar condicionado da corrosão pesada, evite instalar a unidade exterior no lugar onde a água salgada do mar pode salpicar diretamente para o aparelho ou em ar sulfuroso perto de um spa. Não instale o aparelho de ar condicionado no lugar onde sejam colocados objetos de calor excessivo.

ATENÇÃO

- Se o cabo de alimentação estiver danificado, o cabo deve ser substituído pela fábrica ou pelo seu departamento de serviço em caso de perigo
- O local onde este produto é instalado deve ter a instalação confiável de terra elétrica e o equipamento. Por favor, não ligue o aterramento deste produto a vários tipos de linhas de tubo de alimentação de ar, as linhas de dreno, a facilidade de proteção de raios, bem como outras linhas de tubo para evitar receber um choque elétrico e danos causados por outros fatores.
- A fiação deve ser feita por um electricista qualificado. Toda a fiação deve obedecer aos códigos elétricos locais.
- Considere a capacidade da corrente elétrica dos seus fios de medidor de quilowatt-hora elétricos e soquete antes da instalação.
- O cabo de alimentação onde este produto é instalado deve ter o dispositivo de proteção de vazamento independente e o dispositivo de proteção de sobrecarga de corrente elétrica que são fornecidos para este produto.
- Este aparelho não se destina a ser utilizado por pessoas (incluindo crianças) com capacidades físicas, sensoriais ou mentais reduzidas, ou com falta de experiência e conhecimento, a menos que tenham sido supervisionados ou instruídos sobre o uso do aparelho por uma pessoa responsável pela sua segurança. As crianças devem ser supervisionadas para garantir que não brinquem com o aparelho.
- Os meios de desconexão que podem fornecer desconexão total em todos os pólos devem ser incorporados na fiação fixa de acordo com as regras de fiação.

Declarações de CUIDADO

- **Leia atentamente este manual antes de utilizar este ar condicionado. Se você ainda tiver quaisquer dificuldades ou problemas, consulte o seu revendedor para obter ajuda.**
- **O ar condicionado é projetado para fornecer-lhe condições confortáveis de quarto. Utilize esta unidade apenas para o fim a que se destina, tal como descrito neste manual de instruções.**

▲ ATENÇÃO

- Nunca use gasolina ou outro gás inflamável perto do ar condicionado, o que é muito perigoso.
- Quando a operação do ar condicionado é anormal, como cheiro a queimado, deformação, fogo, fumaça, etc., é proibido continuar a usar o aparelho de ar condicionado, o interruptor principal do ar condicionado deve ser cortado imediatamente e o agente deve ser contatado.

▲ CUIDADO

- Não ligue e desligue o ar condicionado do interruptor principal de corrente. Utilize o botão de operação ON / OFF.
- Não coloque nada na entrada de ar e saída de ar das unidades interior e exterior. Isto é perigoso porque o ventilador está girando em alta velocidade.
- Não esfrie ou aqueça a sala demasiado se bebês ou inválidos estão presentes.
- O método de conexão do aparelho à fonte elétrica e interconexão de componentes separados e o diagrama de fiação com uma indicação clara das conexões e fiação para dispositivos de controle externo e cabo de energia são detalhados nas partes abaixo.
- O cabo do tipo H07RN-F ou o tipo eletricamente equivalente deve ser usado para a conexão de energia e a interconexão entre a unidade externa e a unidade interna. O tamanho do cabo está detalhado em partes abaixo.
- Detalhes do tipo e classificação dos disjuntores / ELB são detalhados no manual de instruções ao ar livre.
- A informação das dimensões do espaço necessário para a instalação correta do aparelho, incluindo as distâncias mínimas permitidas para as estruturas adjacentes, é detalhada nas partes abaixo.
- A faixa de pressões estáticas externas para aparelhos dutos é detalhada na parte inferior.

NOTA:

- Condições de armazenamento: Temperatura -25 ~ 60°C
Umidade 30% ~ 80%

Precauções para o uso do refrigerante R32

Os procedimentos de instalação básica são os mesmos que os do refrigerante convencional (R22 ou R410A). No entanto, preste atenção aos seguintes pontos:

ADVERTÊNCIA

1. Transporte de equipamentos que contenham refrigerantes inflamáveis.

Atenção é chamada para o fato de que os regulamentos de transporte adicionais podem existir em relação aos equipamentos que contenham gases inflamáveis. O número máximo de peças de equipamento ou a configuração do equipamento, permitido para ser transportado em conjunto, serão determinados pelo regulamento de transporte aplicável.

2. Marcação do equipamento com sinais

Os sinais para aparelhos similares (contendo refrigerantes inflamáveis) utilizados numa área de trabalho geralmente são tratados por regulamentos locais e fornecem os requisitos mínimos para a provisão de sinais de segurança e/ou saúde para um local de trabalho. Todos os sinais exigidos devem ser mantidos e os empregadores devem assegurar que os funcionários recebam instruções e treinamento adequados e suficientes sobre o significado de sinais de segurança apropriados e as ações que devem ser tomadas em conexão com esses sinais. A eficácia dos sinais não deve ser diminuída por muitos sinais colocados juntos. Qualquer pictograma usado deve ser o mais simples possível e conter apenas detalhes essenciais.

3. Eliminação de equipamentos que utilizam refrigerantes inflamáveis

Conformidade com as regulamentações nacionais

4. Armazenamento de equipamentos/aparelhos

O armazenamento do equipamento deve ser feito de acordo com as instruções do fabricante.

5. Armazenamento do equipamento embalado (não vendido)

- A proteção do pacote de armazenamento deve ser construída de tal forma que danos mecânicos ao equipamento dentro da embalagem não causem um vazamento da carga de refrigerante.
- O número máximo de equipamentos que podem ser armazenados em conjunto será determinado pela regulamentação local.

6. Informações sobre a manutenção

6-1 Verificações para a área

Antes de começar a trabalhar em sistemas que contenham refrigerantes inflamáveis, verificações de segurança são necessárias para garantir que o risco de ignição está minimizado. Para reparos no sistema de refrigeração, as seguintes precauções devem ser cumpridas antes de realizar trabalhos no sistema.

6-2 Procedimento de trabalho

Os trabalhos devem ser realizados sob um procedimento controlado de modo a minimizar o risco de gás ou vapor inflamável presente enquanto o trabalho está sendo executado.

6-3 Área de trabalho geral

- Todo o pessoal de manutenção e outros que trabalhem na área local devem ser instruídos sobre a natureza do trabalho a ser realizado. O trabalho em espaços confinados deve ser evitado.
- A área ao redor do espaço de trabalho deve ser dividida. Certifique-se de que as condições dentro da área foram tornadas seguras pelo controle de materiais inflamáveis.

6-4 Verificação da presença de refrigerante

- A área deve ser verificada com um detector de refrigerante apropriado antes e durante o trabalho, para garantir que o técnico esteja ciente de atmosferas potencialmente inflamáveis.
- Certifique-se de que o equipamento de detecção de fugas que está a ser utilizado é adequado para utilização com refrigerantes inflamáveis, tais como sem faíscas, adequadamente selados ou intrinsecamente seguros.

6-5 Presença de extintor de incêndio

- Se qualquer trabalho a quente deve ser conduzido no equipamento de refrigeração ou em quaisquer peças associadas, o equipamento apropriado de extinção de incêndios deve estar disponível à mão.
- Tenha um extintor de incêndio em pó seco ou CO₂ junto à área de carregamento.

6-6 Sem fontes de ignição

- Nenhuma pessoa que realize trabalhos em relação a um sistema de refrigeração que envolva a exposição de qualquer trabalho de tubagem que contenha ou tenha contido refrigerante inflamável deve utilizar quaisquer fontes de ignição de tal forma que possa levar ao risco de incêndio ou explosão.
- Todas as possíveis fontes de ignição, incluindo o tabagismo, devem ser mantidas suficientemente afastadas do local de instalação, reparação, remoção e eliminação, durante as quais o refrigerante inflamável pode eventualmente ser libertado para o espaço circundante.
- Antes de realizar o trabalho a área ao redor do equipamento deve ser inspecionado para certificar-se de que não há perigos inflamáveis ou riscos de ignição. "Não fumar" sinais devem ser exibidos.

6-7 Área ventilada

- Certifique-se de que a área esteja aberta ou esteja devidamente ventilada antes de entrar no sistema ou realizar qualquer trabalho a quente.
- Um grau de ventilação deve continuar durante o período em que o trabalho é realizado.
- A ventilação deve dispersar com segurança todo o refrigerante libertado e, de preferência, expulsá-lo externamente para a atmosfera.

6-8 Verificações para o equipamento de refrigeração

- Quando os componentes eléctricos estiverem sendo alterados, os componentes devem estar aptos para a finalidade e para a especificação correcta.
- Em todos os momentos as diretrizes de manutenção e serviço do fabricante devem ser seguidas. Em caso de dúvida, consulte o departamento técnico do fabricante para obter assistência.

CUIDADO

- As seguintes verificações serão aplicadas às instalações que utilizem refrigerantes inflamáveis:
 - O tamanho da carga está de acordo com o tamanho do quarto dentro do qual as peças que contêm refrigerante estão instaladas;
 - As máquinas de ventilação e saídas funcionam adequadamente e não estão obstruídas;
 - Se um circuito de refrigeração indirecto estiver sendo utilizado, o circuito secundário deve ser verificado quanto à presença de refrigerante;
 - A marcação ao equipamento continua a ser visível e legível. As marcas e sinais ilegíveis devem ser corrigidos;
 - Os tubos ou componentes de refrigeração são instalados numa posição em que é improvável que sejam expostos a qualquer substância que possa corroer componentes que contenham refrigerante, a menos que os componentes estejam construídos com materiais que sejam intrinsecamente resistentes à corrosão ou que estejam devidamente protegidos contra a corrosão.

6-9 Verificações em dispositivos eléctricos

- A reparação e manutenção de componentes eléctricos devem incluir controlos de segurança iniciais e procedimentos de inspecção de componentes.
- Se houver uma falha que possa comprometer a segurança, nenhuma fonte eléctrica deve ser conectada ao circuito até que seja tratada satisfatoriamente.
- Se a falha não puder ser corrigida imediatamente, mas for necessário continuar a operação, uma solução temporária adequada deve ser utilizada.
- Isto deve ser comunicado ao proprietário do equipamento para que todas as partes sejam aconselhadas.
- Os controlos de segurança iniciais incluem:
 - Os capacitores são descarregados: isto deve ser feito de forma segura para evitar a possibilidade de faíscas;
 - Não há componentes eléctricos vivos e fiação que estão expostos durante o carregamento, recuperação ou purga do sistema;
 - Há continuidade de ligação à terra.

7. Reparação de componentes selados

- Durante reparos de componentes selados, todos os suprimentos eléctricos devem ser desconectados do equipamento em que estão sendo trabalhados antes de qualquer remoção de tampas seladas, etc.
- Se for absolutamente necessário um fornecimento de energia eléctrica ao equipamento durante a manutenção, uma forma de detecção de vazamento permanentemente operacional deve estar localizada no ponto mais crítico para avisar outros numa situação potencialmente perigosa.
- Atenção especial deve ser prestada ao seguinte para assegurar que, ao trabalhar com componentes eléctricos, o invólucro não seja alterado de forma a afetar o nível de protecção.
- Isto deve incluir danos aos cabos, número excessivo de conexões, terminais não feitos de acordo com a especificação original, danos aos selos, encaixe incorreto de glândulas, etc.
- Certifique-se de que o aparelho está montado de forma segura.
- Certifique-se de que os selos ou materiais de vedação não se tenham degradado de tal modo que não sirvam mais para impedir a entrada de atmosferas inflamáveis.
- As peças de substituição devem estar de acordo com as especificações do fabricante.
NOTA: O uso de selantes de silicone pode inibir a eficácia de alguns tipos de equipamentos de detecção de vazamentos.
Componentes intrinsecamente seguros não precisam de ser isolados antes de trabalhar neles.

8. Reparação de componentes intrinsecamente seguros

- Não aplique nenhuma carga indutiva ou de capacitância permanente ao circuito sem garantir que isso não exceda a tensão e a corrente permitidas para o equipamento em uso.
- Componentes intrinsecamente seguros são os únicos tipos que podem ser trabalhados ao viver na presença duma atmosfera inflamável. O aparelho de ensaio deve estar classificado corretamente.
- Substitua os componentes apenas por peças especificadas pelo fabricante.
- Outras partes podem resultar na ignição do refrigerante na atmosfera de uma fuga.

9. Cabeamento

- Verifique se o cabeamento não estará sujeito a desgaste, corrosão, pressão excessiva, vibração, bordas afiadas ou quaisquer outros efeitos ambientais adversos.
- A verificação deve também ter em conta os efeitos do envelhecimento ou da vibração contínua de fontes tais como compressores ou ventiladores.



10. Detecção de refrigerantes inflamáveis

- Sob nenhuma circunstância devem ser utilizadas fontes potenciais de ignição na busca ou detecção de fugas de refrigerante.
- Não deve ser utilizada uma tocha halóide (ou qualquer outro detector que utilize uma chama).

11. Métodos de detecção de vazamentos

Os seguintes métodos de detecção de fugas são considerados aceitáveis para sistemas que contenham refrigerantes inflamáveis:

- Os detectores eletrônicos de vazamento devem ser usados para detectar refrigerantes inflamáveis, mas a sensibilidade pode não ser adequada, ou pode precisar de recalibração. (O equipamento de detecção deve ser calibrado numa área isenta de refrigerante.)
- Certifique-se de que o detector não é uma fonte potencial de ignição e é adequado para o refrigerante utilizado.
- O equipamento de detecção de fugas deve ser fixado numa percentagem do LFL do refrigerante e deve ser calibrado para o refrigerante utilizado e a percentagem adequada de gás (25% no máximo) é confirmada.
- Os fluidos de detecção de fugas são adequados para uso com a maioria dos refrigerantes, mas o uso de detergentes que contenham cloro deve ser evitado, pois o cloro pode reagir com o refrigerante e corroer a tubulação de cobre.
- Se uma fuga for suspeitado, todas as chamas nuas devem ser removidas/extintas.
- Se for encontrada uma fuga de refrigerante que exija a brasagem, todo o refrigerante deve ser recuperado do sistema, ou isolado (por meio de válvulas de corte) numa parte do sistema remota da fuga.
- O nitrogênio livre de oxigênio (OFN) deve ser purgado através do sistema antes e durante o processo de brasagem.

12. Remoção e evacuação

- Ao invadir o circuito de refrigeração para fazer reparos - ou para qualquer outro propósito, procedimentos convencionais devem ser utilizados.
- No entanto, é importante que sejam seguidas as melhores práticas, uma vez que a inflamabilidade é uma consideração.
- O seguinte procedimento deve ser respeitado:
 - Remover o refrigerante;
 - Purgar o circuito com gás inerte;
 - Evacuar;
 - Purgar novamente com gás inerte;
 - Abrir o circuito através de cortar ou soldar.
- A carga de refrigerante deve ser recuperada nos cilindros de recuperação correctos.
- O sistema deve ser "lavado" com OFN para tornar a unidade segura.
- Esse processo precisa de ser repetido várias vezes.
- O ar ou o oxigênio comprimido não deve ser utilizado para esta tarefa.
- A lavagem deve ser obtida através de romper o vácuo no sistema com OFN e continuar a encher até que a pressão de trabalho seja atingida, ventilando-o para a atmosfera, e finalmente puxando-o para baixo para um vácuo.
- Este processo deve ser repetido até que nenhum refrigerante esteja dentro do sistema. Quando a carga final de OFN é utilizada, o sistema deve ser ventilado para a pressão atmosférica para permitir a realização do trabalho.
- Esta operação é absolutamente vital se as operações de brasagem na canalização forem realizadas.
- Certifique-se de que a saída da bomba de vácuo não está perto de quaisquer fontes de ignição e existe ventilação disponível.

13. Procedimentos de carregamento

- Além dos procedimentos de carregamento convencionais, devem ser seguidos os seguintes requisitos:
 - Certifique-se de que a contaminação de diferentes refrigerantes não ocorre quando se utiliza o equipamento de carga.
 - Mangueiras ou linhas devem ser tão curtas quanto possível para minimizar a quantidade de refrigerante contido neles.
 - Cilindros devem ser mantidos em posição vertical.
 - Certifique-se de que o sistema de refrigeração está aterrado antes de carregar o sistema com refrigerante.
 - Rotule o sistema quando o carregamento está completo (se não estiver concluído).
 - Tome cuidado para não sobrecarregar o sistema de refrigeração.
 - Antes de recarregar o sistema, ele deve ser testado sob pressão com OFN.
- Teste de fugas no sistema deve ser realizado após o carregamento, mas antes do comissionamento.
- Um teste de fugas seguinte deve ser realizado antes de sair do local.

14. Descomissionamento

Antes de realizar este procedimento, é essencial que o técnico esteja completamente familiarizado com o equipamento e todos os seus pormenores.
Recomenda-se que todos os refrigerantes sejam recuperados com segurança.

CUIDADO

Antes da realização da tarefa, uma amostra de óleo e refrigerante deve ser recolhida, caso seja necessária a análise antes da reutilização do refrigerante recuperado. É essencial que a energia elétrica esteja disponível antes que a tarefa seja iniciada.

- a) Familiarize-se com o equipamento e o seu funcionamento.
- b) Isole o sistema eletricamente.
- c) Antes de tentar o procedimento, certifique-se de que:
 - O equipamento de manuseamento mecânico está disponível, se necessário, para manusear cilindros de refrigerante;
 - Todos os equipamentos de proteção pessoal estão disponíveis e estão sendo usados corretamente;
 - O processo de recuperação é sempre supervisionado por uma pessoa competente;
 - Equipamentos e cilindros de recuperação cumprem com as normas apropriadas.
- d) Bombeie o sistema de refrigerante, se possível.
- e) Se um vácuo não for possível, faça um colector para que o refrigerante possa ser removido de várias partes do sistema.
- f) Certifique-se de que o cilindro está situado nas balanças antes da realização da recuperação.
- g) Inicie a máquina de recuperação e opere-a de acordo com as instruções do fabricante.
- h) Não encha demais os cilindros. (Não mais de 80% de carga líquida em volume).
- i) Não exceda a pressão de trabalho máxima do cilindro, mesmo temporariamente.
- j) Quando os cilindros foram enchidos corretamente e o processo foi concluído, certifique-se de que os cilindros e o equipamento são removidos do local prontamente e todas as válvulas de isolamento no equipamento são fechadas.
- k) O refrigerante recuperado não deve ser carregado em outro sistema de refrigeração, a menos que o sistema tenha sido limpo e verificado.

15. **Marcação**

Os equipamentos devem ser rotulados, indicando que foram descomissionados e esvaziados de refrigerante. O rótulo deve ser datado e assinado. Certifique-se de que existem etiquetas no equipamento que indicam que o equipamento contém refrigerante inflamável.

16. **Recuperação**

- Ao remover refrigerante dum sistema, para manutenção ou desativação, recomenda-se que todos os refrigerantes sejam removidos com segurança.
- Ao transferir o refrigerante para os cilindros, certifique-se de que apenas sejam utilizados cilindros adequados de recuperação de refrigerante.
- Certifique-se de que o número correto de cilindros para manter a carga total do sistema esteja disponível.
- Todos os cilindros a serem utilizados são designados para o refrigerante recuperado e marcados para esse refrigerante (isto é, cilindros especiais para a recuperação de refrigerante).
- Os cilindros devem estar completos com válvula de alívio de pressão e válvulas de corte associadas em bom estado de funcionamento.
- Os cilindros de recuperação vazios são evacuados e, se possível, arrefecidos antes de realizar a recuperação.
- O equipamento de recuperação deve estar em bom estado de funcionamento com um conjunto de instruções relativas ao equipamento que está à mão e deve ser adequado para a recuperação de refrigerantes inflamáveis.
- Além disso, um conjunto de balanças calibradas deve estar disponível e em bom estado de funcionamento.
- As mangueiras devem estar completas com acoplamentos de desconexão sem fugas e em boas condições.
- Antes de utilizar a máquina de recuperação, verifique se ela está em bom estado de funcionamento, se foi devidamente mantida e se todos os componentes eléctricos associados são selados para evitar a ignição no caso duma libertação de refrigerante.
- Consulte o fabricante em caso de dúvida.
- O refrigerante recuperado deve ser devolvido ao fornecedor de refrigerante no cilindro de recuperação correcto com a respectiva Nota de Transferência de Resíduos.
- Não misture refrigerantes em unidades de recuperação e especialmente em cilindros.
- Se os compressores ou os óleos do compressor forem removidos, certifique-se de que foram evacuados para um nível aceitável para se certificar de que o refrigerante inflamável não permanece dentro do lubrificante.
- O processo de evacuação deve ser realizado antes de devolver o compressor aos fornecedores.
- Somente o aquecimento eléctrico do corpo do compressor deve ser empregado para acelerar este processo.
- Quando o óleo é drenado dum sistema, a recuperação deve ser realizada com segurança.





CUIDADO

- O aparelho deve ser instalado, operado e armazenado numa sala com uma área de piso maior que X (X é visto abaixo).
- A instalação do trabalho de tubulação deve ser mantida numa sala com uma área de piso maior que X (X é visto abaixo).
- As tubagens devem cumprir com as normas nacionais de gás.
- Ao mover ou realocar o ar condicionado, consulte técnicos de serviço experientes para a desconexão e reinstalação da unidade.
- Não coloque quaisquer outros produtos eléctricos ou pertences domésticos sob a unidade interior ou unidade exterior.
- A condensação que escorre da unidade pode molhá-los e causar danos ou mau funcionamento da sua propriedade.
- Não utilize meios para acelerar o processo de descongelação ou para limpar, exceto os recomendados pelo fabricante.
- O aparelho deve ser armazenado numa sala sem fontes de ignição de funcionamento contínuo, por exemplo (chamas abertas, um aparelho a gás em funcionamento ou um aquecedor eléctrico em funcionamento).
- Não perfure nem queime o aparelho.
- Esteja ciente de que os refrigerantes não podem conter um odor.
- Para manter as aberturas de ventilação livres de obstrução.
- O aparelho deve ser armazenado numa área bem ventilada, em que a dimensão da sala corresponde à área da sala, conforme especificado para a operação.
- O aparelho deve ser armazenado numa sala sem chamas abertas de funcionamento contínuo (por exemplo, um aparelho a gás em funcionamento) e fontes de ignição (por exemplo, aquecedor eléctrico a funcionar).
- Qualquer pessoa que esteja envolvida em trabalhar ou entrar num circuito de refrigeração deve ter um certificado válido duma autoridade de avaliação credenciada pela indústria, que autoriza sua competência para manusear refrigerantes de forma segura de acordo com uma especificação de avaliação reconhecida pelo setor.
- O aparelho deve ser instalado e armazenado de modo a evitar danos mecânicos.
- A manutenção só deve ser realizada conforme recomendado pelo fabricante do equipamento.
- A manutenção e a reparação que exijam a assistência de outro pessoal qualificado devem ser efectuadas sob a supervisão da pessoa competente na utilização de refrigerantes inflamáveis.
- Não utilize meios para acelerar o processo de descongelação ou para limpar, exceto os recomendados pelo fabricante.

Área mínima requerida X (m²)

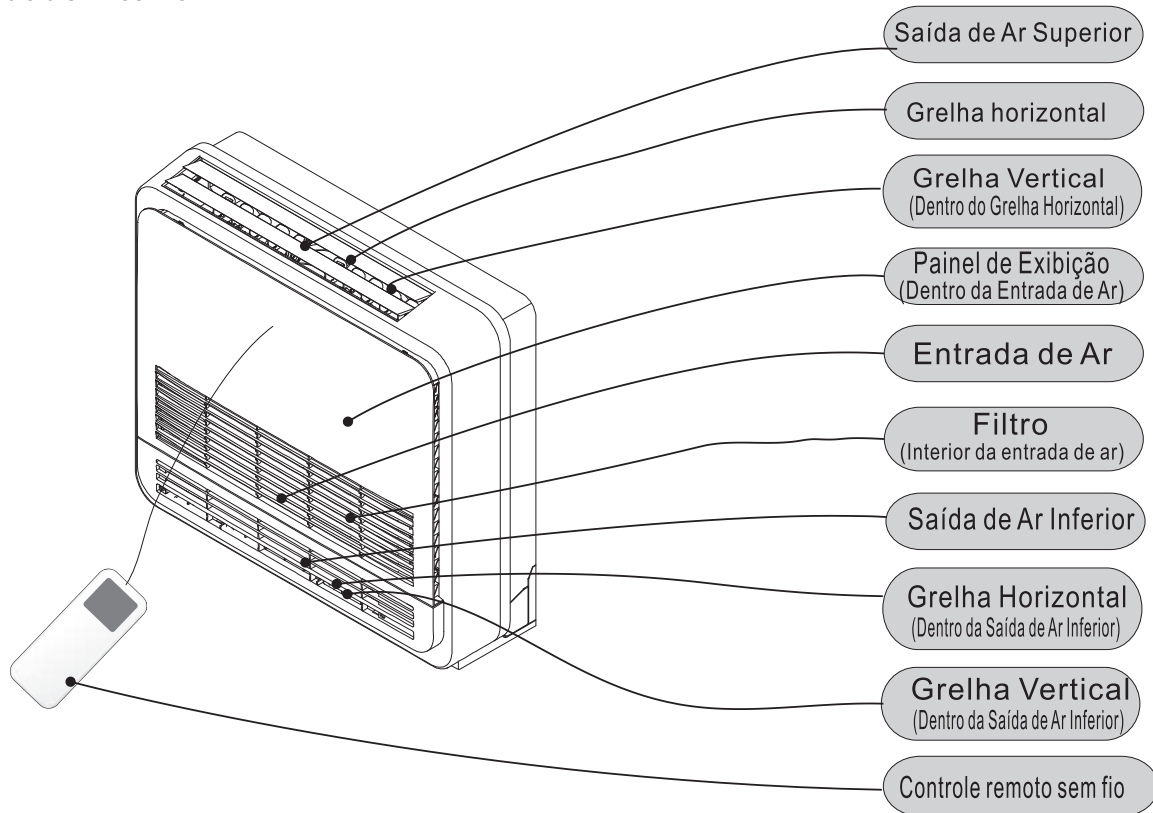
Série	Modelo	Altura da instalação (m)			
		0.6	1.0	1.8	2.2
Multi-split	26~52	111	40	12	8
Unitário	26/35	13.3	4.8	1.5	1
	40/52	30.2	10.9	3.4	2.2

Explicação dos símbolos apresentados na unidade interior ou exterior.

	ADVERTÊNCIA	Este símbolo indica que este aparelho utiliza um refrigerante inflamável. Se o refrigerante estiver vazado e exposto a uma fonte de ignição externa, existe o risco de incêndio
	CUIDADO	Este símbolo mostra que o manual de operação deve ser lido com cuidado.
	CUIDADO	Este símbolo mostra que um pessoal de manutenção deve manusear este equipamento com referência ao manual de instalação.
	CUIDADO	Este símbolo mostra que as informações estão disponíveis, tais como o manual de operação ou o manual de instalação.

Composição do ar condicionado

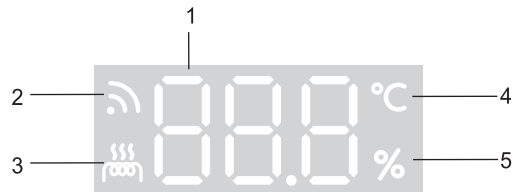
Unidade interior



Notas:

As figuras no manual são apenas uma representação simples do aparelho, podendo não estar em conformidade com a aparência do ar condicionado que você comprou.

Painel de exibição



1 Indicador de temperatura/humidade

Exibe a temperatura definida no interior ou a temperatura interior; Exibe a humidade no interior (modelos sem um visor de sensor de humidade “”).

2 Recetor Wi-Fi

Acende-se quando o Wi-Fi está conectado. Apaga-se quando o Wi-Fi está desconectado.

3 Indicador do aquecedor elétrico (Só é válido para o ar condicionado com a função aquecedor elétrico.)

Acende-se durante o modo aquecimento quando o aquecedor elétrico está ligado. Apaga-se quando o aquecedor conclui a sua função.

4 Indicador da Unidade de Temperatura (°C)

Acende-se quando o ar condicionado exibe a temperatura em Celsius, apaga-se quando exibe a temperatura em Fahrenheit.

5 Indicador de humidade

Acende-se quando exibe a humidade.

Nota: Esta figura é baseada na visão externa dum modelo padrão.

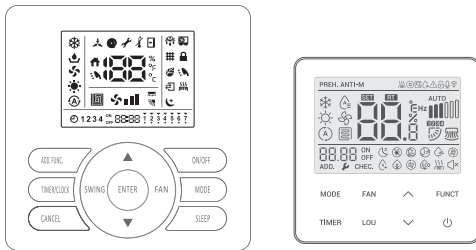
Para o tipo multi-divisão, a unidade não será iniciada quando o interruptor de emergência for pressionado. Consequentemente, a forma pode diferir da do ar condicionado que você selecionou.

Composição do ar condicionado

Controle remoto (opcional)

Você pode controlar o ar condicionado com o controle remoto com fio ou controle remoto sem fio. Ele é usado para controlar a alimentação LIGADA/DESLIGADA, ajustando o modo de funcionamento, temperatura, velocidade do ventilador e outras funções. Existem diferentes tipos de controladores remotos que podem ser selecionados. A instrução de operação será especificada no manual do controlador remoto separadamente. Leia-o atentamente antes de utilizar este aparelho e guarde este manual para referência futura.

Controle remoto com fio



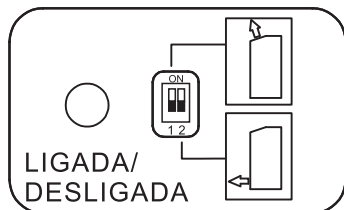
Controle remoto sem fio



Interruptor de troca de fluxo de ar

Mude o interruptor de fluxo de ar para LIGADO para limitar a direção do fluxo de ar.

- 1) Remova a grelha frontal.
- 2) Mude o interruptor no lado direito do painel para LIGADO.



Configuração do Interruptor	Fluxo de Ar	
	Resfriamento	Aquecimento
ON 1 2		
ON 1 2		
ON 1 2		
ON 1 2		

Nota: O ar condicionado decide automaticamente o padrão de sopro apropriado.

Observações especiais

● **Proteção de 3 minutos de após a paragem do compressor**

Para proteger o compressor, há pelo menos 3 minutos de paragem após a paragem do compressor.

● **Proteção de 5 minutos**

O compressor deve funcionar pelo menos 5 minutos em cada funcionamento. Nos 5 minutos, o compressor não parará mesmo que a temperatura ambiente alcance o ponto de ajuste, a menos que você use o remoto para desligar a unidade (toda a unidade interna será desligada pelo usuário).

● **Operação de resfriamento**

O ventilador da unidade interior nunca parará de funcionar. Ele continua a funcionar mesmo que o compressor pare de funcionar.

● **Operação de aquecimento**

Quando o ar condicionado realiza a operação de aquecimento por meio de aproveitar o calor do ar exterior (através da bomba de aquecimento), a capacidade de aquecimento pode diminuir se a temperatura fora da sala for demasiado baixa. Se o efeito de aquecimento não é tão satisfatório, use algum outro dispositivo de aquecimento em conjunto.

● **Função anti-congelamento durante o arrefecimento**

Quando a temperatura do ar da tomada interior for demasiado baixa, a unidade funcionará por algum tempo sob o modo de ventilador, para evitar a formação de geada ou gelo no interior do permutador de calor.

● **Função anti ar frio**

Quando aquece, para prevenir que a unidade interior sobre ar frio, a velocidade da ventoinha é controlada a ar de baixa velocidade ou parada no modo aquecimento e a velocidade da ventoinha é definida segundo a temperatura da bobina interior.

● **Descongelação**

Quando a temperatura exterior é demasiado baixa, geada ou gelo pode formar-se no permutador de calor exterior, reduzindo o desempenho do aquecimento. Quando isso acontece, um sistema de descongelação do ar condicionado funcionará. Ao mesmo tempo, o ventilador na unidade interior vai parar (ou funcionar a uma velocidade muito baixa em alguns casos), alguns minutos mais tarde, a descongelação é concluída, e a operação de aquecimento será reiniciada.

● **Soprar o ar de aquecimento de sobrevivência**

Ao parar o ar condicionado em funcionamento normal, o motor do ventilador funciona a baixa velocidade por um tempo para soprar o ar de aquecimento de sobrevivência.

● **Recuperação de Pausa de Energia**

Quando a fonte de alimentação é recuperada após o corte, todas as predefinições ainda são eficazes e o ar condicionado pode funcionar de acordo com a configuração original.

Resolução de Problemas



Quando ocorrer um transbordamento de água de drenagem da unidade interior, pare a operação e entre em contato com o seu contratado. Quando você cheira ou vê fumaça branca que vem da unidade, desligue a fonte de alimentação principal e entre em contato com seu contratado.

1. Se o problema persistir

Se o problema persistir mesmo depois de verificar o seguinte, entre em contato com seu contratado e informe -os dos seguintes itens.

- (1) Nome do Modelo da Unidade
- (2) Conteúdo do Problema

2. Sem Operação

Verifique se a TEMPERATURA DEFINIDA está ajustada na temperatura correta.

3. Não arrefecer nem aquecer bem

- Verifique se há obstrução do fluxo de ar das unidades externa ou interna.
- Verifique se existe muita fonte de calor na sala.
- Verifique se o filtro de ar está obstruído com poeira.
- Verifique se as portas ou janelas estão abertas ou não.
- Verifique se a condição de temperatura não está dentro da faixa de operação.

4. Isso Não é Anormal

● **Cheiros da unidade interna**

Cheiro adere na unidade interna após um longo período de tempo. Limpe o filtro de ar e os painéis ou permita uma boa ventilação.

- **Som de Peças Deformadas**

Durante o arranque ou a paragem do sistema, você pode ouvir um som abrasivo. No entanto, isto deve-se à deformação térmica de peças plásticas. Não é anormal.

- **Orvalho no painel de ar**

Quando a operação de refrigeração continua por um longo período de tempo em condições de alta umidade (superior a 27°C/80% R.H.), O orvalho pode se formar no painel de ar.

- **Som do fluxo de refrigerante**

Quando o sistema está sendo iniciado ou parado, o som do fluxo de refrigerante pode ser ouvido.

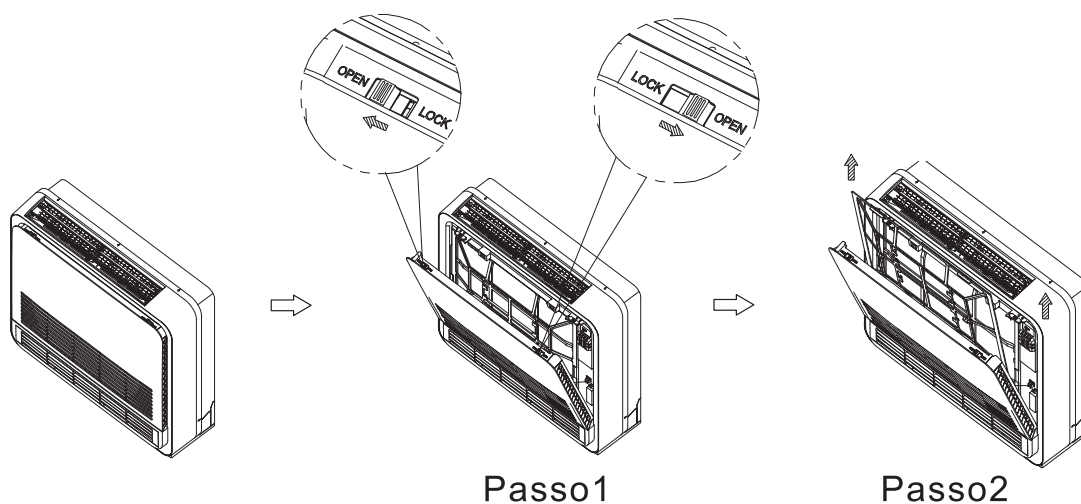
5. Removing filter from air return grille

- **Método de remoção**

Retire o filtro de ar de acordo com as seguintes etapas.

Passo 1: Deslize até que as 2 rolhas se encaixem no lugar como mostrado.

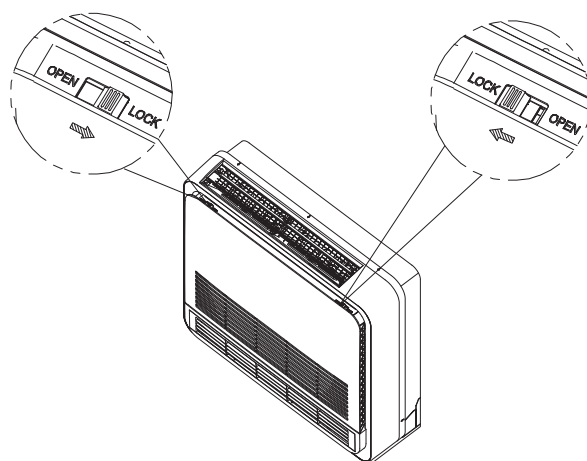
Passo 2: Abra a grelha frontal e retire o filtro de ar do painel frontal.



- **Método de instalação**

Passo 1: Insira o filtro no painel e aponte os ganchos inferiores. Preste atenção aos ganchos superiores bloqueados.

Passo 2: Feche a grade frontal e deslize até que as 2 rolhas se encaixem no lugar conforme mostrado.



6. Interferência de Modo (para multi-split)

Pelo fato de que todas as unidades internas usam uma unidade externa, a unidade externa só pode funcionar com o mesmo modo (refrigeração ou aquecimento), então, quando o modo que você define é diferente do modo em que a unidade externa está funcionando, a interferência de modo ocorre. A tabela da interferência de modo é mostrada a seguir.

	resfriamento	secagem	aquecimento	ventilador	
resfriamento	✓	✓	×	✓	✓ — normal
secagem	✓	✓	×	✓	×
aquecimento	×	×	✓	×	×
ventilador	✓	✓	×	✓	×

a unidade externa sempre funciona com o modo da primeira unidade interna ligada. quando o modo definido da seguinte unidade interna é interferido, 3 bipes serão ouvidos e a unidade interna interferida com as unidades em funcionamento normal desliga-se automaticamente.

Se o modo auto estiver selecionado, o modo de execução atual da unidade será dominado pela unidade da qual selecionou primeiro o modo auto. (O modo auto é inválido para alguns modelos.)

1. Aviso de segurança

AVISO

- A instalação deve ser deixada ao revendedor ou a outra pessoa profissional. (Uma instalação incorreta pode provocar fugas de água, choque elétrico ou incêndio.)
- Instale a unidade de acordo com as instruções dadas neste manual. (Instalação incompleta pode causar vazamento de água, choque elétrico ou incêndio.)
- Certifique-se de utilizar as peças de instalação fornecidas ou especificadas. (O uso de outras peças pode fazer com que a unidade seja sujeito a perder, vazamento de água, choque elétrico ou incêndio.)
- Instale o ar condicionado numa base sólida que possa suportar o peso da unidade. (Uma base inadequada ou instalação incompleta pode causar ferimentos quando a unidade cai da base.)
- O trabalho elétrico deve ser efetuado de acordo com o manual de instalação e as normas locais de fiação elétrica local ou código de prática. (Capacidade insuficiente ou trabalho elétrico incompleto pode causar choque elétrico ou incêndio.)
- Certifique-se de utilizar um circuito de alimentação dedicado. (Nunca use uma fonte de alimentação compartilhada por outro aparelho.)
- Para a fiação, use um cabo suficientemente longo para cobrir toda a distância sem conexão, não use uma extensão.
- Não coloque outras cargas na fonte de alimentação, use um circuito de alimentação dedicado. (Falha de fazer isso pode causar calor anormal, choque elétrico ou incêndio.)
- Utilize os tipos especificados de fios para ligações elétricas entre as unidades interior e exterior. (Aperte firmemente os fios de interconexão para que seus terminais não recebam tensões externas.)
- Conexões ou fixações incompletas podem causar superaquecimento ou incêndio no terminal.
- Depois de conectar a fiação de interconexão e de alimentação, certifique-se de moldar os cabos para que não coloquem força excessiva nas tampas ou painéis elétricos. (Instale as tampas nos fios, a instalação incompleta da cobertura pode causar superaquecimento do terminal, choque elétrico ou incêndio.)
- Ao instalar ou recolocar o sistema, certifique-se de manter o circuito do refrigerante livre de substâncias diferentes do refrigerante especificado (consulte a placa de identificação), como o ar. (Qualquer presença de ar ou outra substância estranha no circuito do refrigerante provoca um aumento ou ruptura anormal da pressão, resultando em lesões.)
- Se qualquer refrigerante tiver vazado durante o trabalho de instalação, ventile a sala. **(O refrigerante R32 leva ao risco de incêndio e explosão).**
- Depois que a instalação seja concluída, verifique se não há vazamento de refrigerante. **(O refrigerante R32 leva ao risco de incêndio e explosão).**
- Ao realizar a conexão da tubulação, tome cuidado para não permitir a entrada de substâncias que não sejam o refrigerante especificado no ciclo de refrigeração. (Caso contrário, a substância causará menor capacidade, alta pressão anormal no ciclo de refrigeração, explosão e lesões.)
- Certifique-se de estabelecer um aterramento. Não ligue a unidade a uma tubulação de serviço público, pára-raios ou fio terra de telefone. Aterramento incompleto pode causar choque elétrico. (Uma alta corrente de sobretensão proveniente de raios ou de outras fontes pode causar danos ao ar condicionado.)
- Um disjuntor do circuito de fuga à terra pode ser necessário, dependendo da condição do local para evitar choque elétrico. (A falha de fazer isso poderá provocar um choque elétrico.)
- Desconecte a fonte de alimentação antes de concluir a fiação, tubulação ou verificação da unidade.
- Ao mover a unidade interior e a unidade exterior, tenha cuidado. Não faça a inclinação da unidade exterior por mais de 45 graus. Por favor, evite ser ferido pela borda afiada do ar condicionado.
- Instale o controle remoto: Certifique-se de que o comprimento do fio entre a unidade interna e o controle remoto esteja dentro de 40 metros.

CUIDADO

- Não instale o aparelho de ar condicionado num local onde exista perigo de exposição a fugas de gás inflamáveis. (Se o gás escapar e se acumular em torno da unidade, ele pode pegar fogo.)
- Estabeleça as tubagens de drenagem de acordo com as instruções deste manual. (Tubulação inadequada pode causar inundações.)
- Aperte a porca de alargamento de acordo com o método especificado, como por exemplo com uma chave de torque. (Se a porca de alargamento estiver muito apertada, a porca de alargamento pode rachar depois dum longo período de tempo e causar fugas de refrigerante.)

2. As ferramentas e Instrumentos para instalação

Número	Ferramenta
1	Chave de fenda padrão
2	Bomba de vácuo
3	Mangueira de carga
4	Dobrador de tubos
5	Chave de boca ajustável
6	Cortador de tubos
7	Chave de fenda com cabeça cruzada
8	Faca ou cortador de fio
9	Medidor de nivelamento
10	Martelo
11	Broca de churn
12	Expansor de tubo
13	Chave inglesa interna hexagonal
14	Fita métrica

3. A Instalação da Unidade Interna



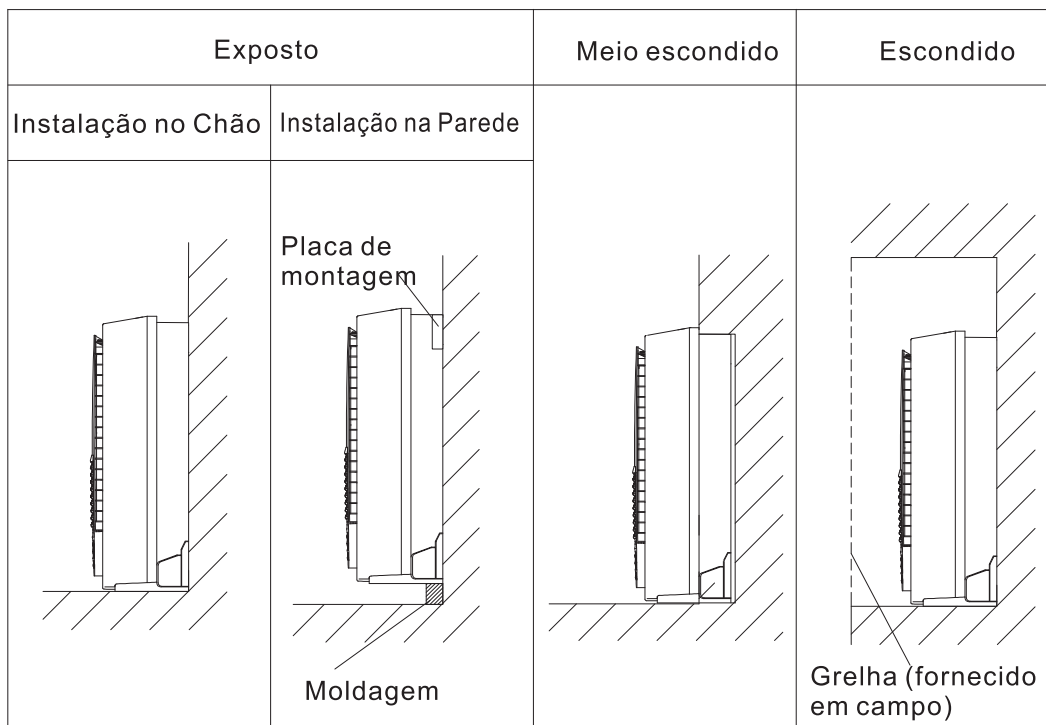
Durante a instalação, não danifique o material de isolamento na superfície da unidade interna.

3.1 Antes da instalação

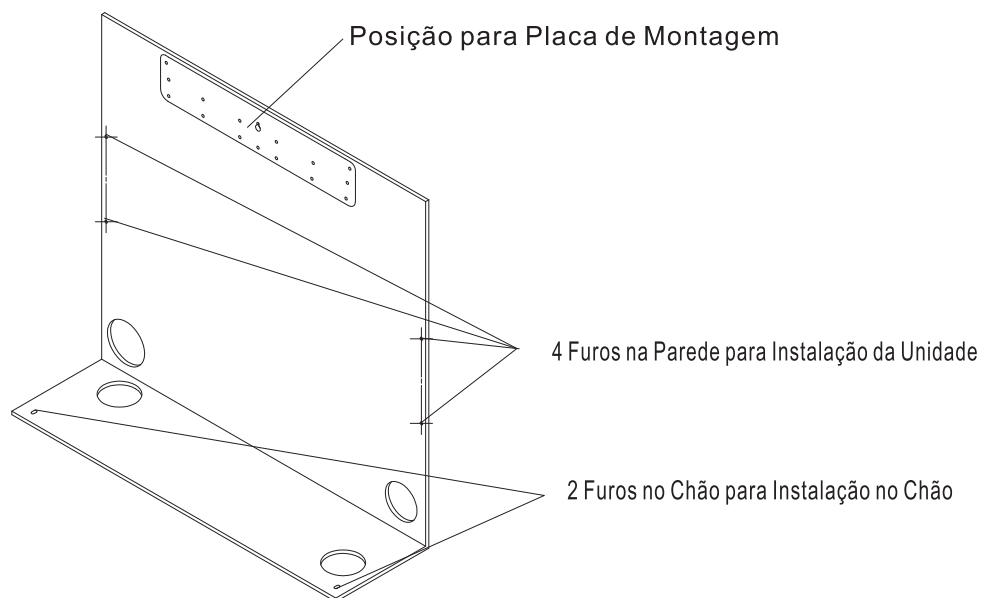
- Ao mover a unidade durante ou após a desembalagem, certifique-se de elevar a unidade através de manter as alças de elevação. NÃO exerça pressão em outras peças, especialmente a tubulação de refrigerante, tubulação de drenagem e peças de flange.
NÃO exerça pressão em outras peças, especialmente a tubulação de refrigerante, tubulação de drenagem e peças de flange.
- Use equipamentos de proteção (luvas e assim por diante) ao instalar a unidade.
- Instale-a corretamente de acordo com o manual de instalação.
- Confirme os seguintes pontos:
 - Tipo de unidade / Especificação da fonte de energia
 - Tubos / Fios / Peças pequenas
 - Itens de acessórios

Instalação e Manutenção

- a unidade interna pode ser montada em qualquer um dos três estilos mostrados abaixo:



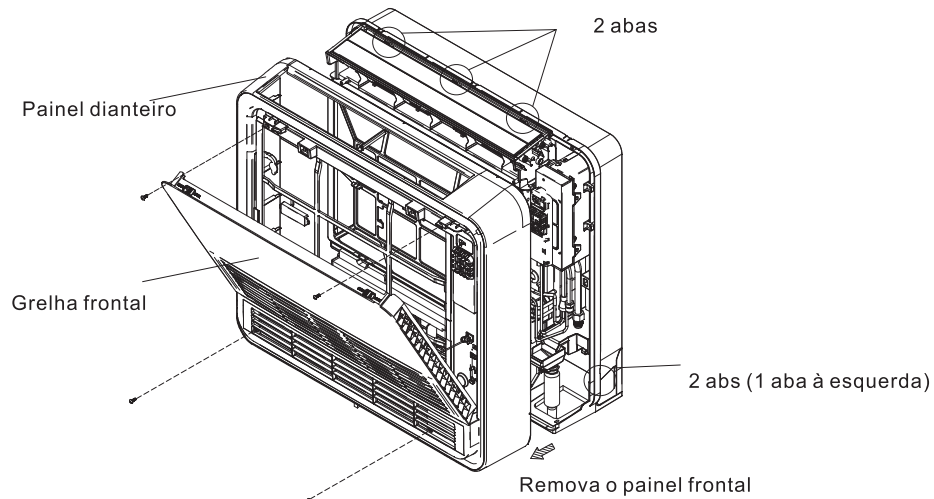
- Localização para proteger o modelo de instalação.



Instalação e Manutenção

• Remover e Instalar o Painel Frontal

- Método de remoção: Abra a grelha frontal. Remova os 4 parafusos e remova o painel frontal ao puxá-lo para frente (4 abas).
- Método de instalação: Fixe o painel frontal com os 4 parafusos de instalação (4 abas). Volte a colocar a grelha frontal na posição original.



3.2 Localização da instalação

- Selecione as áreas adequadas para instalar a unidade sob aprovação do usuário.
- A passagem de ar não está bloqueada.
- Condensado pode ser drenado adequadamente.
- A parede é forte o suficiente para suportar o peso da unidade interna. Se houver risco de que a parede não seja forte o suficiente, reforce a parede antes de instalar a unidade.
- É assegurada uma depuração suficiente para manutenção e manutenção. (Ver Fig.3.2.1)
- A tubulação entre as unidades interna e externa está dentro dos limites permitidos (consulte a instalação da unidade externa)
- A unidade interna, a unidade externa, a fiação da fonte de alimentação e a fiação da transmissão estão a pelo menos 1 metro de distância das televisões e do rádio, para evitar interferências de imagem e ruídos nos aparelhos elétricos. (O ruído pode ser gerado dependendo das condições em que a onda elétrica é gerada, mesmo que seja mantida uma tolerância de um metro).
- Se houver 2 unidades de tipo sem fio, mantenha-as afastadas por mais de 6 m para evitar mau funcionamento devido à comunicação cruzada.
- Quando várias unidades internas estão instaladas nas proximidades, mantenha-as afastadas por mais de 3-4m.

Espaço para instalação e serviço

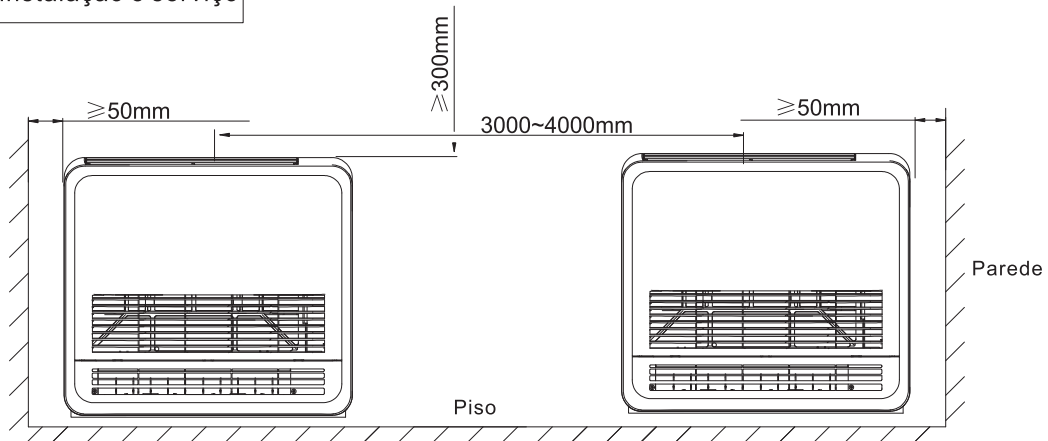
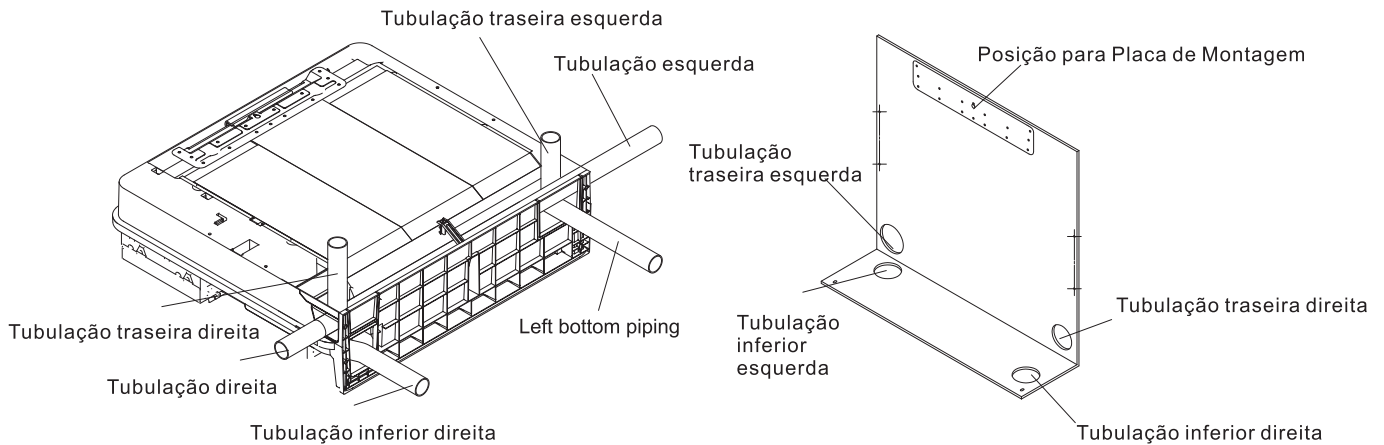


Fig. 3.2.1

3.3 Instalação Exposta

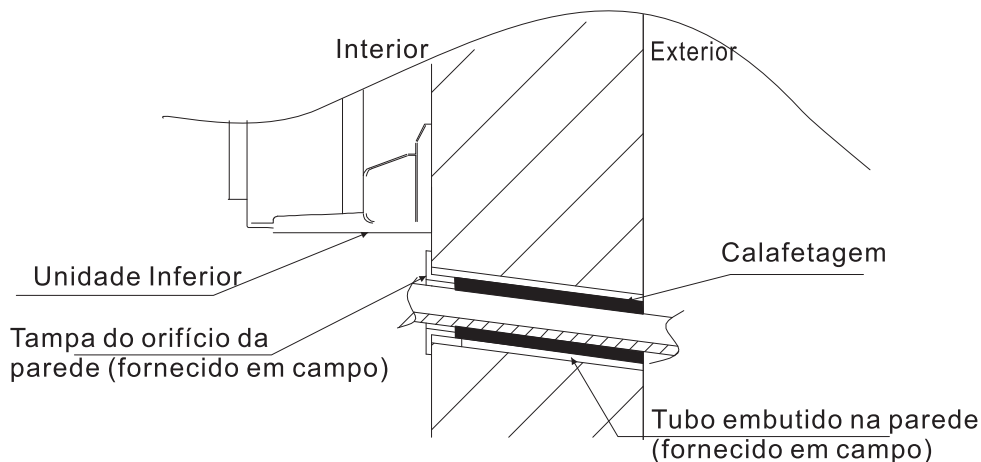
3.3.1 Tubulação de refrigerante

- (1) Faça um furo (diâmetro de 65 mm) no ponto indicado pelo símbolo "o" no modelo de instalação como abaixo.
- (2) A localização do furo é diferente, dependendo de qual lado do tubo é retirado.
- (3) Para tubulação, consulte 3.3.5 Conectar o tubo de refrigerante.
- (4) Deixe espaço ao redor do tubo para facilitar a conexão do tubo da unidade interna.



3.3.2 Perfurar um furo na parede e instalar um tubo embutido na parede

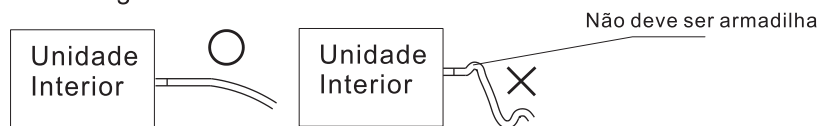
- Para paredes que contenham estrutura de metal ou placa de metal, certifique-se de usar um tubo embutido na parede e uma tampa de parede no orifício de passagem para evitar possível aquecimento, choque elétrico ou incêndio.
 - Certifique-se de calafetar as folgas ao redor dos tubos com material de calafetagem para evitar vazamento de água.
- (1) Perfure um orifício de passagem de 65 mm na parede para que ele tenha uma inclinação para baixo em direção ao exterior.
 - (2) Insira um tubo de parede no orifício.
 - (3) Insira uma tampa de parede no tubo de parede.
 - (4) Depois de completar a tubulação de refrigerante, a fiação e a tubulação de drenagem, calafete o espaço do furo da tubulação com a massa de vidraceiro.



Instalação e Manutenção

3.3.3 Tubulação de drenagem

- (1) Utilize um tubo rígido de cloreto de polivinila comercial (diâmetro externo de 26 mm, diâmetro interno de 20 mm) para o tubo de drenagem.
- (2) A mangueira de drenagem (comprimento de 315 mm) e o tubo de água (comprimento de 2000 mm) são fornecidos com a unidade interior.
Prepare a imagem do tubo de drenagem abaixo da posição.
- (3) O tubo de drenagem deve ser inclinado para baixo num gradiente de pelo menos 1/100, para que a água flua suavemente sem qualquer acúmulo. (Não deve ser armadilha.)
- (4) Insira a mangueira de drenagem até a profundidade (50 mm ou mais) para que não seja puxada para fora do tubo de drenagem.
- (5) Isole o tubo de drenagem interno com 10 mm ou mais de material de isolamento para evitar a condensação.
- (6) Remova os filtros de ar e coloque um pouco de água (aproximadamente 1000cc) no reservatório de drenagem para verificar se a água flui suavemente.



▲ CUIDADO

- . A acumulação de água na tubagem de drenagem pode causar o entupimento do dreno.
- . Não torça ou dobre a mangueira de drenagem, de modo que a força excessiva não é aplicada a ela. Não fazer isso pode causar vazamento de água.

3.3.4 Instalar a unidade interna

3.3.4.1 Preparação

- . Abra a grelha frontal, remova os 4 parafusos e desmonte o painel frontal ao puxá-lo para frente.

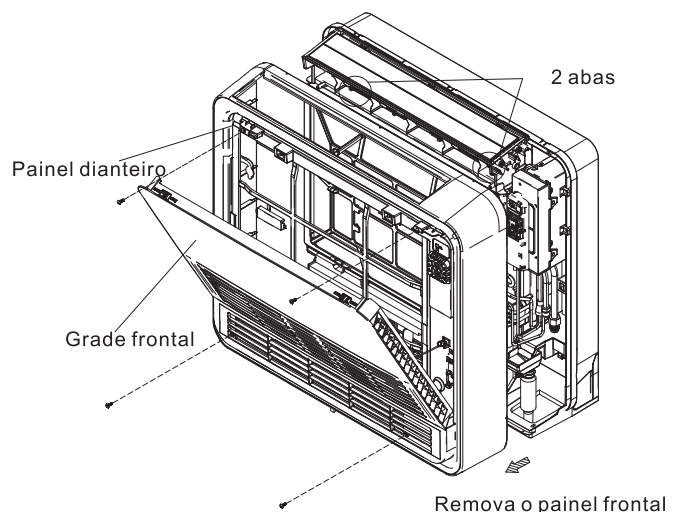
- . Siga o procedimento abaixo ao remover as partes divididas.

○ Para Molduras

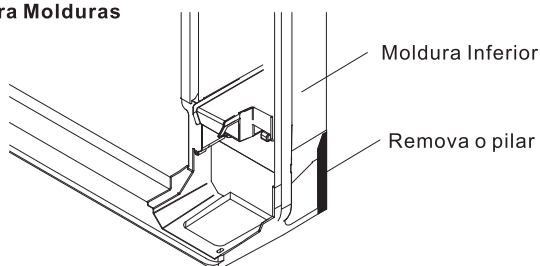
- . Remova os pilares. (Remova as porções de fenda na moldura inferior com alicates.)

○ Para Tubulação Lateral

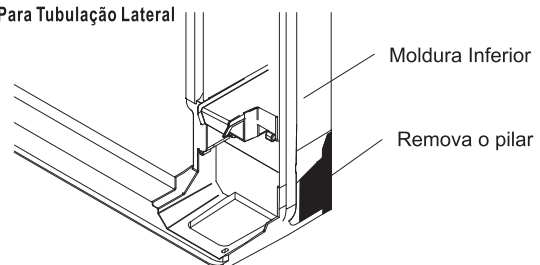
- . Remova as porções de fenda na moldura inferior com alicates.



Para Molduras



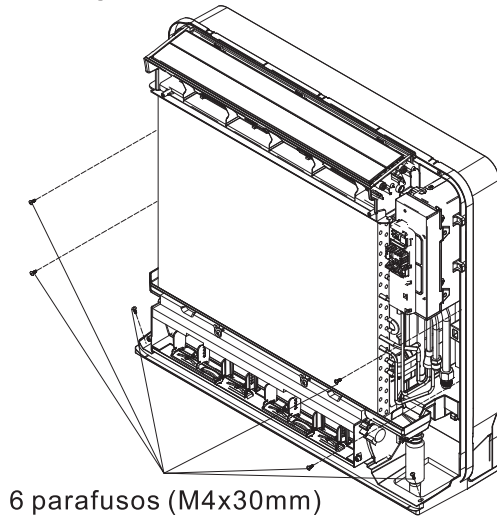
Para Tubulação Lateral



3.3.4.2 Instalação

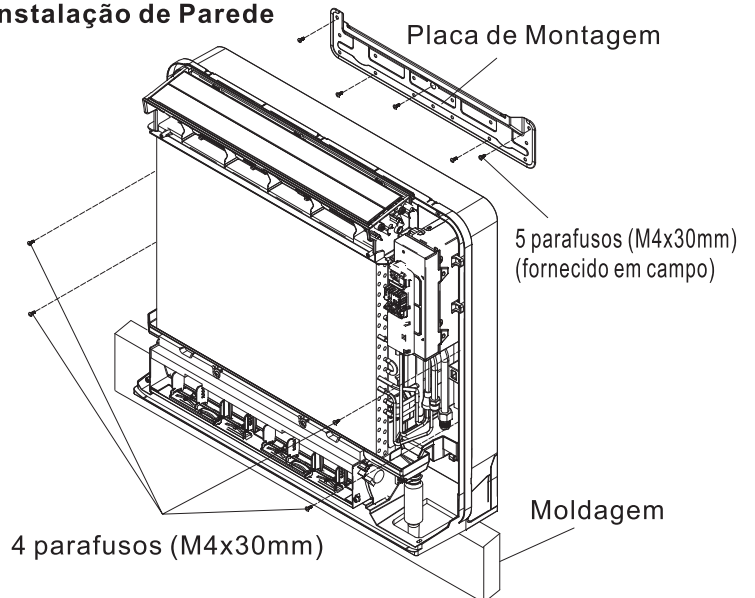
- Use 6 parafusos para instalações no chão. (Não se esqueça de proteger a parede traseira.)
 - Para a instalação na parede, fixe a placa de montagem com 5 parafusos e a unidade interna com 4 parafusos.
 - A placa de montagem deve ser instalada numa parede que possa suportar o peso da unidade interna.
- (1) Fixe temporariamente a placa de montagem na parede, certifique-se de que o painel esteja completamente nivelado e marque os pontos de perfuração na parede.
 - (2) Fixe a placa de montagem na parede com parafusos.

Instalação no Chão



6 parafusos (M4x30mm)

Instalação de Parede



4 parafusos (M4x30mm)

Placa de Montagem

5 parafusos (M4x30mm)
(fornecido em campo)

Moldagem

- (3) Quando as conexões da tubulação de refrigerante e da tubulação de drenagem estiverem completas, preencha a folga do orifício de passagem com a massa. Uma folga pode levar à condensação no tubo de refrigerante e no tubo de drenagem e à entrada de insetos nos tubos.
- (4) Anexe o painel frontal e a grelha frontal nas posições originais depois que todas as conexões estiverem completas.

3.3.5 Conectar o tubo de refrigerante



Ao realizar a verificação de vazamento e teste, não misture oxigênio, acetileno e gás inflamável e virulento, pois estes gases são bastante perigosos e podem causar explosão. Sugere-se que o ar comprimido, o nitrogênio ou o refrigerante sejam utilizados para realizar essas experiências.

3.3.5.1 Material do Tubo

- (1) Prepare o tubo de cobre no local.
- (2) Escolha o tubo de cobre limpo sem poeira e umidade. Antes de instalar o tubo, use azoto ou ar seco para soprar a poeira e para a impureza do tubo.
- (3) Escolha o tubo de cobre de acordo com a Fig. 4.2.

3.3.5.2 Conexão do Tubo

- (1) As posições de conexão do tubo são mostradas na Fig. 4.1.

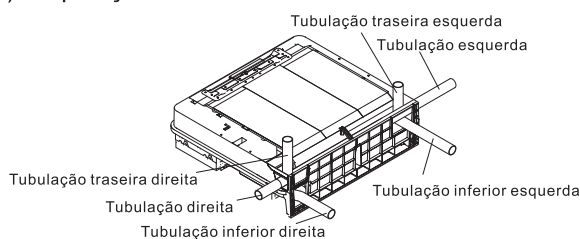


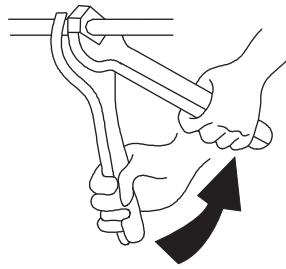
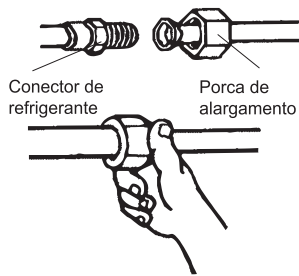
Fig. 4.1 As posições de conexão do tubo

Capacidade (kW)	Tubo de gás	Tubo de líquido
26/35	φ 9.52	φ 6.35
40/52	φ 12.7	φ 6.35

Fig. 4.2 o diâmetro do tubo

Instalação e Manutenção

(2) Conforme mostrado na Fig. 4.3, alinhe os centros dos dois porcas de alargamento e aperte as porcas de 3 ou 4 voltas manualmente. Em seguida, aperte-as totalmente com as chaves de torque. Aperte as porcas com 2 chaves.



Tamanho do tubo	Torque (N.m)
φ 6.35mm	20
φ 9.52mm	40
φ 12.7mm	60
φ 15.88mm	80
φ 19.05mm	100

Fig. 4.3 Aparafuse o torque da porca

▲ CUIDADO

- O tubo passa pelo furo com o selo.
- Proteja a extremidade aberta do tubo contra poeira e umidade.
- Todas as curvas do tubo devem ser o mais suave possível. Use um dobrador de tubo para dobrar.
- Não coloque os tubos no chão diretamente.



(3) Depois de terminar de conectar os tubos de refrigerante, mantenha-o aquecido com o material de isolamento. Certifique-se de isolar as tubulações de gás e líquido separadamente.

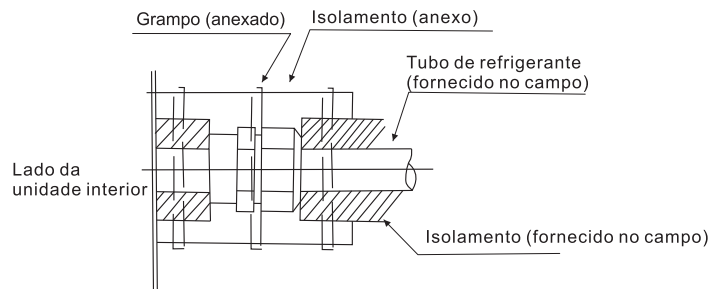
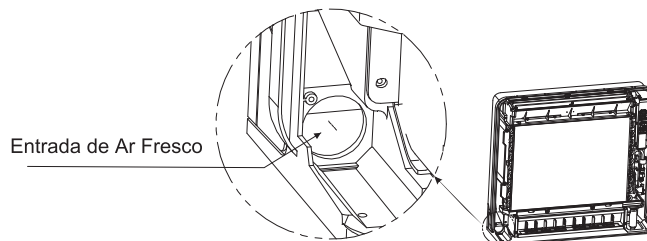


Fig. 4.4 Procedimento de isolamento da tubagem

3.3.6 Entrada de Ar Fresco

A unidade refresca a sua casa com um tubo através da Entrada de Ar Fresco.



3.3.7 Fiação Elétrica

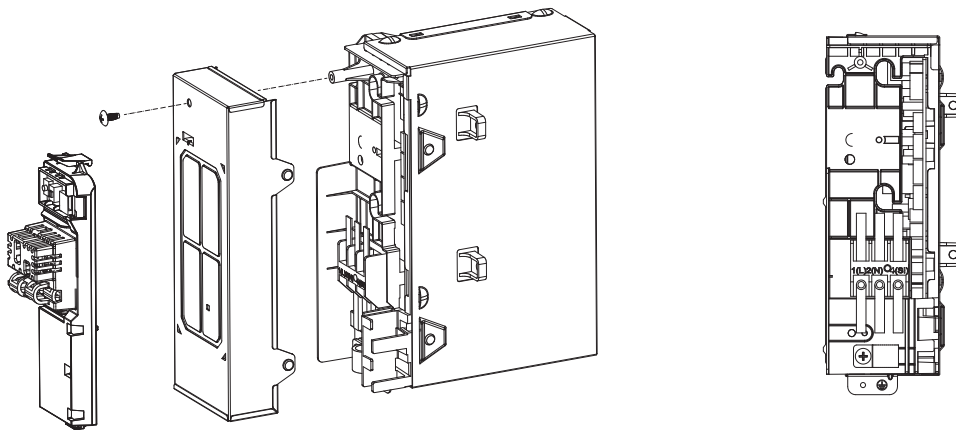
3.3.7.1 Verificação Geral



- Ao apertar a fiação, use o material de fixação incluído para evitar que a pressão externa seja exercida nas conexões da fiação e fixação firme.
- Ao fazer a fiação, verifique se a cablagem está organizada e não faz com que a tampa da caixa de controle fique presa e feche a tampa firmemente. Ao anexar a tampa de controle, certifique-se de não apertar os fios.
- Fora da máquina, separe a fiação fraca (controle remoto e fiação de transmissão) e fiação forte (terra e cablagem da fonte de alimentação) pelo menos 50 mm para que não passem pelo mesmo lugar juntos. A proximidade pode causar interferência elétrica. Mau funcionamento e ruptura.

3.3.7.2 AVISO

- Levante a tampa do sensor, remova a tampa frontal da placa metálica (1 parafuso) e conecte a fiação derivada ao bloco de terminais.
 - (1) Tira as extremidades do fio. (15mm)
 - (2) Combine os fios com os números dos terminais nos blocos de terminais das unidades interna e externa e fixe firmemente os fios nos terminais correspondentes, de acordo com o diagrama de fiação elétrica.
 - (3) Conecte o fio de energia ao terminal principal.
 - (4) Conecte o fio terra ao furo com um símbolo “⊕”
 - (5) Conecte o fio do controle remoto à caixa de terminal auxiliar de acordo com o diagrama de fiação elétrica.
 - (6) Puxe os fios para certificar-se de que eles estão bem fixados e, em seguida, retenha os fios com o suporte do fio.
 - (7) Certifique-se de que os fios não entrem em contato com o conduto de metal para o trocador de calor.



Nota: Um cabo está conectado ao terminal para o padrão de fábrica. Remova o cabo antes de fiação.



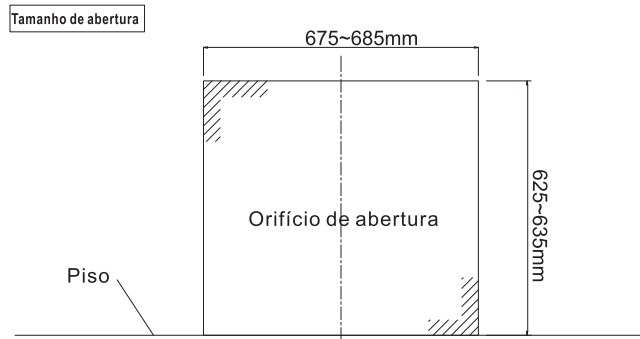
- Se os fusíveis estiverem queimados, ligue para a agência de serviço para substituir. Por favor, não faça nada por si mesmo, caso contrário, a ação pode resultar em acidente, por exemplo, choque.
- Não use cabos roscados, fios entrançados, cabos de extensão ou conexões de starburst, pois eles podem causar superaquecimento, choque elétrico ou incêndio.
- Não use peças elétricas compradas localmente dentro do produto. (Não ramifique a energia para a energia de drenagem, etc., do bloco de terminais.) Isso pode causar choque elétrico ou incêndio.

3.4 Instalação de Meio Escondido

Somente itens peculiares a este método de instalação são fornecidos aqui. Veja 3.3 Instalação Exposta para instruções adicionais.

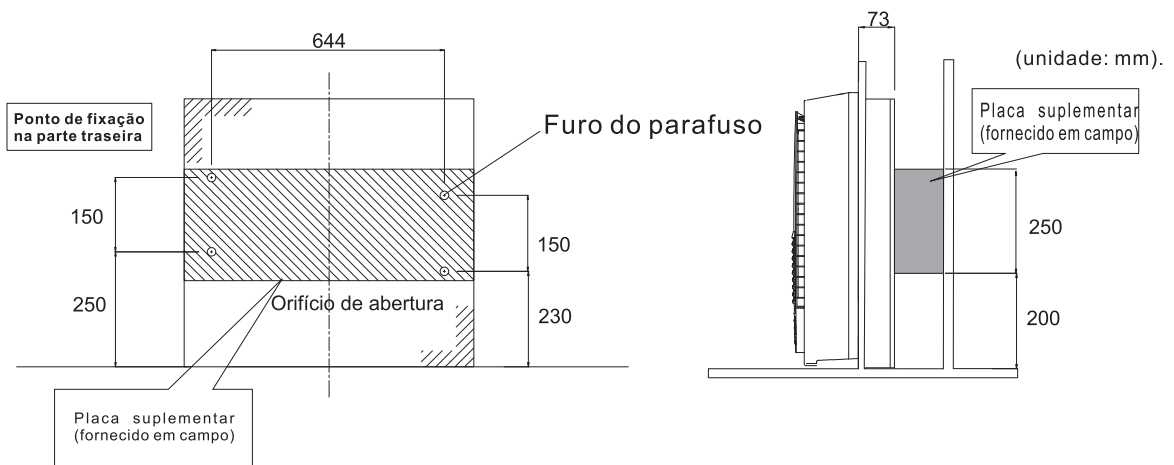
3.4.1 Furo de parede

- Perfure um furo da parede se os tubos e cabos passam através da parede



3.4.2 Instalação da placa suplementar para fixação da unidade principal

- A parte traseira da unidade pode ser fixada com parafusos nos pontos mostrados na ilustração, conforme abaixo. Certifique-se de instalar a placa suplementar de acordo com a profundidade da parede interna.



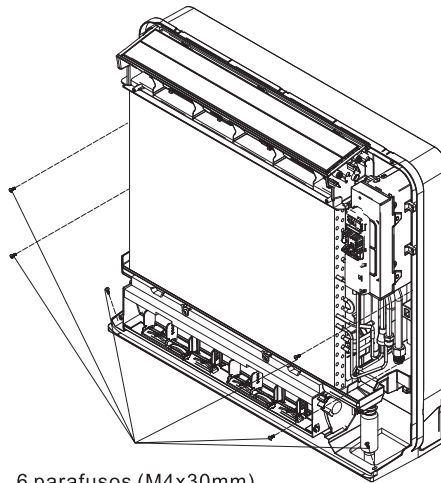
- A placa suplementar para instalar a unidade principal deve ser usada, ou haverá um espaço entre a unidade e a parede.

3.4.3 Tubulação de refrigerante

- Consulte 3.3.1 Tubulação de refrigerante em 3.3 Instalação da Unidade Exposta.

3.4.4 Instalar a unidade interna

- (1) Remova o painel frontal
- (2) Conecte a unidade interna à parede e fixe-a com parafusos em 6 locais (M4x30mm).



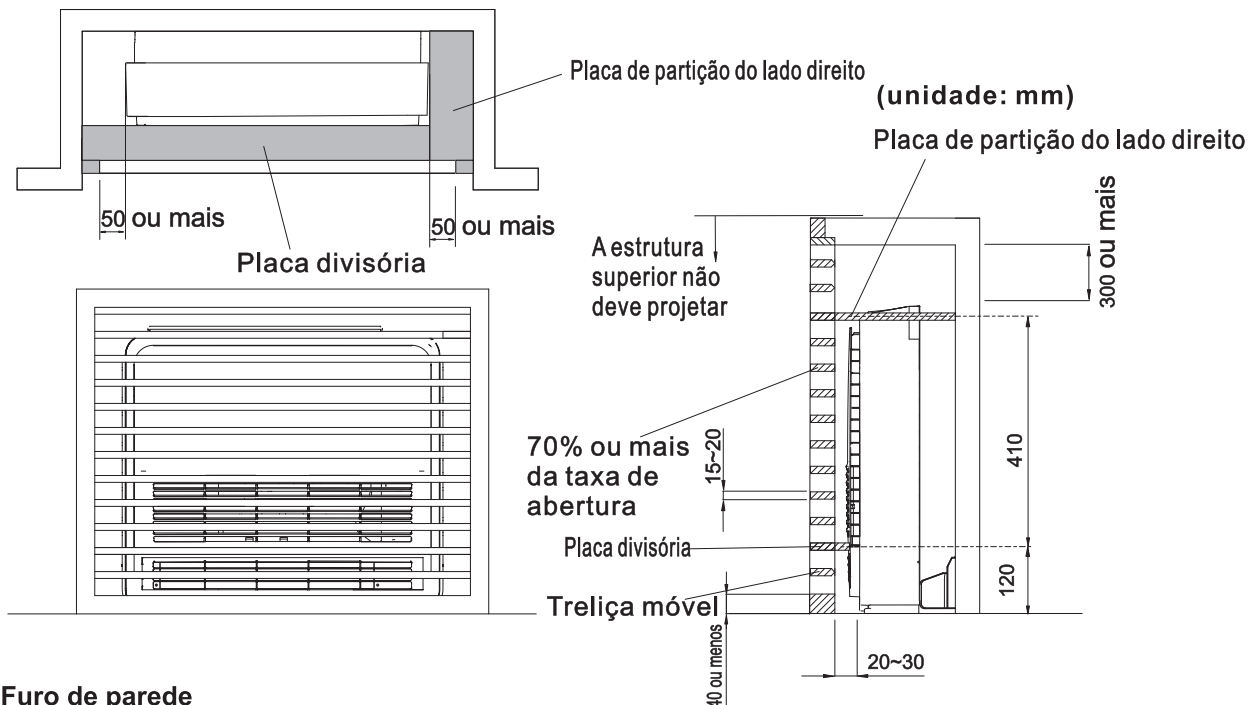
- Use a borda da bandeja de drenagem para a projeção horizontal da unidade interna.
- Instale o jato da unidade interna contra a parede.

3.5 Instalação Escondida

Somente itens peculiares a este método de instalação são fornecidos aqui. Veja 3.3 Instalação Exposta para instruções adicionais.

Instale a unidade de acordo com as instruções abaixo. Não fazer isso pode levar a falhas de resfriamento e aquecimento e à condensação dentro da casa.

- (1) Permita um espaço suficiente entre a unidade principal e o teto para não obstruir o fluxo de ar frio/quente.
- (2) Coloque uma placa de partição entre as seções de saída e de entrada.
- (3) Coloque uma placa de partição no lado direito.
- (4) Mude o interruptor de limite de sopro ascendente.
- (5) Use uma treliça móvel na saída de ar para permitir o ajuste da direção do fluxo de ar frio/quente.
- (6) O tamanho da treliça deve ser de 70% ou mais da taxa de abertura.



3.5.1 Furo de parede

- Consulte 3.3.1 Tubulação de refrigerante em 3.3 Instalação da unidade exposta.

3.5.2 Mudar o interruptor de fluxo de ar ascendente

- Mude o interruptor de fluxo de ar ascendente para LIGADO para limitar o fluxo de ar ascendente.
- (1) Remova a grelha frontal.
 - (2) Mude o interruptor na PCB na caixa de equipamentos elétricos para LIGADO.



CUIDADO

Certifique-se de ligar o interruptor de fluxo de ar ascendente. Não fazer isso pode causar resfriamento/aquecimento incompletos e formação de condensação dentro da casa.

4. Fiação Elétrica

4.1 Verificação Geral



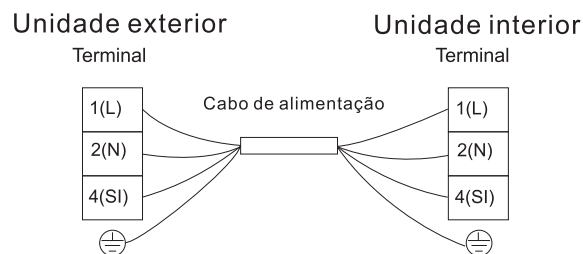
- Ao apertar a fiação, use o material de fixação incluído para evitar que a pressão externa seja exercida nas conexões da fiação e fixação firme.
- Ao fazer a fiação, verifique se a cablagem está organizada e não faz com que a tampa da caixa de controle fique presa e feche a tampa firmemente. Ao anexar a tampa de controle, certifique-se de não apertar os fios.
- Fora da máquina, separe a fiação fraca (controle remoto e cabeamento de transmissão) e a fiação forte (fiação de aterramento e fiação de fonte de alimentação) pelo menos 50 mm para que eles não passem pelo mesmo lugar juntos.

A proximidade pode causar interferência elétrica. Mau funcionamento e ruptura.



- Se os fusíveis estiverem queimados, ligue para a agência de serviço para substituir. Por favor, não faça nada por si mesmo, caso contrário, a ação pode resultar em acidente, por exemplo, choque.
- (1) Remova os parafusos na caixa de controle.
 - (2) Conecte o cabo de alimentação e o fio de terra ao terminal principal.
 - (3) O fio de controle remoto para a caixa de terminais subsidiária de acordo com o diagrama de fiação elétrica.
 - (4) Conecte a fonte de alimentação das unidades interna e externa ao terminal principal.
 - (5) Amarre o fio na caixa de controle com o grampo firmemente.
 - (6) Depois de terminar a fiação, sele o furo de fiação com o material de vedação (com a tampa) para evitar a entrada de água condensada e insetos.

4.2 Diagrama de fiação elétrica

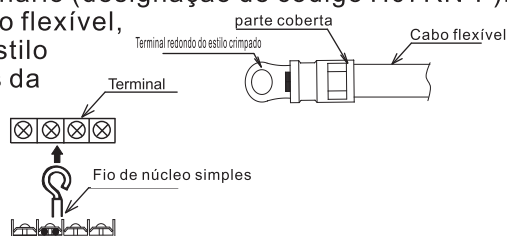


4.3 Comum

Capacidade do Modelo (kW)	Tamanho do Cabo de Transmissão EN60335-1
26~52	4 × 1.5mm ²

NOTAS:

- 1) Siga os códigos e regulamentos locais ao selecionar fios de campo, e todos os itens acima são do tamanho mínimo.
- 2) Os tamanhos de fio marcados na tabela são selecionados na corrente máxima da unidade de acordo com a Norma Europeia, EN60335-1. Use os fios que não são mais leves do que o cabo flexível revestido de policloropreno ordinário (designação de código H07RN-F). Ao conectar o bloco de terminais com um cabo flexível, certifique-se de usar o terminal redondo do estilo crimpado para conexão ao bloco de terminais da fonte de alimentação. Coloque os terminais redondos do estilo crimpado nos fios até a parte coberta e fixe-os no lugar. Ao conectar o bloco de terminais com um fio de núcleo único, certifique-se de executar a cura.
- 3) Quando o comprimento do cabo de transmissão é superior a 15 metros, um tamanho de fio maior deve ser selecionado.
- 4) Use um cabo blindado para o circuito de transmissão e conecte-o à terra.
- 5) Caso os cabos de alimentação estejam conectados em série, adicione a corrente máxima para cada unidade e selecione os fios abaixo.



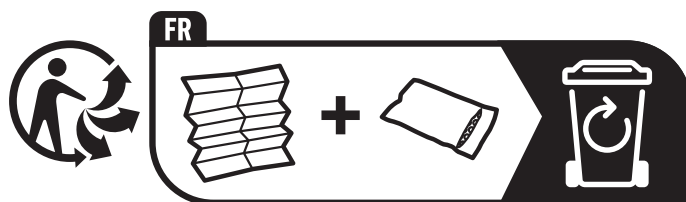
Seleção De Acordo com EN60335-1

Corrente i (A)	Tamanho do fio (mm ²)
i ≤ 6	0.75
6 < i ≤ 10	1
10 < i ≤ 16	1.5
16 < i ≤ 25	2.5
25 < i ≤ 32	4
32 < i ≤ 40	6
40 < i ≤ 63	10
63 < i	*

* No caso que a corrente exceda 63A, não conecte os cabos em série.

5. Teste de Funcionamento

Por favor execute uma corrida experimental de acordo com o manual de instalação de unidade ao ar livre.



Eliminação correta deste produto

Esta marca indica que este produto não deve ser eliminado com outros resíduos domésticos em toda a UE. Para evitar possíveis danos ao meio ambiente ou à saúde humana decorrentes do descarte descontrolado de resíduos, recicle-o responsabilmente para promover a reutilização sustentável dos recursos materiais. Para devolver o seu equipamento usado, utilize os sistemas de recolha e devolução ou entre em contato com o revendedor onde o produto foi adquirido. Eles podem levar este produto para a reciclagem ambientalmente segura.